



e-ISSN: 2319-8753 | p-ISSN: 2320-6710

IJIRSET

International Journal of Innovative Research in
SCIENCE | ENGINEERING | TECHNOLOGY

INTERNATIONAL JOURNAL OF INNOVATIVE RESEARCH

IN SCIENCE | ENGINEERING | TECHNOLOGY

Volume 10, Issue 5, May 2021

ISSN INTERNATIONAL
STANDARD
SERIAL
NUMBER
INDIA

Impact Factor: 7.512

9940 572 462

6381 907 438

ijirset@gmail.com

www.ijirset.com



Solar Power Monitoring System Using IOT

Neelanshi Palkar¹, Ashish Janwe², Ankit Yadav³, Ashlesh Chopde⁴, Vinit Borkar⁵, Poonam Bhad⁶

U.G. Student, Department of Electrical Engineering, Dr Babasaheb Ambedkar College of Engineering and Research,
Wanadongri, Nagpur, India¹²³⁴⁵⁶

ABSTRACT: This paper describes the monitoring of solar power by using internet of thing. The Internet of Things (IoT) refers to a system of interrelated, internet-connected objects that are able to collect and transfer data over a wireless network without human intervention. These IoT based technology is best suited for remote areas where solar Power plant are set up due to the ample availability of solar energy but regular access to the areas is very difficult and is not cost efficient. These IoT based technology are comprises of Solar Panel, NODE-MCU ESP8266, Voltage Sensor, Current Sensor, Temperature Sensor etc.

KEYWORDS: Solar panel, IoT, Things speaker, Cloud Computing, NODE-MCU ESP 8266

I. INTRODUCTION

The monitoring of solar power plant is needed to obtain optimum output power. This efficient output power plants while monitoring For connections, accumulation of dust or any other fault in solar panels affects the solar performance by lowering by output IOT based solar Power monitoring system allows solar monitoring over the cloud and check whether there is a problem in solar panel connection by lowering Output to find the problem occurs in solar panel. The NODE-MCU ESP8266 controller used to monitor the parameters in solar panel. They monitor the Solar panel and transmit the output to the IOT Thingspeak transmits the solar power parameters in the Thingspeak server. The parameters Is displayed by using GUI and when the output falls below the specific limit it alerts the user, there is a problem in solar panel connections Or any dust particles on the solar panel. This makes the monitoring of solar panel easier and ensure best power.

II. LITERATURE SURVEY

1. The development of monitoring online and the control of system is based on android platform by Bluetooth interface of mobile phone As a communication link it creates data exchange with the hardware of power conditioning unit, with the help sensing circuits the value of Current and the voltage measurement of the renewable source is processed by the micro controller of the microchip. Then the parameter are Sent to the personal computer over USB and the system is observed instantly. The system is monitored daily, weekly and monthly.
2. Goto, Yeshihiro, has explained that the integrated system that monitors and manages the has developed and it has started operation. The System can operate and maintain above 200,000 telecommunication power plants, which includes inverters, rectifiers and air conditioning Plants, is installed above 8000 buildings to improve the user interface which use the communication technologies and the information of Feature system and it integrate management and remote monitoring functions into single system.



III. PROPOSE SYSTEM

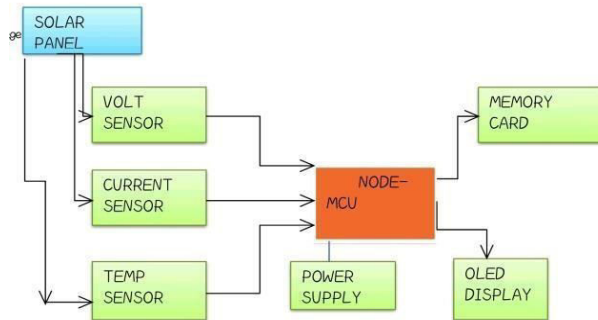


Figure:1 Block Diagram of Solar Power Monitoring System

IV. SOLAR PANEL

In these project we use 20w solar panel to measure current ,voltage and temperature. The electricity generated by capturing the sunlight is called as solar energy which is used for industrial purposes and in domestic purpose also. These solar panel plays a very crucial role in these setup. It is the main organ of these project

V. NODE-MCU ESP8266

The NODE-MCU act as a key processing elements in these proposed system which is developed by ESP8266 it is a one sort of microcontroller on single board that can be programmed using the NODE IDE. Having a operated voltage of 3.3 to 5V and it has inbuilt wifi module system in it.

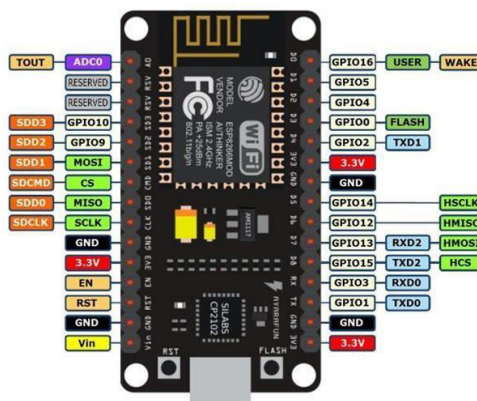


Figure 2: NODE-MCU ESP 8266 Pinout

VI. VOLTAGE (10.1)AND CURRENT SENSOR (5A)

As 5 A is a current power sensor which gives the total power consumed by the load and gives respective reading .in digital form to NODE-MCU ESP 8266 .NODE-MCU ESP 8266 is with loaded programing help us to calculate the exact reading of current and voltage of connected inductive load .

VII. TEMPERATURE SENSOR(NTC)

Negative temperature Coefficient (NTC) p/n 1600-10k works by translating temperature into resistance with Resistance decreasing as temperature increases .It has maximum temperature upto-150

VIII. WI-FI MODULE

All the calculated data from NODE-MCU ESP 8266 is further processed to Wi-Fi module .These Wi-Fi module store the information in IoT server or Cloud .In order to analyse the data on daily monthly and weakly basic

IX. ORGANIC LIGHT EMITTING DIODE (OLED)

OLED (Organic Light Emitting Diode) is a flat light emitting technology made by placing of thin film between two conductors display the IP address, voltage and current rating and temperature on OLED

X. SYSTEM IMPLEMENTATION

X.1 The implementation system is presented in form of step below.

Step 1: sensors read the data of solar panel in Analogue from.

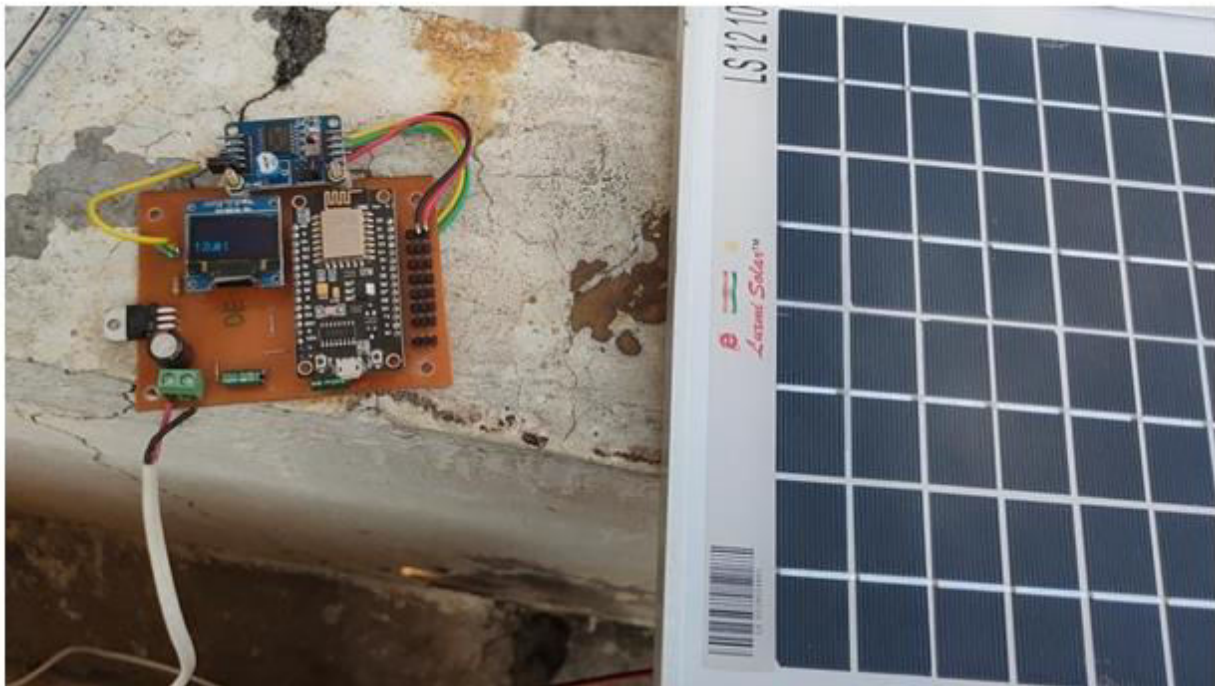
Step 2: This data is given to the microcontroller, We used NODE MCU EPS8266 microcontroller.

Step 3: That data convert into digital from using microcontroller.

Step 4: Digital signal coming from microcontroller is easy to access in our digital gadget with help of wifi module.

Step 5 : This same data will appear on the OLED screen.

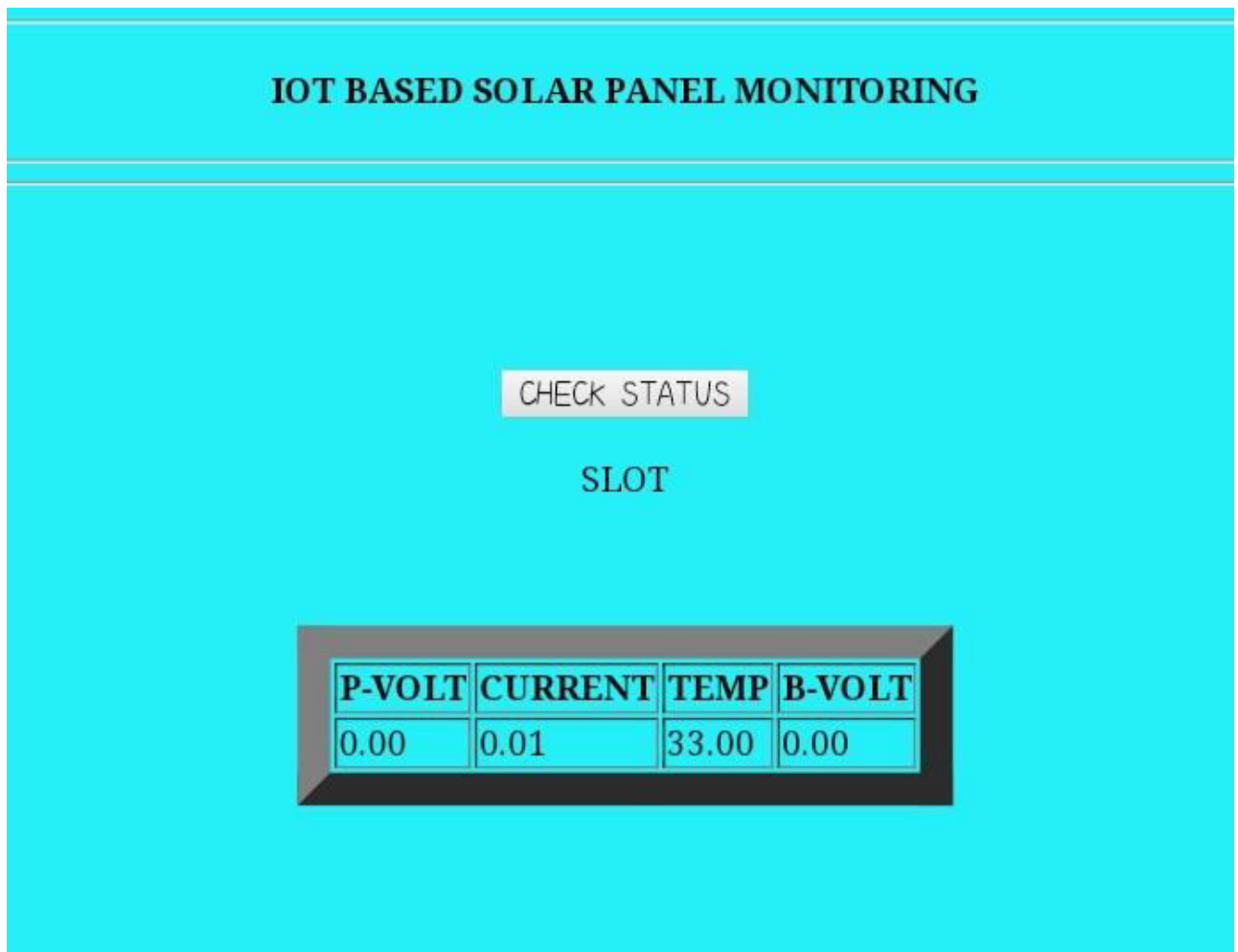
Step 6: Using Memory card module we can store the data of different parameter at any time.





X.2 Software setup

The open-source Arduino Integrated Development Environment - or Arduino Software (IDE) – is used in system for upload the code on to board. The sensor and circuit are connect to the Arduino for communicate with them to sense current and voltage. We write the code in c for the sensing and calculating the power and energy. Python is a most used high level, general purpose, interpreted and dynamic programming language. Python2 is used for fetching Arduino data. Python web applications have one central callable object that implements the actual application. we create web page of monitoring system. The monitoring page displays the table contains voltage, current, temperature values as shown in Table I. Below the table date and time is displaying.



XI. METHODOLOGY

In these project we use 20 W solar panel the output of solar panel is feed to the different sensors like voltage sensor ,current sensor and temperature sensor .These sensors are used to read the analog signal coming from the solar panel and theses analog signal is feed to the microcontroller ie., Node-MCU ESP8266 .In these microcontroller we have only one analog pin but there is requirement for more no of pin so we need a ADC(Analog to Digital Convert)i.e.,PCF8591 is a single chip and single supply low power data acquisition system has 4 analog pins inputs and 1 analog output pins. Digital signal coming from microcontroller is easy to access in our digital gadgets with help of in built wif module in our microcontroller. And we can also see the information or parameter in our OLED display. Their is also memory card to store the data and regain after any interval of time

XII. EXPERIMENTAL RESULT

Here we are able to see our readings in OLED display screen where we can find IP address, voltage, current rating and temperature rating.

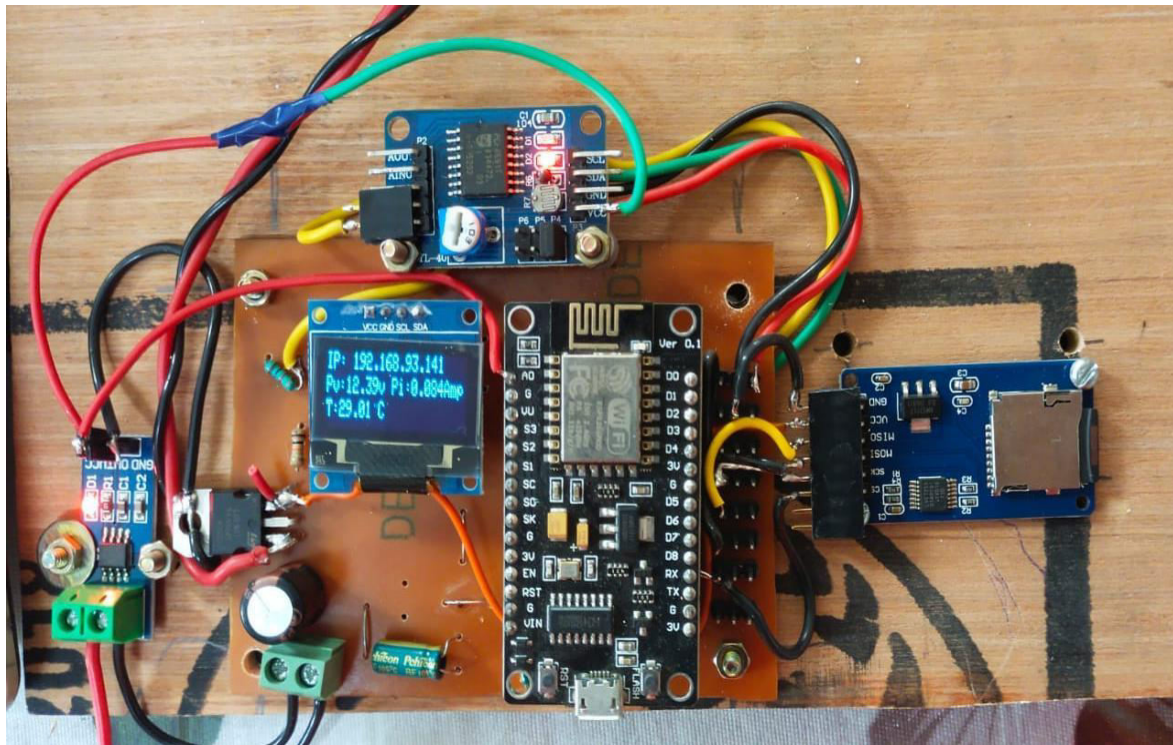


Figure 4: Experimental Result

XIII. CONCLUSION

These method has continues tracking of solar energy weekly, monthly and daily basis. The analysis became more simple and convenient and economically additional. Non conventional energy which can be endlessly relished by process. The solar array voltage generation is one of the most higher solutions for clean energy production by observation and controlling the voltage generated by our planned system we have tendency to might overcome the drawback of earlier proposed system. This technique contain a low operating cost and find its application in remote areas and additionally reduces man power.

REFERENCES

1. ALEXANDER S. AND GALKIN I., "CASE STUDY ON USING NON-INTRUSIVE LOAD MONITORING SYSTEM WITH RENEWABLE ENERGY SOURCES IN INTELLIGENT GRID APPLICATIONS." INTERNATIONAL CONFERENCE WORKSHOP AND POWER ELECTRONIC SYATEMS", 2015.
2. Byeongkwan Kang, Sunghoi Park, Tacklim Lee, Sehyun Park, "IoT-based Monitoring System using Tri-level Context Making Model Smart Home Services", 2015 IEEE (ICCE).
3. CharithPerera Chi, Harold Liu, Srimal Jayawardena, "The Emerging Internet of thing Market Place From an Industrial Perspective: A Survey", IEEE Transactions on Emerging Topic in Computing, december 2015
4. Friedemann M. And Floerkemeier C., "From the Internet of Computers to the Internet of Things." From active data management to Event-based systems and more. Springer Berlin Heidelberg, pp. 242-259, 2015.
5. "Internet of Things: Science Fiction or Business Fact?" (PDF). Harvard Business Review. November 2014. Retrieved 23 October 2016.



6. Jayavardhana G. Et. Al., "Internet of Things (IoT): A vision, architectural elements, and future directions." Future generation computer Systems, 29(7):1645- 1660, 2015.
7. Li W. And Liu K.-H., 2017. "Implementation of a web-based real-time monitoring and control system for a hybrid wind-PV-battery
8. Renewable energy system." Intelligent Systems Applications to Power Systems, ISAP 2017. International
9. Conference on. IEEE, 2017.
10. Mayamiko N., Zennaro M. And Bagula A., 2016. "SM 2: Solar monitoring system in Malawi." Kaleidoscope: The Fully Networked Human?-Innovations for Future Networks and Services (K-2011), Proceedings of ITU. IEEE, 2016.
11. Purusothaman S.R.R. and Dhiwaakar et al., 2017. "Implementation of Anrduino-based multiagent system for rural Indian microgrids."



INNO  **SPACE**
SJIF Scientific Journal Impact Factor

Impact Factor:
7.512

ISSN INTERNATIONAL
STANDARD
SERIAL
NUMBER
INDIA



INTERNATIONAL JOURNAL OF INNOVATIVE RESEARCH

IN SCIENCE | ENGINEERING | TECHNOLOGY

 **9940 572 462**  **6381 907 438**  **ijirset@gmail.com**



www.ijirset.com

Scan to save the contact details