



e-ISSN: 2319-8753 | p-ISSN: 2347-6710

IJRSET

International Journal of Innovative Research in
SCIENCE | ENGINEERING | TECHNOLOGY

INTERNATIONAL JOURNAL OF INNOVATIVE RESEARCH

IN SCIENCE | ENGINEERING | TECHNOLOGY

Volume 13, Issue 4, April 2024

ISSN INTERNATIONAL
STANDARD
SERIAL
NUMBER
INDIA

Impact Factor: 8.423

9940 572 462

6381 907 438

ijirset@gmail.com

www.ijirset.com

Automatic Power Factor Correction with All Power Measurements over Lora Wireless Communication

Prof. Pallavi Mankar¹, Mayur Sawarkar², Manasvi Khurpade³, Namrata Ghuse⁴,
Shraddha Ganjare⁵, Harsha Kadu⁶, Punam Khatke⁷

Assistant Professor, Department of Electrical Engineering, P. R. Pote Patil College of Engineering & Management,
Amravati, Maharashtra, India ¹

Students, Department of Electrical Engineering, P. R. Pote Patil College of Engineering & Management, Amravati,
Maharashtra, India ^{2,3,4,5,6,7}

ABSTRACT: Automatic power factor corrector is designed to improve power factor automatically whenever power factor falls below a certain level. Efficient generation of power at present is crucial as wastage of power is a global concern. As we know, the demand for electrical energy is increasing day by day. Power factor measures a system's power efficiency and is an important aspect in improving the quality of supply. This project presents an embedded system for automatic power factor correction with comprehensive power measurements via LoRa wireless communication. It comprises two Arduino Uno-based modules for both transmission and reception., Data exchange is achieved through two LoRaWAN modules over a 100-metre range, with real-time power factor and correction data displayed on an LCD at the receiver end. The heart of the system is a capacitor bank equipped with relay switching, intelligently optimising the power factor. A half HP motor serves as the load, exemplifying the practical benefits of efficient power factor correction in electrical systems, ultimately enhancing energy efficiency and reducing costs.

KEYWORDS: Power Factor, Automatic Correction, LoRa Wireless Communication.

I. INTRODUCTION

In today's world, efficient utilisation of electrical power resources is a critical concern. Electrical systems in industrial and commercial settings often grapple with the challenge of optimising power factor, a fundamental aspect of energy efficiency. This project introduces an embedded system designed to tackle this issue, offering automatic power factor correction through precise power measurements, all facilitated by LoRa wireless communication.

At its core, this system relies on two Arduino Uno-based modules, one dedicated to transmitting data and the other to receiving and visualising it. The transmitter features an Automatic Power Factor Correction (APFC) module, Data transmission occurs wirelessly over LoRaWAN, allowing for a range of up to 100 metres, while real-time power factor and correction information is displayed on an LCD screen at the receiver's end. The intelligent control of a capacitor bank, achieved through relay switching, ensures that the power factor is maintained at an optimal level. By incorporating a half HP motor as a representative load, this project exemplifies how improved power factor correction can lead to enhanced energy efficiency, reduced operational costs, and a more sustainable electrical infrastructure.

II. LITERATURE REVIEW

1. Liang, Ruobing, et al. In this paper, the author, Starting with two vital indicators (network transmission delay and packet loss rate), this study explored the coverage and transmission performances of LoRa in buildings in detail. The author deployed three LoRa receiver nodes on the same floor and eight LoRa receiver nodes on different floors in a 16-story building, respectively, where the data acquisition terminal was located in the centre of the whole building. The communication performance of LoRa was evaluated by changing the send power, communication rate, payload length and position of the wireless module. In the current research, the metrics of LoRa were quantified to facilitate its practical application in smart buildings. To the best of our knowledge, this may be the first academic research evaluating RTT performance of LoRa via practical experiments.

2. Mr. Juned Mulani, et al. Through this paper's methodology, the author has developed a power factor correction prototype that is developed using pic microcontroller, relays, potential transformer, current transformer and zero crossing circuit. The author stated that because of the low power factor there is a burden on the power system and transmission lines which is unnecessary. By correcting the power factor of the power system, efficiency of the power system can be improved.
3. Mr. Anant Kumar Tiwari, the paper "Power factor correction unit using 89C52" contains the use of 89C52 to measure and correct the power factor. The advantage of this research was that it shows the best method to measure power factor of systems but the drawback was the increase in response time of microcontrollers.
4. Zhiguo Pan and F. Z. The paper "Power factor correction unit using active series of filters" contains the use of active filters for the purpose of power factor correction which is a unique method for power factor correction. The advantage of this method was the use of active filters to improve power factor but the drawback was the use of active filters as the filters don't have sharp cut off frequencies and also there was no use of controllers the circuit was not automatic.
5. Stephen, J. C., The paper "Automatic Power Factor Improvement of Induction Motor using Arduino" contains practical realisation and correction of power factor across the induction motor. The advantage of this paper was it solved the problem of low power factor practically at induction motor using it as inductive load. The drawback was that the use of Arduino UNO boards increased the cost of the circuitry as it should be further connected to the controller.
6. G.Premkumar, The paper "Automatic power factor correction unit" contains the use of precision rectifier a XOR gate and use of Arduino board along with inductive and capacitive loads for the purpose of power factor improvement and correction. The advantage of this paper is that it measures the value of voltage and current and solves the problem of power factor and displays the corrected value but its drawback is the measurement of voltage and current value by using rectified sine wave and also use of precision rectifier which increases the size and complexity of circuit.
7. Noreen, Umber, et al. In this paper, the author focuses on the emerging transmission technologies dedicated to IoT networks. Characteristics of LoRa are based on three basic parameters: Code Rate (CR), Spreading Factor (SF) and Bandwidth (BW). This paper provides in depth analysis of the impact of these three parameters on the data rate and time on air.
8. Kabir, Yasin, et al. The authors aim of this project is to build an Automatic Power Factor Correction (APFC) Unit, which is able to monitor the energy consumption of a system and automatically improve its power factor. An open source energy monitoring library was implemented in the design for accurate power calculation. The APFC device calculates the reactive power consumed by a system's inductive load and compensates the lagging power factor using capacitance from a capacitor bank.
9. Ndukwe, Cherechi, et al. In this paper, the author proposes a LoRa-based wireless communication system for data transfer in microgrids. The proposed system allows connection of multiple sensors to the LoRa transceivers, and enables data collection from various units within a microgrid. The proposed system focuses on communications at the secondary communication level of the microgrid between local controllers of each distributed generation (DG) unit and the microgrid central controller due to the possibility of applying low-bandwidth communication systems at this level.
10. Kolobe, Lone, et al. In this paper, the author studied a systematic literature review of published refereed primary studies on LoRa applications was conducted using articles from 2010-2019. The author identified 21 relevant primary studies. These reported a range of different assessments of LoRa with 10 out of 21 reporting on novel use cases. The authors conclude that more work is needed in terms of field testing, as no articles could be found on performance/deployment in Botswana or South Africa despite the existence of LoRa networks in both countries.

III.RESEARCH METHODOLOGY

The project aims to enhance the efficiency of electrical systems, reduce operating costs, and demonstrate the benefits of automatic power factor correction, all while providing real-time monitoring and control capabilities over a wireless network. The proposed system will function by continuously monitoring the power factor of an electrical load. Data collected from the sensors will be processed by a microcontroller and then the microcontroller passes the transmitter module . a capacitor bank through relay switching to optimise the power factor. This data, including power factor readings and correction information, will be transmitted wirelessly over LoRaWAN to the receiver side, where it will be displayed in real-time on an LCD screen. By intelligently managing the power factor correction process, the system will ensure efficient power utilisation, reduce energy wastage, and ultimately lead to cost savings in various industrial and commercial applications.

IV.BLOCK DIAGRAM

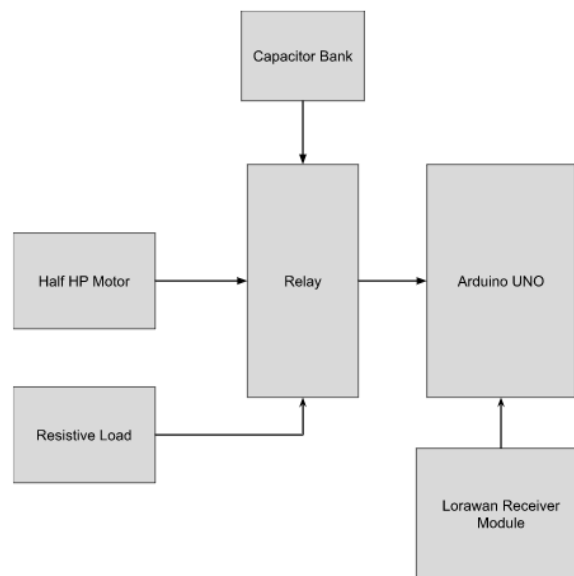


FIGURE 1. TRANSMISSION SYSTEM

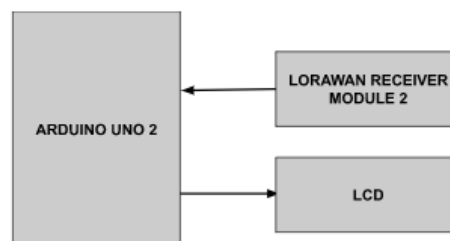


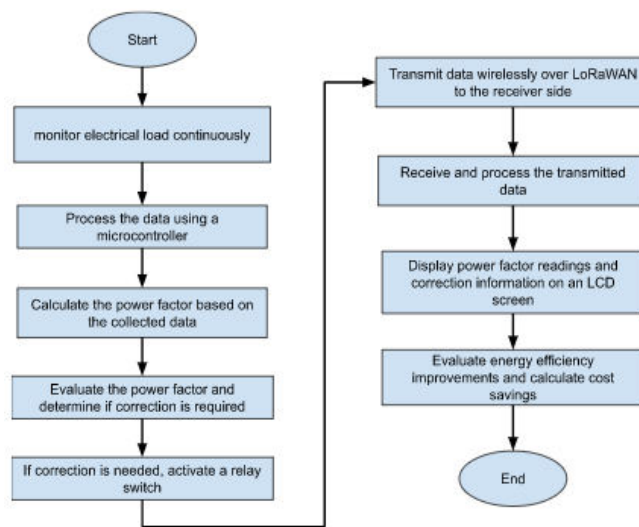
FIGURE 2. RECEIVER SYSTEM

V. DESCRIPTION

Block Diagram 1 - First block diagram shows the transmitter system which shows that In this project we used Arduino Uno as a microcontroller, a half HP motor as an input device and we used a lorawan SX1278 module, relay, capacitor bank as an output device.

Block Diagram 2 - Second block diagram shows the receiver module which shows that we used Arduino Uno as a microcontroller, and we used a lorawan receiver module as an input device in it. And an LCD as an output device.

VI. FLOW CHART



CIRCUIT DIAGRAM

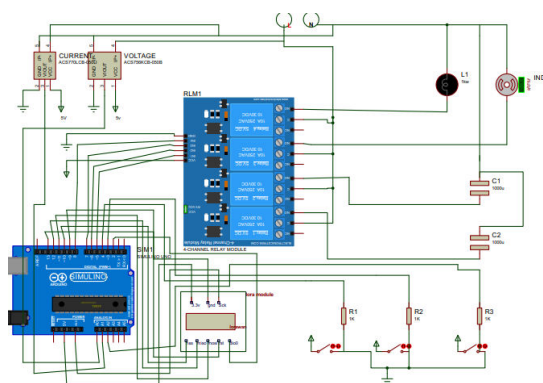


FIGURE 3. TRANSMISSION CIRCUIT DIAGRAM

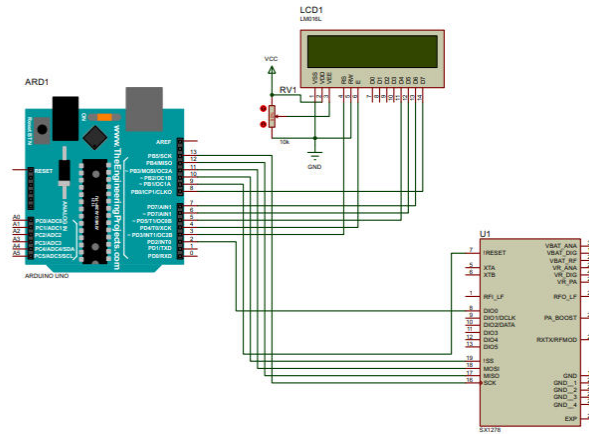


FIGURE 4. RECEIVER CIRCUIT DIAGRAM

VII. SYSTEM REQUIREMENT

HARDWARE REQUIREMENT

1. Arduino Uno
2. Half HP Motor
3. LoRaWAN Sx1278 Module
4. LCD
5. Capacitor Bank
6. Relay

SOFTWARE REQUIREMENT

1. Arduino IDE
2. Proteus

VIII. IMPLEMENTATION

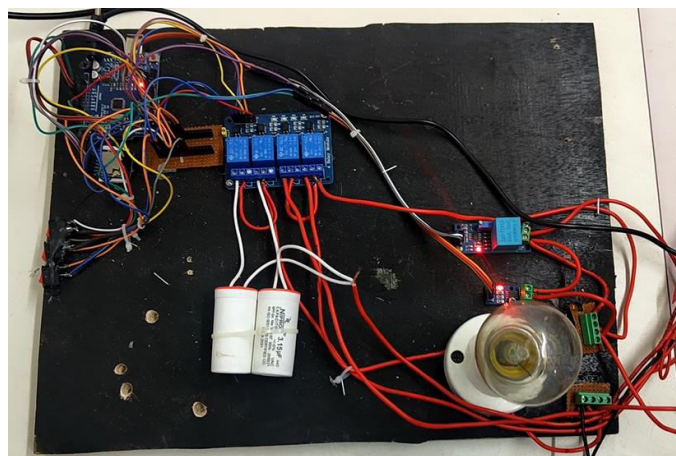


FIGURE 5. EXPERIMENTAL SETUP

IX. RESULT

Case 1. No Load Connected

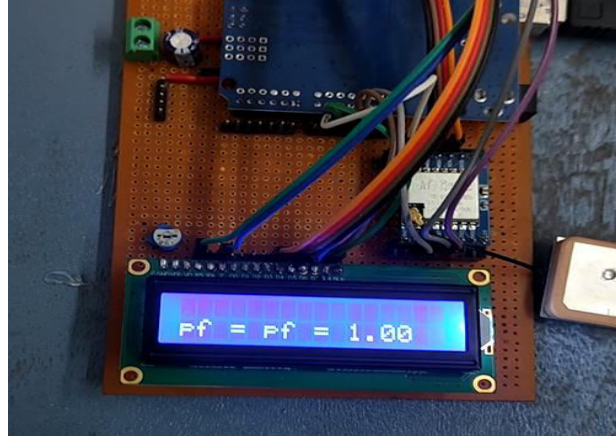


FIGURE 6. POWER FACTOR AT NO LOAD CONNECTED

In the first scenario, with no load connected, the power factor reaches an optimal value of 1, indicating efficient utilisation of electrical power as there is no reactive power consumption.

Case 2: Resistive Load Reading



FIGURE 7. POWER FACTOR AFTER RESISTIVE LOAD ON

In the second case, when a resistive load is introduced, the initial power factor is measured at 0.99, a slight decrease by 0.1 from unity, potentially due to small reactive components in the load or measurement inaccuracies.

Case 3: Inductive load and capacitive load Reading

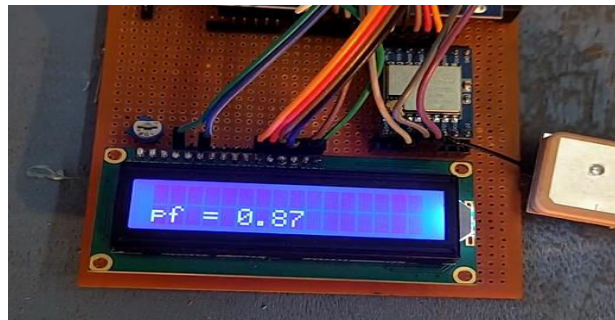


FIGURE 8. POWER FACTOR AFTER INDUCTIVE LOAD

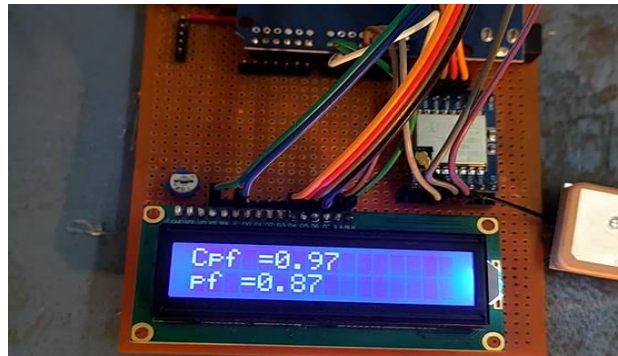


FIGURE 9. POWER FACTOR AFTER CAPACITIVE LOAD ON

In the third case, involving both resistive and inductive loads with an initially decreased power factor of 0.87, the activation of a capacitor results in an improved power factor of 0.97. This adjustment suggests that the capacitor compensates for reactive power, enhancing the overall efficiency of the electrical system.

X. CONCLUSION

In conclusion, this innovative embedded system for automatic power factor correction, empowered by LoRa wireless communication and comprehensive power measurements, offers a robust solution to enhance energy efficiency, reduce operational costs, and promote sustainable power usage in electrical systems. By continuously monitoring and optimising the power factor, this system exemplifies the benefits of real-time correction, ensuring that electrical infrastructure operates at its most efficient, cost-effective, and environmentally conscious capacity.

In addition to its significant contributions to energy conservation and cost reduction, this system also serves as an invaluable educational tool for understanding the principles and advantages of power factor correction. By implementing automated correction measures, it demonstrates the practical and far-reaching implications of efficient power management, further underlining the importance of adopting such technologies in modern electrical systems. As industries and businesses continue to prioritise sustainability and cost-efficiency, this system emerges as a vital step toward achieving these goals while simultaneously minimising the environmental impact of energy consumption.

REFERENCES

1. Liang, Ruobing, Liang Zhao, and Peng Wang. "Performance evaluations of LoRa wireless communication in building environments." *Sensors* 20.14 (2020): 3828.
2. Mr. Juned Mulani, Mr. Mahesh Jadhav, Mr. Saurabh Jadhav, Mrs. Dnyanada Hire, "A Review Paper On Automatic Power Factor Corrector". 2019. JETIR December 2019, Volume 5, Issue 12.
3. Mr. Anant Kumar Tiwari "Power Factor Correction unit using 89C52 microcontroller" International Journal Of Engineering Research And Applications ISSN: 2248-9622, Vol 4, Issue 2(Version 1), February 2019.
4. Zhiguo Pan and F. Z. Pen "Power factor correction unit using active series of filter" IEEE Transactions On Power Electronics Volume 20, Issue 1, January 2020.
5. Stephen, J. C. "Electric Machinery and Power System Fundamentals." 3rd.ed. United State of America: McGraw-Hill Companies, Inc (2020).
6. G.Premkumar, "Design, Fabrication and Implementation of Microcontroller Controlled Static Var Compensator," International Journal of Computer Applications, vol. 81, pp. 43-50, Nov 2021.
7. Noreen, Umber, Ahcène Bounceur, and Laurent Clavier. "A study of LoRa low power and wide area network technology." *2019 International Conference on Advanced Technologies for Signal and Image Processing (ATSIP)*. IEEE, 2019.
8. Kabir, Yasin, Yusuf Mohammad Mohsin, and Mohammad Monirujjaman Khan. "Automated power factor correction and energy monitoring system." *2022 Second International Conference on Electrical, Computer and Communication Technologies (ICECCT)*. IEEE, 2022.
9. Ndukwe, Cherechi, Tariq Iqbal, Xiaodong Liang, Jahangir Khan, and Lawrence Oriaghe Aghenta. "LoRa-based communication system for data transfer in microgrids." *AIMS Electronics and Electrical Engineering* 4, no. 3 (2020): 303-325.
10. Kolobe, Lone, Boyce Sigweni, and Caspar K. Lebekwe. "Systematic literature survey: Applications of LoRa communications." (2020). International Journal of Electrical and Computer Engineering (IJECE) Vol. 10, No. 3, June 2020, pp. 3176~3183 ISSN: 2088-8708.



INTERNATIONAL
STANDARD
SERIAL
NUMBER
INDIA



INTERNATIONAL JOURNAL OF INNOVATIVE RESEARCH

IN SCIENCE | ENGINEERING | TECHNOLOGY

 9940 572 462  6381 907 438  ijirset@gmail.com



www.ijirset.com

Scan to save the contact details