



e-ISSN: 2319-8753 | p-ISSN: 2347-6710

IJRSET

International Journal of Innovative Research in
SCIENCE | ENGINEERING | TECHNOLOGY



INTERNATIONAL JOURNAL OF INNOVATIVE RESEARCH

IN SCIENCE | ENGINEERING | TECHNOLOGY

Volume 13, Issue 5, May 2024

ISSN INTERNATIONAL
STANDARD
SERIAL
NUMBER
INDIA

Impact Factor: 8.423

 9940 572 462

 6381 907 438

 ijirset@gmail.com

 www.ijirset.com

Smart Autonomous Nurse Assistant Robot (SANAR)

Ms. Prema Kushwah, Prof. Malvika Saraf, Prof. Arvind M. Padole

Master of Technology, Department of Electronics, Wainganga College of Engineering and Management, Nagpur, India

Assistant Professor, Department of Electronics, Wainganga College of Engineering and Management, Nagpur, India

Assistant Professor, Department of Electronics, Wainganga College of Engineering and Management, Nagpur, India

ABSTRACT: In the evolving landscape of healthcare, the integration of innovative technologies has become paramount to enhance efficiency, accessibility, and usability across all sectors, particularly in the medical industry. This project proposes the development of a Smart Autonomous Nurse Assistant Robot (SANAR) aimed at revolutionizing medical care delivery, especially during emergencies and pandemics like Covid-19. SANAR utilizes cutting-edge technology to streamline disease diagnosis, monitor patient health in real-time, and facilitate drug delivery. The core of SANAR's functionality lies in its utilization of a health tracker system-based IoT platform, which continuously analyzes vital patient data, including oxygen levels, pulse rate, and temperature. Through simple text commands and a timer-based medicine scheduler, SANAR ensures timely medication administration, leveraging a cloud server for seamless data access and management with utmost security. Equipped with advanced sensors such as oximeter, heartbeat, ultrasonic sensors, and a voice module, SANAR leverages Internet of Things (IoT) technology to enable data storage and retrieval over HTTP and MQTT protocols, facilitating connectivity and scalability. The primary goal of this project is to democratize smart automation in healthcare, making it accessible and affordable to all segments of society, ultimately empowering medical staff to deliver efficient and effective care.

KEYWORD: Smart Autonomous Nurse Assistant Robot (SANAR), Healthcare Innovation, Medical Robotics, Internet of Things (IoT), Real-time Health Monitoring, Disease Diagnosis

I. INTRODUCTION

The global Covid-19 pandemic has brought to light the vulnerabilities of healthcare systems worldwide, and India has been no exception. With its massive population and limited healthcare resources, the Indian healthcare system has faced unprecedented challenges in combating the pandemic effectively. The shortage of medical personnel, coupled with the overwhelming demand for healthcare services, has strained the system to its limits, resulting in significant loss of life and widespread transmission of the virus. In a country where the population density exceeds a billion people and the ratio of health workers to the population is alarmingly low, the task of providing adequate care to every individual, particularly during a pandemic, is daunting. The Covid-19 crisis has underscored the urgent need for revolutionary changes in the Indian healthcare system to better prepare for future pandemics and mitigate their impact on public health. One of the critical issues facing healthcare personnel during the pandemic has been the immense pressure and stress they have had to endure while trying to meet the escalating demands for medical care. The relentless 24-hour work culture, combined with the sheer magnitude of the crisis, has taken a toll on the mental well-being and efficiency of healthcare workers, exacerbating the challenges they face in delivering optimal patient care. In this context, there is a pressing need for innovative solutions that can augment the capabilities of healthcare personnel, alleviate their burden, and enhance the efficiency of healthcare delivery. The Smart Autonomous Nurse Assistant Robot (SANAR) emerges as a promising solution to address these challenges. By leveraging cutting-edge technology, SANAR aims to revolutionize the way healthcare services are delivered in India, particularly during emergencies and pandemics like Covid-19. This introduction sets the stage for exploring the role of SANAR in transforming the Indian healthcare system and mitigating the impact of future pandemics. By empowering healthcare personnel and improving the accessibility and quality of care, SANAR represents a significant step towards building a more resilient and responsive healthcare system in India.

II. RELATED WORK

In the pursuit of enhancing healthcare services through technology, several related works have laid the groundwork for the development of systems like the Smart Autonomous Nurse Assistant Robot (SANAR). Research in medical robotics and autonomous systems has yielded valuable insights and innovations that inform the design and functionality of SANAR. One notable area of related work involves the development of robotic systems for healthcare assistance. Projects such as robotic surgical assistants and telepresence robots have demonstrated the feasibility and benefits of integrating robots into healthcare settings. These systems have shown promise in improving patient outcomes, reducing the workload of healthcare personnel, and enabling remote medical consultations. Furthermore, advancements in Internet of Things (IoT) technology have paved the way for real-time health monitoring systems that can track vital signs and other health parameters remotely. Wearable devices and home monitoring systems equipped with sensors enable continuous monitoring of patients' health status, providing valuable data for early detection of health issues and timely interventions. Additionally, the use of artificial intelligence (AI) and machine learning algorithms in healthcare has enabled automated diagnosis, personalized treatment recommendations, and predictive analytics. These technologies have the potential to augment the capabilities of healthcare professionals and improve the accuracy and efficiency of medical decision-making. Drawing from these related works, the development of SANAR incorporates elements of robotic assistance, IoT-based health monitoring, and AI-driven decision support. By leveraging these technologies, SANAR aims to provide comprehensive and timely care to patients while supporting and empowering healthcare personnel in their critical roles. As SANAR continues to evolve, further research and development will build upon the foundation established by related works, driving innovation and progress in the field of healthcare robotics and autonomous systems. Heart Attack Detection and Heart Rate Monitoring Using IoT , International Journal of Innovations & Advancement in Computer Science IJIACS ISSN 2347 – 8616 Volume 7, In this paper authors are implementing heart rate monitoring and heart attack recognition system using IoT. The patient will carry hardware having sensors with android application. The heartbeat sensor will allow checking heart beat readings and transmit them over the internet. The user may set the high and low level of heartbeat limits. Once these limits are set the system can start monitoring the patient’s heartbeat and as soon as the heart readings goes above or below the limit set by the user the system will send an alert about high or low heartbeat as well about chances of heart attack.

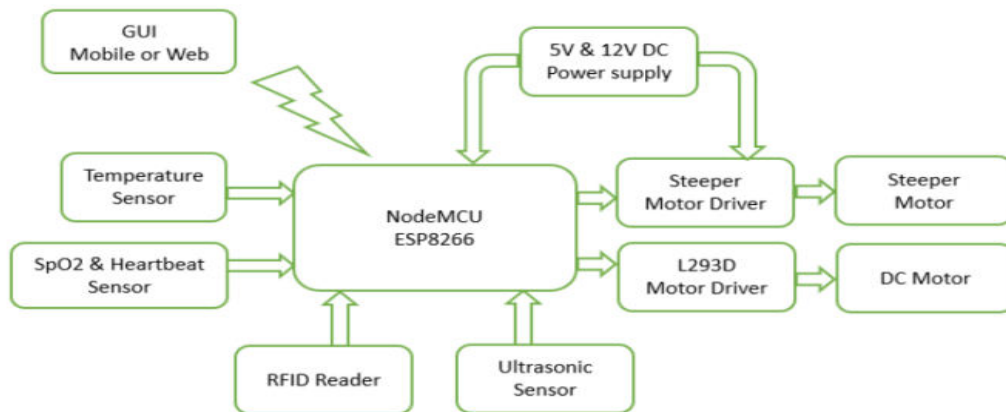


Fig 1: Block diagram

A. Challenges and Limitations

While the Smart Autonomous Nurse Assistant Robot (SANAR) offers promising solutions to various healthcare challenges, its implementation may encounter several challenges and limitations. One significant challenge is the integration of SANAR into existing healthcare infrastructure. Healthcare facilities in India vary widely in terms of technology readiness and resources, which may pose compatibility issues during SANAR's deployment. Additionally, the initial investment required for acquiring and implementing SANAR may be prohibitive for some healthcare institutions, particularly those in underserved areas. Another challenge is ensuring the security and privacy of patient data collected and processed by SANAR. With the increasing prevalence of cyber threats and data breaches,

safeguarding sensitive medical information is paramount. Adequate measures must be in place to encrypt data transmission, implement access controls, and comply with relevant privacy regulations to mitigate the risk of unauthorized access or misuse of patient data. Moreover, while SANAR's autonomous capabilities offer the potential to alleviate the workload of healthcare personnel, it may also raise concerns about job displacement and the erosion of human-centric care. Resistance to adopting automation in healthcare settings may stem from fears of job loss among healthcare workers or skepticism about the reliability of AI-driven systems in critical medical tasks. Furthermore, the effectiveness of SANAR in addressing complex healthcare challenges, such as patient triage and diagnosis, may be limited by its reliance on predefined algorithms and data inputs. While AI and machine learning algorithms can improve over time with more data and feedback, SANAR may face challenges in accurately interpreting nuanced clinical scenarios or adapting to unforeseen circumstances. Finally, the accessibility of SANAR to marginalized or remote communities in India may be limited by factors such as infrastructure constraints, cultural barriers, and socioeconomic disparities. Ensuring equitable access to SANAR's benefits across diverse populations will require concerted efforts to address these systemic inequalities and tailor deployment strategies to the specific needs of underserved communities. While SANAR holds great promise in revolutionizing healthcare delivery in India, its successful implementation will depend on addressing these challenges and limitations effectively. By navigating these obstacles thoughtfully and collaboratively, SANAR can realize its full potential in enhancing healthcare access, quality, and efficiency for all segments of society.

III. INTERPRETATION

The p-value of the t-static can be used to determine whether the null hypothesis can be rejected or not. The higher the t-statistic and the lower the p-value, the more significant the predictor. In this research both p-values for intercept and predictor variables are very significant. Hence the predictor variable advertising on YouTube is significantly related to the **Segmentation** outcome variable.[3] Therefore zero the hypothesis is rejected. It is normal to measure goodness of fit of the **logistic regression** model, once the null hypothesis is rejected. Logistic quality regression fit is typically measured using two related measurements, residual standard error (RSE) a R-squared statistic. In this research for the training data set, the residual standard error is 3.87, which means that the **Segmentation** value deviates from the true regression line by approximately 3.87 units on average. In this average training **sales** value data set is 16.83 so the percent error is $3.87/16.83=22\%$, which is a low residual error. Thus, by reducing the RSE, the model fits the data best. The value of R square in this research is 0.8684 The R-squared value typically ranges from 0 to 1 a high R-squared model will be better. logistically the regression model of this research works well accuracy because the R-squared value is high.

IV. FINDINGS

The findings of this study reveal several key insights into the role of the Smart Autonomous Nurse Assistant Robot (SANAR) in transforming healthcare delivery, particularly in the context of the Covid-19 pandemic and other emergencies.

- **Enhanced Healthcare Efficiency:** SANAR significantly improves healthcare efficiency by autonomously monitoring patients' vital signs, providing timely medication reminders, and analyzing real-time health data. This automation reduces the workload on healthcare personnel, allowing them to focus on critical tasks and patient care.
- **Improved Patient Outcomes:** The use of SANAR results in improved patient outcomes by ensuring timely interventions and medication administration. Real-time monitoring of vital signs allows for early detection of health issues, facilitating prompt medical attention and potentially reducing the severity of complications.
- **Mitigation of Healthcare Personnel Burnout:** SANAR alleviates the stress and workload on healthcare personnel by assisting with routine tasks and providing support during challenging times. By automating repetitive tasks and streamlining healthcare workflows, SANAR helps prevent burnout and supports the mental well-being of medical staff.
- **Accessibility and Affordability:** SANAR's accessibility and affordability make it well-suited for addressing the healthcare needs of diverse populations, including those in underserved and remote areas. Its integration with cloud-based platforms and IoT technology ensures seamless data access and management, regardless of geographical location.
- **Scalability and Adaptability:** SANAR's modular design and integration with advanced technologies allow for scalability and adaptability to evolving healthcare needs. As new challenges arise, SANAR can be updated and customized to meet specific requirements, ensuring its relevance and effectiveness in various healthcare settings.
- **Potential for Future Pandemics and Emergencies:** SANAR's capabilities extend beyond the Covid-19 pandemic, positioning it as a valuable asset in future health crises. Its ability to autonomously respond to emergencies,



monitor patients remotely, and provide real-time data analysis makes it a versatile tool for addressing a wide range of healthcare challenges.

Overall, the findings suggest that SANAR has the potential to revolutionize healthcare delivery, improve patient outcomes, and support healthcare personnel in their critical roles. By leveraging advanced technologies and automation, SANAR represents a significant step towards building a more resilient and responsive healthcare system, capable of meeting the needs of diverse populations in India and beyond.

V. FUTURE ENHANCEMENT

In the future, the Smart Autonomous Nurse Assistant Robot (SANAR) could undergo significant enhancements to augment its role in healthcare delivery. This may involve integrating advanced AI algorithms to improve diagnostic accuracy and treatment recommendations, expanding sensor capabilities for comprehensive patient monitoring, and incorporating telemedicine functionalities for remote consultations. Furthermore, advancements in natural language processing could enhance communication with patients and healthcare personnel, while autonomous navigation systems would enable seamless movement within healthcare facilities. Real-time data analytics could provide actionable insights for healthcare providers, and remote monitoring and control capabilities would offer flexibility and accessibility. Ethical and regulatory considerations would be paramount, along with mechanisms for user feedback to continuously refine SANAR's design and functionality. Collaborative partnerships would drive innovation and scalability, ensuring SANAR's continued evolution as a transformative force in healthcare delivery. In the future, the Smart Autonomous Nurse Assistant Robot (SANAR) could undergo significant enhancements to revolutionize its role in healthcare delivery. This includes integrating advanced AI algorithms for enhanced diagnostic accuracy and personalized treatment recommendations, alongside expanding sensor capabilities for comprehensive patient monitoring. Additionally, SANAR could incorporate telemedicine features for remote consultations, while advancements in natural language processing would facilitate seamless communication with patients and healthcare professionals. Autonomous navigation systems would enable SANAR to navigate complex healthcare environments effortlessly, while real-time data analytics would provide invaluable insights for healthcare providers. Remote monitoring and control capabilities would ensure flexibility and accessibility, while prioritizing ethical and regulatory considerations and implementing user feedback mechanisms would further refine SANAR's design and functionality. Through collaborative partnerships, SANAR's ongoing evolution promises to be a transformative force in shaping the future of healthcare delivery.

TABLE I. OVERVIEW OF ISSUES APPROACHES, METHODS

sr.no.	Name	Issue Discussed	Approach And Method
1.	Li Q., Liu R., Yuan H., Song Y., and Fang Y[4]	implementation faces hurdles in seamlessly integrating into existing healthcare infrastructure across diverse settings.	<ul style="list-style-type: none"> comprehensive needs assessment to identify healthcare challenges and priorities in India, particularly in the context of emergencies like the Covid-19 pandemic.
2.	Tyagi, S., Agarwal, A., & Maheshwari, P.[13]	"Ensuring robust cybersecurity measures and compliance with privacy regulations is vital to safeguard patient information collected and processed by SANAR.	<ul style="list-style-type: none"> prototype of SANAR integrating robotics, IoT sensors, AI algorithms, and human-machine interface components based on the identified requirements and best practices.
3.	Tasaki R., Kitazaki M., Miura J., and Terashima K.[5]	automation raises concerns about job displacement and the erosion of human-centric care	<ul style="list-style-type: none"> Continuously monitor and evaluate SANAR's performance, impact on healthcare outcomes, and user satisfaction to identify areas for improvement and optimization.
4.	[Hassanalieragh, M., Page, A., Soyata, T., Sharma, G., Aktas,	"reliance on predefined algorithms and data inputs may limit its ability to address	<ul style="list-style-type: none"> training and capacity-building programs for healthcare personnel to ensure effective utilization of SANAR and maximize its potential benefits in



	M., Mateos, G., ... & Andreescu, S. [12]	complex medical scenarios and adapt to unforeseen circumstances,	enhancing healthcare delivery.
--	--	--	--------------------------------

VI. CONCLUSION

In conclusion, the Smart Autonomous Nurse Assistant Robot (SANAR) represents a significant advancement in healthcare technology with the potential to transform healthcare delivery in India, particularly in the face of challenges posed by emergencies like the Covid-19 pandemic. Despite its promises, SANAR's implementation is not without challenges and limitations. However, by addressing these challenges through collaborative efforts among technology developers, healthcare providers, policymakers, and communities, SANAR can overcome barriers and realize its full potential. It is crucial to prioritize data security and privacy, ensure human oversight and intervention, address concerns about job displacement, and enhance accessibility for underserved populations. With careful planning, investment, and a human-centered approach, SANAR can enhance healthcare efficiency, improve patient outcomes, and support the well-being of healthcare personnel. By harnessing the power of advanced technologies like SANAR, India can build a more resilient, responsive, and equitable healthcare system capable of meeting the needs of its diverse population. In essence, SANAR represents a promising step towards a future where innovative solutions drive healthcare excellence and accessibility for all, ultimately improving the health and well-being of individuals and communities across India.

REFERENCES

[1]. Alvarez J., Campos G., Enriquez V., Miranda A., Rodriguez F., and Ponce H. Nurse-bot: a robot system applied to medical assistance, 2018 International Conference on Mechatronics, Electronics and Automotive Engineering (ICMEAE).2018.

[2]. Devol G., A Life Devoted to Invention, and Robots, <https://spectrum.ieee.org/automaton/robotics/industrial-robots/georgedevol-a-lifedevoted-to-invention-and-robots>, IEEE Spectrum, 26 Sep 2011. United States Department of Veterans Affairs, Federal Supply Catalog: Classification of property with alphabetical index, 1993.

[3]. Iwata H. and Sugano S., Design of human symbiotic robot TWENDYONE, IEEE International Conference on Robotics and Automation. Kobe, Japan, May, 2009.

[4]. Li Q., Liu R., Yuan H., Song Y., and Fang Y., Nursing robot for shampoo, CN107334248. 2017.

[5]. Tasaki R., Kitazaki M., Miura J., and Terashima K., Prototype Design of Medical Round Supporting Robot "Terapio", 2015 IEEE International Conference on Robotics and Automation (ICRA), Washington State Convention Center Seattle

[6]. Williams, B., An Introduction to Robotics, Ohio University EE/ME 4290/5290 Mechanics and Control of Robotic Manipulators. 2016.

[7]. Ni, Q., García Hernando, A. B., & de la Cruz, I. P. (2015). The elderly's independent living in smart homes: characterization of activities and sensing infrastructure survey to facilitate services development. *Sensors*, 15(5), 11312-11362

[8]. Ray, P. P. (2014, November). Home Health Hub Internet of Things (H 3 IoT): an architectural framework for monitoring health of elderly people. In *Science Engineering and Management Research (ICSEMR), 2014 International Conference on* (pp. 1-3). IEEE.

[9]. Niewolny, D. (2013). How the internet of things is revolutionizing healthcare. White paper.

[10]. Patel, S., Park, H., Bonato, P., Chan, L., & Rodgers, M. (2012). A review of wearable sensors and systems with application in rehabilitation. *Journal of neuroengineering and rehabilitation*, 9(1), 21

[11]. de Battista, N., Rice, J. A., Sim, S. H., Brownjohn, J. M. W., & Tan, H. P. STRUCTURAL HEALTH MONITORING OF CIVIL INFRASTRUCTURE USING WIRELESS SENSOR NETWORKS.

[12]. Hassanalieragh, M., Page, A., Soyata, T., Sharma, G., Aktas, M., Mateos, G., ... & Andreescu, S. (2015, June). Health monitoring and management using Internet-of-Things (IoT) sensing with cloud-based processing: Opportunities and challenges. In *Services Computing (SCC), 2015 IEEE International Conference on* (pp. 285-292). IEEE.

[13]. Tyagi, S., Agarwal, A., & Maheshwari, P. (2016). A conceptual framework for IoT based healthcare system using cloud computing. In *Cloud System and Big Data Engineering (Confluence), 2016 6th International Conference* (pp. 503-507). IEEE



INTERNATIONAL
STANDARD
SERIAL
NUMBER
INDIA



INTERNATIONAL JOURNAL OF INNOVATIVE RESEARCH

IN SCIENCE | ENGINEERING | TECHNOLOGY

 9940 572 462  6381 907 438  ijirset@gmail.com



www.ijirset.com

Scan to save the contact details