

# International Journal of Innovative Research in Science, Engineering and Technology

(A High Impact Factor, Monthly, Peer Reviewed Journal)

Visit: [www.ijirset.com](http://www.ijirset.com)

Vol. 7, Issue 12, December 2018

## A Review on Various Industrial Pallets

K Laxmikanth Reddy<sup>1</sup>, Pavan kumar<sup>2</sup>, Vamshi Kadali<sup>3</sup>, Singirala Navya Sree<sup>4</sup>

Final Year M.Tech Student, Department of Mechanical Engineering, Vidya Jyothi Institute of Technology, Aziz Nagar,  
Hyderabad, India <sup>1,3,4</sup>,

Assistant Professor, Department of Mechanical Engineering, Vidya Jyothi Institute of Technology, Aziz Nagar,  
Hyderabad, India <sup>2</sup>

**ABSTRACT:** Pallets play a very important role in whole distribution systems through the supply chain. Such a fact alone shows the importance of pallets in today's fast-growing global logistics. Due to the increasing number of regulations and policies regarding natural resource conservations and also sustainable development, the issue of pallet utilization, reuse and recycling matters became the core concern in most of the researches performed in this field. They are not only used in warehouses or distribution centers, but also in all those activities that require an efficient and effective method of transportation. To better understand business practices and external factors that impacts supply chain management (SCM), a survey of 1,500 U.S. wood pallet manufacturers was conducted.

**KEYWORDS:** Pallets, types of pallets, history, materials used in pallets, pallets used in DC(Distribution centers).

### I. INTRODUCTION

Over the previous decade, bundling and transportation has dependably been a vast industry segment in assembling. Transporting overwhelming gear, for example, hard core (HD) electro-hardware, is certifiably not a straightforward assignment. An exact answer for guarantee the quality and sturdiness while conveying securely without harming HD gear is required. A bundling framework by and large comprises of individuals, for example, pallet, box and cover or top. In this way, the framework, influenced by any of those individuals, is somewhat convoluted for outline. Different materials are right now being utilized for pallet, for example, strong wood, wood-based composites, paper, plastic, and metal. Among these, wood pallet has been utilized for over a century and strong wood remains the most widely recognized pallet material representing 95% of the stock and applications worldwide. Every year, around 450– 500 million new pallets are made and moved toward becoming piece of the substantial pool (about 2 billion) of pallet that are available for use in the United States. In the interim, in the European Union, approximately 280 million pallets are available for use each year. To deliver those overflowing new pallets every year, the pallet business devours immense amounts of assets. In 2005, it was assessed that 33% (3.8 billion board feet) of the aggregate hardwood stumple delivered in the United States was utilized for pallet fabricating, making it the single biggest utilization of hardwood lumber. Although wooden bundling was generally utilized, the shortcomings and confinements are as yet apparent. The deficiency of crude wood asset is the primary driver. As HD bundling has popularity for the material execution, including modulus of versatility (MOE), modulus of crack (MOR) and other primary attributes, most sorts of wood are not fit. Besides, a higher need is set on quality control as opposed to unwavering quality for the most part, while high caliber isn't totally identical to high dependability. Guaranteeing the wellbeing of the framework under the cost requirement is a troublesome assignment, yet to be sufficiently settled. Be that as it may, the customary unwavering quality strategy is built up by focusing on the framework level and disregarding the relationship of the part and framework, in this manner it isn't reasonable for entangled conditions. This article plans to acquaint an imaginative methodology with outline HD pallet framework dependent on the hypothesis of unwavering quality and extension the material trademark and segment and framework wellbeing. The unwavering quality-based outline strategies are spoken to and the impact is talked about.[1]

# International Journal of Innovative Research in Science, Engineering and Technology

*(A High Impact Factor, Monthly, Peer Reviewed Journal)*

Visit: [www.ijirset.com](http://www.ijirset.com)

Vol. 7, Issue 12, December 2018

## II. HISTORY OF PALLET

Pallet enormously affected coordination bundling and furthermore on the transportation frameworks. Pallet have been the essential significant part of the new streak material dealing with framework since 1940s. Anyway, the new palletization framework has been advanced in the ongoing decades yet the palletization has a significant old foundation. Some place about more than 100 years. That is the thing that it makes it such an indispensable piece of a transportation chain especially from a material dealing with viewpoint. (LeBlanc, 2002)

The utilization of present-day pallet in ventures comes back to the World War II. Pallet was use before that time yet in 1940s the nearness of pallet by and by was absolutely unmistakable. It was making the supply of military types of gear and related products considerably less demanding. Indeed, even before that time, there were a few types of unitization keeping in mind the end goal to convey a colossal measure of load for a specific reason however the rise of pallet tremendously affected the style of material dealing with. Pallet were presented in Europe after the WWII. The measurements of those pallet in those days were 813 x 1219 mm (32 x 48 inches). (LeBlanc, 2002)

The development of pallet was related to the presentation of lift trucks back in late 1900s. The shining of the mechanical transformation was a critical milestone in transportation bundling shapes and furthermore models. Before palletization there were a few sorts of payload bearers utilized for dealing with and furthermore security of products. Such bundling was created keeping in mind the end goal to hinder the necessities of the transportation chains in those days (Stjernman and Torstensson, 2006).

As specified before, pallet or palletization have been produced in different stages. It simply didn't happen at the same time. The explanation behind such a case is, to the point that rough pallet were rising related to the essential material taking care of supplies. The best case for such types of gear is the essential lift trucks that used to be used in the U.S. fabricating firms around then. A few specialists trust that pallet have been advanced dependent on the unrefined slips that utilized be the fundamental freight bearer for moving overwhelming unit loads. Slides were for the most part worked with an essential deck and stringers so as to tie the payload down on the deck (Stjernman and Torstensson, 2006).

Another extensive turning point in the historical backdrop of pallet was the contribution of the recently created lifting machine like Fork lift truck. Subsequent to presenting a more adjusted handler in 1915, the pallet use in material taking care of condition was fighting with various difficulties. Difficulties, for example, the required norms and similarity to the supplies utilized et cetera. These elements assumed an extremely fundamental job in framing the present pallet alongside the related controls and norms. There were a considerable measure change both in apparatuses and furthermore the system of dealing with. The change period was coursing a fast development with the goal that the pallet ended up one of the basic parts of the cutting edge material dealing with. The changes both in lifting types of gear and the load transporters put pallet among the components that expansion the coordinations chain proficiency, adequacy and furthermore unwavering quality. (LeBlanc 2002, A HISTORY OF EUROPEAN PALLET REUSE REPAIR and RECYCLING-National Association of Pallet Distributors (2003))

## III. PALLET DEVELOPMENT

As said before, pallet was risen in differing stages. The stages that have been built up because of the developing needs of the material taking care of in coordinations chains. At first the spacers for a simpler stacking by lift trucks and after that position of a board at the base of the slide to make pallet. It was created to be adjusted to the prerequisites of better stacking while at the same time stacking by lift truck extraordinarily fork lift trucks and furthermore as a result of the need of an effective lay excursion while putting away. The advancement was for the most part focused on encouraging the taking care of by the types of gear. (Anderson, 2002)

# International Journal of Innovative Research in Science, Engineering and Technology

(A High Impact Factor, Monthly, Peer Reviewed Journal)

Visit: [www.ijirset.com](http://www.ijirset.com)

Vol. 7, Issue 12, December 2018

## IV. REGULAR PALLET CLASSES AND MATERIALS

There are different sorts of pallets with various structures and materials relying upon where they are going to be utilized. It is exceptionally significant to comprehend the present pallet composes that are being utilized in the dispersion frameworks keeping in mind the end goal to have an expansive photo of the condition of such freight transporters. In this piece of this report the most predominant pallet sorts are being introduced. Material taking care of specialists isolate pallets into 2 principle classes of structures: [2]

**Stringer Pallet:** Stinger pallet is built from three parallel parts and a duckboard that is connected to these stringers. They are for the most part from timber and they regularly alluded to as stringers. These kinds of pallet are likewise considered as two-path pallet since it must be taken care of from two headings. (Clark, 2004)

**Square Pallet:** Block pallet structure comprises of the two parallel timbers that are likewise called stringers alongside opposite stringers. Such a structure makes Block pallet less demanding to deal with and steadier and more grounded as far as structure obstruction. These sorts of pallets are likewise alluded to as four-way pallets team to ability of being taken care of from any of four sides. (Clark, 2004)

## V. DEFINITIONS AND TERMINOLOGY

Since commonality with basic terms and definitions assumes an imperative job in perceiving the essential ideas of pallets and related parts, in this manner a portion of the generally utilized articulations are portrayed here dependent on NWPCA criteria.

According to Industry Standards and Specifications, Glossary of Terms, National Wooden Pallet and Container Association (NWPCA) following terms related with pallets have been set:

**Square Pallet:** a sort of pallet which is shaped with two or three squares between the pallet decks or underneath the upper (top) deck.

**Twofold Face Pallet:** is a sort of pallet that grasps upper and lower decks.

**Monetary Life:** is a term utilized for exhibition of number of treks that the pallet is performing, repairing points of interest and the financial advantages related with that.

**Trade Pallet:** is depicted as a pallet which is utilized among a specific number of clients. In such a case, the ownership of the pallet will move along to the following client with the dealt with item (Unit stack).

**Superfluous Pallet:** a pallet that is assigned for a specific number of handlings. After the numbers are achieved it very well may be arranged.

**Fork Entry:** is characterized as a passage in pallet structure with a specific end goal to help fit the fork for a simpler taking care of or arrangement.

**Four-Way Block Pallet:** is a pallet compose with fork passages in the two sides.

**Two-Way Entry Pallet:** is a pallet compose with probability of being dealt with just from the end doorways.

**Unit Load:** is the arrangement of items put on a pallet with the end goal of transportation, storage and so forth.[3]

## VI. PALLET UTILIZATION IN DISTRIBUTION CENTERS (DC)

In the present coordinations world, material dealing with has a significant remaining among the various parts. It is imperative since the majority of the issues with items, for example, fault and harm, security and furthermore alternate concerns can be started from the material taking care of stage. Such a view point brought up a considerable measure of issues with respect to the job of pallet usages in Distribution Centers (DC). The inquiries were essentially solicited upon the rate from pallet usage in the entire dispersion chain. On other hand, how valuable pallets are in facilitating and accelerating the circulation procedure. The responses to these inquiries can be comprehended by characterizing a method for pallet developments, the usage conditions and furthermore the idea of the business. What is implied by the idea of business is whether it is an assembling firm, a retailing structure or a distributor. The other way ob watching is to characterize the material stream diagram for the assigned Distribution Center and its diverse segments and parts and afterward feature the pallet use and related condition in that restricted guide. (Sandoval, 2003, Tsujimoto, 2003, Recommendations on Grocery Industry Pallet Systems (1992), White and Hamner, 2005)

# International Journal of Innovative Research in Science, Engineering and Technology

(A High Impact Factor, Monthly, Peer Reviewed Journal)

Visit: [www.ijirset.com](http://www.ijirset.com)

Vol. 7, Issue 12, December 2018

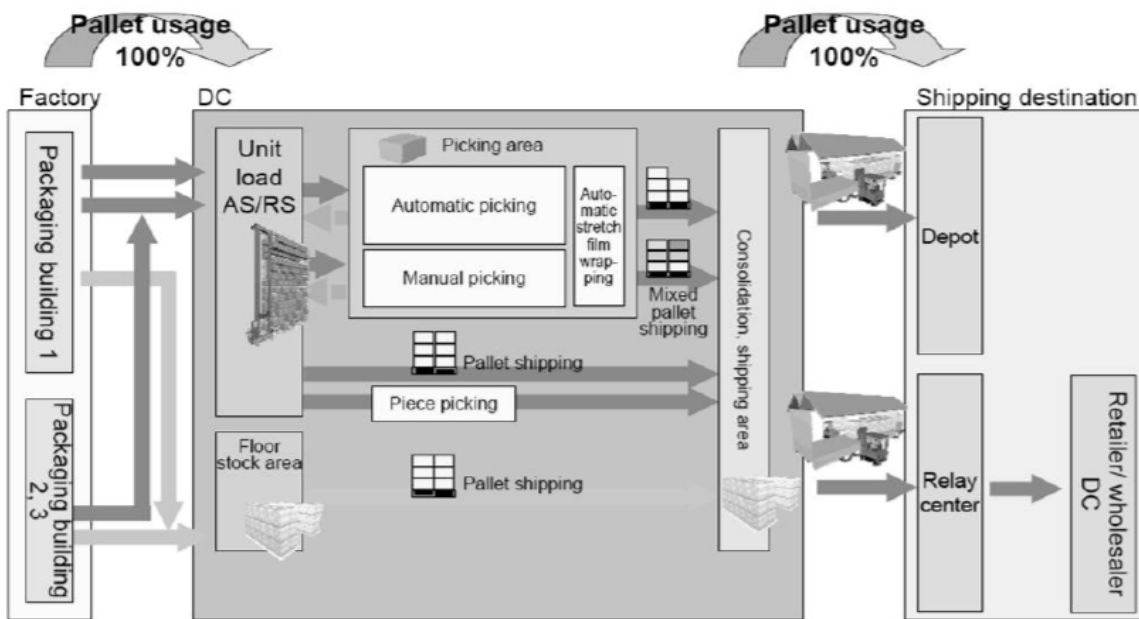


Figure 5 Method of Pallet utilization in a manufacturing environment. (Tsuji moto, 2003)

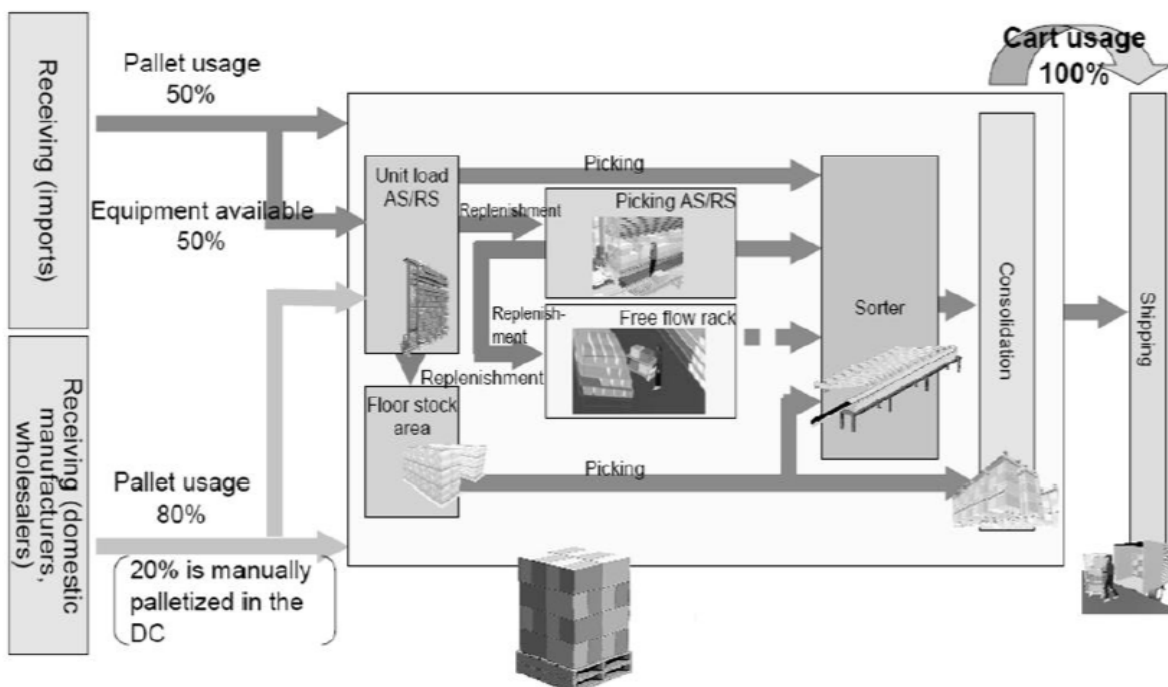


Figure 6 Different configuration of pallet utilization in a retail environment. (Tsuji moto, 2003)

# International Journal of Innovative Research in Science, Engineering and Technology

(A High Impact Factor, Monthly, Peer Reviewed Journal)

Visit: [www.ijirset.com](http://www.ijirset.com)

Vol. 7, Issue 12, December 2018

## 1. Issues with Using Pallets in DC: -

Notwithstanding the unavoidable job of pallet use in a productive coordinations chain, utilizing pallets can draw a few inconveniences as well. The majority of these inconveniences have been distinguished in the DCs. To have the capacity to make a more viable and effective process, distinguishing these troubles is the main need. From DC points of view, issues with utilizing pallets can be portrayed as underneath (Tsujimoto, 2003):

- a. The vast majority of the got items are from various areas with various models and estimating approaches. It has been one of the significant difficulties in front of wholesalers and pallet clients.
- b. The other issue is considered in getting of pallets. It is a significant test to reuse pallets with various gauges. For this situation, unification of pallets is the fundamental deterrent.[4]

## 2 ISO Pallet

The accompanying table demonstrates the most well-known kinds of pallets perceived by International Guidelines Organization (ISO):

Metric size (mm)	US size (inches)	Region
1200 x 1000	47.24 x 39.37	Europe, Asia
1200 x 800	47.24 x 31.50	Europe
1219 x 1016	48.00 x 40.00	North America
1140 x 1140	44.88 x 44.88	Australia
1100 x 1100	43.30 x 43.30	Asia
1067 x 1067	42.00 x 42.00	North America, Europe, Asia

## 4. Euro Pallet

The EURO pallet is one of the to a great degree utilized sorts of pallet in European businesses. The sizes and state of the EURO pallet and even the size and sort of embellishments are perceived by European Pallet Association (EPAL) for Manufacturers. The EURO pallet does not fit productively inside the ISO shipping compartment and somewhat more extensive holders are regularly utilized hence. (Euro Pallets: Good or Bad for Business? (2002) Uniform Standard for Wood Pallet, NWPCA (2007))



## 5. North American Pallet

A portion of the best utilized pallets in enterprises and coordinations frameworks in North America with respect to National Wooden Pallet and Container Association (NWPCA) are recorded in the table underneath. The most pervasive

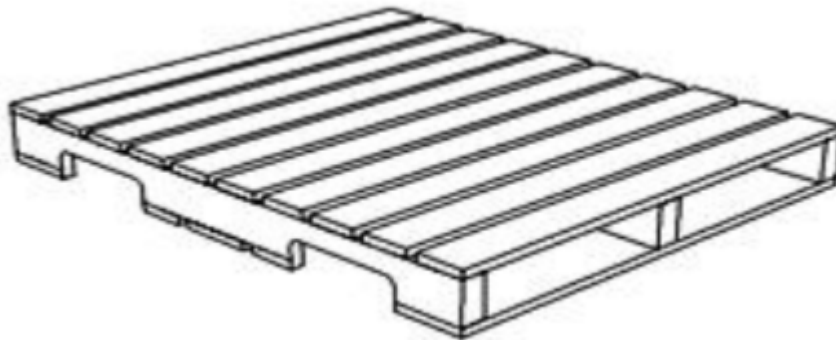
## International Journal of Innovative Research in Science, Engineering and Technology

*(A High Impact Factor, Monthly, Peer Reviewed Journal)*

Visit: [www.ijirset.com](http://www.ijirset.com)

Vol. 7, Issue 12, December 2018

one is the Grocery Manufacturers' Association (GMA) pallet, which represents 30% of every single wooden pallet created in the United States. (Pallet Market Assessment (1998), Clarke et al., 2005, Uniform Standard for Wood Pallet, NWPCA (2007))



Since the worldwide exchange between North America and Europe is moderately high in various segments, in this manner getting comfortable with a few pallet classes is an indispensable issue. Actually, as per Ray et al. (2006), the majority of the operational expenses in coordination fastens are viewed as from different institutionalizations uniquely for this situation North American Pallet institutionalizations. [5]

### **6. Australian Pallet :-**

The Australian Standard Pallet is a hardwood pallet with a particular size (1165 mm by 1165 mm) and squared shape which use in Oceanic Countries yet once in a while found different parts of the world. This pallet measure is totally suited for Australian holders and their rail way transportation framework yet it is somewhat poor and frail to fit through the ISO or other worldwide pallet principles around the globe. (Audit of residential and global pallet benchmarks and continuous operational and cost Implications to Australian Domestic and International Logistics, Strategic Design + Development (2002))



### **VII Materials in Pallet: -**

# International Journal of Innovative Research in Science, Engineering and Technology

*(A High Impact Factor, Monthly, Peer Reviewed Journal)*

Visit: [www.ijirset.com](http://www.ijirset.com)

Vol. 7, Issue 12, December 2018

Throughout the years, strong wood was the primary dominating crude material in pallet enterprises. It is fascinating to say that strong wood has been the reason for pallet development for over 70 years. Wooden pallets are as yet utilized broadly on the planet something around 90-95%. Be that as it may, as of now pallet purchasers have an enormous rundown of pallet decisions and diverse materials. There can be distinctive pieces of the pie relying upon the areas and the natures of organizations. The conceivable decisions that are basic in the market are wood, composite wood, plastic, metal and ridged papers. The accompanying table shows the pieces of the overall industry for various crude materials utilized in pallets. (Pallet Market Assessment (1998), Clarke et al., 2005, Uniform Standard for Wood Pallet, NWPCA (2007), Martens, n.d., Pallet Trends (2009))

## **1. Wood in Pallets: -**

Around 95% of pallets developed are made of wood. The majority of the wood composes utilized in pallet fabricating are either from hard wood or softwood. The upsides of utilizing wood in pallet producing are the firmness, toughness and continuance, quick accessibility and sensible low expenses. Be that as it may, there are some exceptional inconveniences with utilizing wood in the pallet fabricating some of which are the helplessness of splashing up (soggy) and bugs (creepy crawlies). (Beam and Deomano, 2007)

## **2. Plastics in Pallets: -**

Plastic pallets have been first acquainted with the market around 40 years back. Plastic pallets are mostly made of High-Density Poly Ethylene (HDPE), Polypropylene (PP) and Polyvinyl Chloride (PVC). Plastic pallets costs are generally around 3-6% more than comparable wooden composes. Notwithstanding, there are some sure advantages that are picked up by utilizing plastic pallets. A portion of these focal points have been communicated as better solidness, opposition against soggy and (bugs) and furthermore the matter of cleanliness or suppose cleanness. Since there are in every case a few inconveniences alongside favorable circumstances in this manner, some specific issues with respect to plastic pallets have been recognized. Applicable higher costs, troubles with repairing which is at some point unthinkable, issues in regards to security and fire concerns and furthermore inclination to simple harming are such hindrances.[6]

## **3. Metals in Pallets**

Metal pallets are blend of Carbon Steel, Stainless Steel and Aluminum which have recently under 1% of piece of the overall industry yet have decent perseverance through dissemination frameworks. (Pallet Trends (2009))

In spite of the fact that the Carbon Steel in costlier contrasted with wood and Stainless Steel and furthermore Aluminum despite everything it costs 3 times more than wood yet in any case, the long-haul cost will be lower than wooden pallets concerning the immaterial support and administration costs. (Brindly, 2002)

Disadvantages are considered as high generation cost, weight issue through the effect on human dealing with and rusting event. (Brindly, 2002)

Metal pallet generally utilized in shut circle situations where the item &cargo security have need and furthermore solidness of the pallets is the key point. The most well-known utilization of them is in Primary businesses incorporate car, substantial modern and military, pharmaceutical, grass tractors, bikes, government applications and tires. (Clark, 2004)

## International Journal of Innovative Research in Science, Engineering and Technology

(A High Impact Factor, Monthly, Peer Reviewed Journal)

Visit: [www.ijirset.com](http://www.ijirset.com)

Vol. 7, Issue 12, December 2018



### 4 Paper in Pallets

One of alternate materials utilized in pallet producing is paper. There are some extraordinary pallets composed of paper, for example, layered, honeycomb and strong fiberboard pallets are the assortments of paper pallets. Paper pallets have been utilized for around ten years. Because of the application limitations, paper pallets holding a piece of the overall industry of lower than 1% in pallet showcase. In any case, as of late, there has been a recognized pattern towards the utilization of some specific paper pallet composed like crease pallets. A portion of the inquiries about uncover that such a pattern is a direct result of the weight issues, reusing matter and low vermin rate. From reasonable viewpoints paper pallets hold an incredible remaining because of the vitality sparing, asset recuperation by utilizing the reused squanders in assembling of paper pallets. (Pallet Trends (2009))



### 5. Composite Wood

The other elective that has drawn the vast majority of the pallet makers' considerations is the Composite wood. Wood composites have different composites, for example, Plywood, OSB, LVL and some others. As indicated by the ongoing reviews, Composite wood pallets have approximately 2-4% of the pallets piece of the overall industry. A portion of the directions with respect to nation to nation or mainland fare and import handlings make some sort of pattern towards utilizing these kinds of materials in pallets producing. The positive things about composite wood in examination with comparable metal and plastics ones are the expense and upkeep issues. They are less expensive to make and less demanding to repair contrasted with the metal and plastic pallets. The clearest impediment of composite pallets contrasted with the comparable metal and plastic ones is the climate obstruction issue which is far not as much as plastic and metal pallets. (Martens, n.d.) [7]

### 6. Wood or Plastics

Because of the ongoing improvements in Technology and material science, the issue of better crude materials for pallet enterprises wound up fascinating. In view of the directed market examines, plastic is a more conceivable substitute for wood. As specified in past areas, both plastic and wood have their own points of interest and the impediments. Wood is



# International Journal of Innovative Research in Science, Engineering and Technology

(A High Impact Factor, Monthly, Peer Reviewed Journal)

Visit: [www.ijirset.com](http://www.ijirset.com)

Vol. 7, Issue 12, December 2018

a positive decision frame cost and repairing points of view. On alternate hands, plastic is a superior decision with regards to cleanness and some specific controls. Since there isn't a credible source with respect to the ecological effect of plastic pallets in a more drawn out timeframe, along these lines it is somewhat difficult to make a legitimate choice. Anyway, dependent on past investigations and examinations, wooden pallets are produced at lower costs and a far less vitality level is utilized to make them. It is fascinating to take note of that less vitality utilization can be a positive angle with respect to feasible improvement and the related accomplishments. The other actuality is the reusing issue which is very simpler for wooden pallets to be reused and reused contrasted with the plastic ones. (Pallet Trends (2009)

## VIII. ANALYSIS

This segment of the report is the most imperative piece of reasonable stage in our theory examine. The pallet use and its related issues will be precisely assessed and broke down. The investigation will be founded on the individual contemplations, master's analyses and encounters alongside the assessing of most recent written works and looks into. The initial segment of this section is the outcomes and accomplishments from the meetings with taking an interest specialist and the second part is the primary body investigation finished regarding the most recent written works, studies and perceptions taken amid the functional stage. [8]

### A. Meeting Results and the Achievements

For the outlined survey, there have been characterized 7 unique boards as for a few pallet use perspectives. These boards are Pallet Classification, Pallet Treatment, Pallet Impact, Sustainability, Risk and Safety, Trends, Loading and Cost. The taking an interest specialist have relatively taken same side with respect to the greater part of these boards. They are portrayed in subtle elements in this segment.

Pallet Classification: the greater part of the talked with organizations were managing Different Euro Pallet composes. The supposition is the pallet compose choice is area shrewd at any rate in the EU. Separated for Euro Pallet, a few organizations like IKEA and VOVLO have used some extraordinary sorts with various gauges as indicated by their recognized needs and necessities. For example, IKEA utilizes a quite certain kind of pallet which is called IKEA estimate pallet. The size for this pallet is 200 X 800 and it is made of wood. The other sort which commonly used in such organizations as IKEA is the Loading Ledge which is a plastic based bearer intended to shoulder stacks up to 5000lbs. the rest are creased paper pallets, Half Pallet estimating 600 X 800 and an exceptional metal pallet with one layer of plastic sheet over it. For VOLVO's situation, there is a VOLVO pallet standard which is like the Euro Pallet measuring 1225 X 820. Wooden pallets were the most utilized ones amid this examination with the exception of unique purposes and applications. Variables that urge the clients to utilize pallets were the cost issues, effortlessness, standard methodology, dealing with limit and the relative security contrasted with alternate kinds of transporters. Drivers and that lead the clients towards wooden, plastic, metal, creased paper and alternate composes are portrayed as underneath:

**1. Wooden pallets:** For wooden pallets the principle drivers were portrayed as Standard stage, Strength, institutionalized size, cost, weight and furthermore accessibility. There have been some back draws said in regards to utilizing wooden pallets in the pallet pools. The principle inconveniences that were recognized in wooden pallets were the expansion in weight in the event of dampness, dust issue, stacking and warehousing and the nuisances and cleanliness issues.

**2. Plastic pallets:** the most critical drivers in utilizing plastic pallets in pallet pools have been distinguished as cleanliness and security. Plastic pallets don't confront the issues viewing sterile controls so accordingly they could be cost savers at a few. In any case, by considering the high acquiring costs they are for the most part reasonable for uncommon requests and applications. The other issue with plastic pallets that the majority of the specialists hold the regular position in regards to it, was the combustibility of plastic or then again fire security. IKEA's stacking edge (760 X 45) is an astute decision for some specific purposes. Stacking and institutionalization are the two principle indicates the energized IKEA make such bearers.

**3. Layered paper pallets:** The fundamental reason that pallet clients utilizing the creased pallet compose is the ecological issues from a supportable point of view. The solidness, quality and soggy assimilation are the straightforward back draws.

## International Journal of Innovative Research in Science, Engineering and Technology

*(A High Impact Factor, Monthly, Peer Reviewed Journal)*

Visit: [www.ijirset.com](http://www.ijirset.com)

Vol. 7, Issue 12, December 2018

**4. Metal pallets:** As specified prior, metal pallets are for the most part used for unique applications and clients. Weight and cost are the primary issues in utilizing metal pallets. The metal pallets are specific for outbound transport. Contingent upon the sort of utilization there are a few alternatives. From a retailer's point of view plastic pallets can be a pattern paying little heed to cost factor. Then again wooden pallets cause a considerable measure of side expenses and impacts, for example, transportation cost for returning them, fuel utilization, outflow, illicit wood and bugs' issues. Alternate sorts of pallets like stacking edge in IKEA and the composite ones have a few back draws and advantages yet doubtlessly can't add to the recognizable proof without bounds patterns. Composite pallets can be more cleanliness, lighter, more solid, and more grounded. These alternatives can be accessible at sensible costs. Composite can likewise give a superior defensive usefulness.[9]

**Pallet Treatment:** According to the specialists, cost is the fundamental factor with respect to upkeep. In the event that the used pallets are repairable or fixable at a sensible cost then they merit settling with a specific end goal to expand their operational life to some degree. Generally offering them out, gift or fuel generation reasons for existing are the organized alternatives. For various pallet composes there are a few medications. For wooden pallet, which are the main sort, warm treatment as indicated by IPPC sanctions with respect to cleanliness and bugs controls is an accessible choice for most pallet clients and pallet pools. Reusing is the alternative if there should arise an occurrence of probability.

**Pallet Impact:** Sustainability of the entire drew in Logistics chain is the principle thought here. Being ecological benevolent and cost sparing are the two targets in this part. It implies pallet clients like to remain as practical as could reasonably be expected and at sensible consumptions. As a rule, pallet usage hugy affects the operational expense and costs of an organization. A large portion of these expenses are gotten from the developments of pallets, treating them like repairing and reusing and furthermore the general business affect. Then again organizations increase impressive sum effectiveness in their frameworks by utilizing pallets for material dealing with or at times stockpiling.

**Manageability:** Recycling and reusing choices are the fundamental worries under this class. The pallet clients must embrace their utilization examples to the present arrangements with respect to condition et cetera. In any case, cost of being maintainable can be an impediment later on. Sending the disposed of pallets to fuel producing station, landfills and furthermore reusing ports is a piece of a practical improvement.

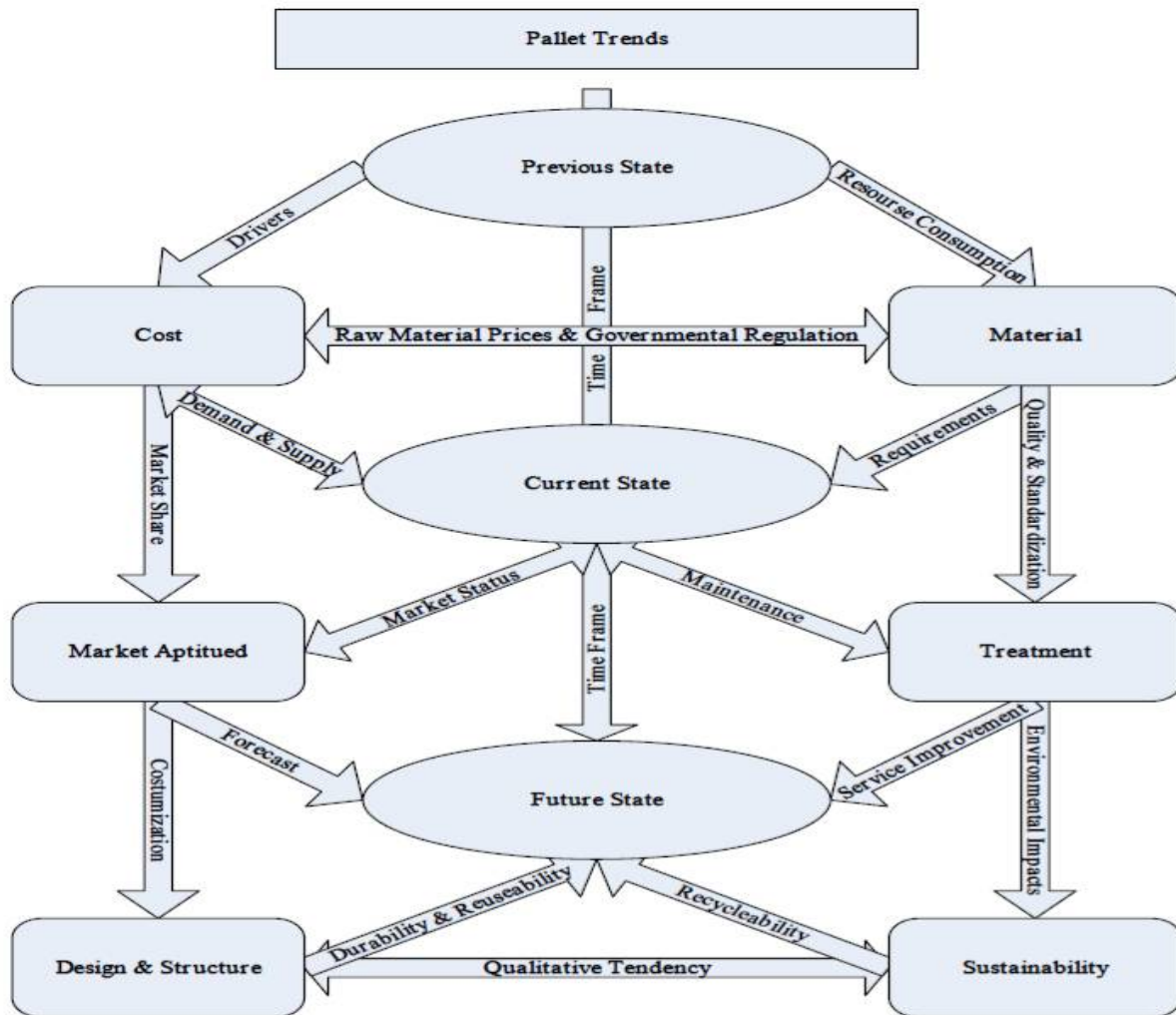
**Hazard Panel:** Risks can be classified into various classes. On account of pallets, following the standard security directions are the essential moves towards wellbeing and less hazard condition.[10]

# International Journal of Innovative Research in Science, Engineering and Technology

(A High Impact Factor, Monthly, Peer Reviewed Journal)

Visit: [www.ijirset.com](http://www.ijirset.com)

Vol. 7, Issue 12, December 2018



## B Pallet Demand and Market Aspects :-

As said in the past areas, 6 % of the entire pallet utilization rate is assigned to wooden pallets. Wood is the real crude material for 95% of the pallets built in the market. There is a rough approximation showing a decrement in the utilization of pallets in the created nations in spite of the fact that, there is been an incremental propensity saw in some different nations, for example, China. With regards to showcase part of pallet utilization there is just and just a single factor that decides the interest and utilization rate of pallets in assigned markets and that is the factor of crude material utilized in development of pallet. There have been a ton of studies and inquiries about directed over this factor keeping in mind the end goal to recognize a propensity towards a particular crude material use. Numerous pallet clients trust that the piece of the pie for various crude materials utilized in pallet development is probably going to tell the genuine figures behind different sorts of pallet piece of the pie. The accompanying table shows the reality with respect to piece of the pie issue in the pallet businesses:[11]

## International Journal of Innovative Research in Science, Engineering and Technology

*(A High Impact Factor, Monthly, Peer Reviewed Journal)*

Visit: [www.ijirset.com](http://www.ijirset.com)

Vol. 7, Issue 12, December 2018

Wood	95%
Composite Wood	2 to 4%
Paper	1%
Metal	1%
Plastic	1%

Pallet market shared based on raw materials used. (Anon., 2009)

### C. Substitute Materials: -

The discussion of substitute materials has been brought up in the ongoing years. In the event of pallets, plastic, metal, wood, composites and paper are the commonsense choices. Every one of these materials has a few preferences and furthermore numerous downsides yet what the vast majority of the specialists' trust that could recognize the pattern later on substitutes are reliant on a few criteria. There criteria are the cost, weight, accessibility, ease of utilization, clammy, dust and clean issues because of the strict directions forced by a few areas. [12]

Plastic happens to be a legitimate alternative because of a few advantages. Points of interest like end of upkeep cost, reusing, longer working life, less costs for transfer reason lastly clean medicines. On alternate hands there are a few back draws for plastic as a crude material for pallet. One the most critical one is the expense and the other one is the security and peril issues. Pallet stack fall, fire hazard and disfigurement because of the overweight stockpiling are the known drawbacks for plastic.[13]

Metal condition is like plastic to some degree. Paper and composite are the less requested one so they in all probability won't impact that much on the pattern. All things considered, wood is the most requested one since it has minimal effort, quality and sensible security.

### D. Configuration Trends for Pallets :-

Patterns in pallet structure are examined to be founded on various criteria, for example, Strength, solidness, dealing with ease, structure and toughness. As this exploration work uncovered, as per White (2009), the pattern regarding structure will be from stringer to square and furthermore frame unidirectional to border base. Anyway, there is a likeliness to push edge base towards the cruciform base one. [14]

## IX. CONCLUSION

In a general view and by the objective of having maintainable world; practical, squander reductive, earth defensive and regular plan of action additive pallet generation over the production network are a definitive acquisition of this examination.

Using the Logistics chain frameworks with order pallet pooling administration to accomplish operational productivity on generation, cost adequacy on dissemination and evaluated benefits on practical condition has weighty advances which are; pallet less transportation, sturdy pallet creation, pallet support, pallet squander reusing procedure and pallet pool organization creation.

In a particular view, pallet is one of the essential components for unitized material dealing with and circulation through the entire production network hence; pallet composes and their applications have an immediate relationship. It implies that pallets are assemble dependent on the idea of the business they are going to be utilized in. The pallet patterns and

# International Journal of Innovative Research in Science, Engineering and Technology

(A High Impact Factor, Monthly, Peer Reviewed Journal)

Visit: [www.ijirset.com](http://www.ijirset.com)

Vol. 7, Issue 12, December 2018

the conceivable basic changes are firmly relied upon the worldwide market patterns which are in the hands of pallet suppliers. Following the substitute material patterns which has been brought up lately because of maintainability concerns has ledpallet clients into another streak yet at the same time for some applications, wooden pallets are the fundamental fixation on account of the primary variables like expense and accessibility. Then again, advertise interest for wooden and plastic pallets will be expanded unequivocally and, in this way, the job of Third-Party Logistics (3PL) suppliers and pallet pool makers will be more recognized in not so distant future. Unidirectional based pallets like euro 1 pallets will be more valuable. Truth be told multi-usefulness of pallets in coordinations circles will be the subject of future market challenge.[15]

Be that as it may, with regards to strict exchange and natural directions, wooden pallets may not be considered as the best alternatives in the coming future yet as a swap for, composite pallets can be dependable substitutes. Composite pallets have impressive advantages, for example, light weight, less demanding reusing methodology and tidiness at a few. In the event of plastic pallets, recyclability and cleanliness are the principle favorable circumstances alongside the fire security issue besides; downsides with plastic pallets can surpass the benefits of utilizing them.

It appears that, proceeds with change on car brilliant store network administration upheld pallet-based enterprises to move quicker using plastic pallets rather than wooden ones which are worked at similar sizes, weights and measurements. Following and following the shipments confronted the Third-Party Logistics (3PL) suppliers and pallet pool makers with the significance of utilizing RFID labeled pallets which are electronically under control.

Cost, weight and twisting are such detriments. Layered paper pallets are the best choices from the reusing cost's and system's points of view. The principle spotlight ought to be on recognizing the conceivable mix of various pallet composes and sizes into a similar pallet pool with a specific end goal to improvement of profitability, incensement of effectiveness and decrease of operational expenses.

To make a long haul practical and unmistakable expectation about future patterns on pallet showcase, staying on the move between wooden pallet and plastic one as need is as yet an open finished methodology. In any case, as the best figure laid on our pallet piece of the pie information social event and palletclient-based business researching, in a lack expectation till 2020, propensity to utilize elective materials like plastic rather than hard wood will be expanded.

## REFERENCES

- [1] R. Desai, "Project Based Innovation to Improve Pallet Recycling," no. 3, pp. 331–337, 2018.
- [2] E. Soury, A. H. Behraves, E. Rouhani Esfahani, and A. Zolfaghari, "Design, optimization and manufacturing of wood-plastic composite pallet," *Mater. Des.*, vol. 30, no. 10, pp. 4183–4191, 2009.
- [3] C.-J. Liao and C.-T. You, "Operational research Society is collaborating with JSTOR to digitize, preserve, and extend access to Journal of the Operational Research Society. © www.jstor.org," *J. Oper. Res. Soc.*, vol. 47, pp. 697–701, 1996.
- [4] a K. Saha, S. Das, D. Bhatta, and B. C. Mitra, "Study of Jute Fiber Reinforced Polyester Composites," *J. Appl. Polym. Sci.*, vol. 71, pp. 1505–1513, 1999.
- [5] A. K. Rana, A. Mandal, B. C. Mitra, R. Jacobson, R. Rowell, and A. N. Banerjee, "Short jute fiber-reinforced polypropylene composites: Effect of compatibilizer," *J. Appl. Polym. Sci.*, vol. 69, no. 2, pp. 329–338, 1998.
- [6] H. Quesada-Pineda, S.-G. S, and P. A. Araman, "A Quantitative Study of the U.S. Wood Pallet Industry Based on Supply Chain Management Practices," vol. 6, no. 1, pp. 1–26, 2012.
- [7] A. Parvizi and J. E. Bailey, "On multiple transverse cracking in glass fibre epoxy cross-ply laminates," *J. Mater. Sci.*, vol. 13, no. 10, pp. 2131–2136, 1978.
- [8] J. Moureh and D. Flick, "Airflow pattern and temperature distribution in a typical refrigerated truck configuration loaded with pallets," *Int. J. Refrig.*, vol. 27, no. 5, pp. 464–474, 2004.
- [9] J. Mokhlesi and A. Andersson, "The Current State and Future Trends in The Use of Pallets in Distribution Systems," *Logist. Manag.*, no. 19, 2009.
- [10] A. Pourhashemi, M. Harvey, and R. Moats, "Water Absorption of Wooden Pallets Siripong Malasri Christian Brothers University United States of America Phyto Aung United States of America United States of America," vol. 2, no. 9, pp. 1–10, 2012.
- [11] H. Ku, H. Wang, N. Pattarachaiyakoop, and M. Trada, "A review on the tensile properties of natural fiber reinforced polymer composites," *Compos. Part B Eng.*, vol. 42, no. 4, pp. 856–873, 2011.
- [12] J. Li, B. J. Wang, and J. Zhou, "The reliability-based design and optimization procedures for a heavy-duty pallet system," *Adv. Mech. Eng.*, vol. 10, no. 1, p. 168781401775175, 2018.
- [13] Y. H. Kim *et al.*, "Development of lightweight composite pallets for assembly line of LCDs and PDPs," *Adv. Compos. Mater.*, vol. 19, no. 1, pp. 55–62, 2010.
- [14] S. Sajid, A. Syed, N. Prof, and K. I. A. Prof, "Design and Analysis of Stacking Industrial Pallets for Handling Engine Blocks," vol. 4, no. 10, pp. 141–144, 2016.
- [15] S. L. Gao and E. Mäder, "Characterisation of interphase nanoscale property variations in glass fibre reinforced polypropylene and epoxy resin composites," *Compos. - Part A Appl. Sci. Manuf.*, vol. 33, no. 4, pp. 559–576, 2002.