

# International Journal of Innovative Research in Science, Engineering and Technology

(A High Impact Factor, Monthly, Peer Reviewed Journal)

Visit: [www.ijirset.com](http://www.ijirset.com)

Vol. 8, Issue 12, December 2019

## Review of Wireless Channel Estimation Techniques over MIMO-OFDM System

Parveen Ahamed<sup>1</sup>, Prof. Alok Kumar<sup>2</sup>

M.Tech Scholar, Department of Electronics and Communication, SIRTS Engineering College, Bhopal, India<sup>1</sup>

Assistant Professor, Department of Electronics and Communication, SIRTS Engineering College, Bhopal, India<sup>2</sup>

**ABSTRACT:** The multiple input multiple output-orthogonal frequency division multiplexing or MIMO-OFDM frameworks are utilized to satisfy the necessities of high information transmission rates, as a result of their exceptional properties, for example, high otherworldly proficiency, high information rate and obstruction towards multipath proliferation. MIMO-OFDM frameworks are finding their applications in the advanced remote correspondence frameworks like IEEE 802.11n, 4G. In this paper, we consider the plan of LTE system and diagram the channel estimation. To achieve high data rate correspondence with flexibility, Long term evolution (LTE) has been displayed. LTE Downlink systems get Symmetrical Recurrence Division Different and MIMO to give upto 100 Mbps (expecting a 2x2 MIMO structure with 20MHz transmission limit). The execution get of MIMO overwhelmingly depends upon the correct estimation of Channel State information (CSI), which is crucial for every trade structure. In this paper, studied of various modulations and multiplexing techniques for channel estimation and performance improvement.

**KEYWORDS:** MIMO, LTE, OFDM.CSI, LSE, MMSE.

### I. INTRODUCTION

OFDM has been connected for different remote correspondence frameworks in the most recent decade. In light of its huge accomplishment in advanced video broadcasting (DVB) and remote neighbourhood (WLANs), it is presently considered for broadband remote frameworks for both axed and portable applications, for example, remote metropolitan region systems (WMANs), versatile broadband remote access (MBWA) and proposed fourth era (4G) cell frameworks [1]. Those frameworks be that as it may, ought to be equipped for working efficiently in extensive variety of working conditions, for example, vast scope of portable supporter station (MSS) speeds, distinctive transporter frequencies in authorized and authorized absolved groups, different postpone spreads, awry traffic stacks in downlink and uplink and wide unique signal to noise ratio (SNR) ranges.

The raising solicitations for quick and strong remote trades have nudged change of various input– numerous yield (MIMO) systems with different radio wires at each transmitter and recipient sides. To viably gather the capacity and grouping increments sensible by MIMO channels, different space-time continuum process methodologies have been created, for instance, Chime Labs layered space-time continuum models and symmetrical space-time continuum piece codes, to give a few illustrations. To also overhaul the system capacity, information theoretic research exhibits that an info channel can be utilized to give channel state information (CSI) to the source edge, which could influence quiet circle limit pick down basically once the clarity time of the MIMO channel is satisfactorily broad. At the point when brilliant criticism of CSI is inaccessible because of many-sided quality or utility limitations, the execution furthest reaches of MIMO frameworks under uproarious or quantized input are assessed in the investigation. Various input systems are conceived to comprehend the nearby circle capacity pick up. In control plans in view of quantized criticism information are intended to lessen an upper bound of numerous input–single-output (MISO) frameworks. At what time just the list of the most incredible pillar shaping vector is nourished back to the transmitter, the issue of quantized most flag to-clamor proportion (SNR) shaft framing is settled inside the examination. Under input connect capacity requirement, a half and half bar shaping and versatile power-control engineering is created in the investigation. For scalar power criticism and per-recieving wire vector control input, the issue of ideal MIMO interface limit is

# International Journal of Innovative Research in Science, Engineering and Technology

(A High Impact Factor, Monthly, Peer Reviewed Journal)

Visit: [www.ijirset.com](http://www.ijirset.com)

Vol. 8, Issue 12, December 2019

ascertained in the examination, while the issue of ideal MIMO multiuser configuration is tackled in the investigation in. As of late, two point by point type of fragmentary criticism, particularly, channel mean input (CMF) and channel covariance input (CCF), incorporate be explore for moderate differing and rapidly changing MIMO channels, separately. In light of CMF, ideal multi antenna communicate precoder design has been seek after in the investigation, while with CCF, a required and sufficient condition for the optimality of beam shape is gotten in the examination. The blunder execution of versatile regulation with deferred reaction, least mean square mistake (MMSE) channel forecaster, and communicate shaft shaping is explored in the investigation. As per the writing, the pilot image helped balance has as of late risen as a promising MIMO estimator utilized for time-shifting remote correspondence frameworks. It offers attractive introduction with viable registering many-sided quality. In this way, the utilization of PSAM approach perform channel deduction is prescribed here for handy setting. In this exertion, an execution investigation of the novel pilot image helped adjustment framework chipping away at MIMO channels and TCM-STBC codes are investigated. Here are two for the most part characterized TCM classes: the anticipated TCM and the multidimensional trellis coded adjustment which is known to give high transmission capacity effectiveness. In this paper, we concentrate on the execution investigation of the second sort of TCM as an external code. We consider here on the perceived four multidimensional TCM (4D-TCM) plot depicted in which offers high information rate.

## II. RELATED WORK

**E. Basar et al., [1]** Index modulation (IM) is an interesting question that it is have started to hear more and more frequently over the past few years. The aim of this work is to answer this question in a comprehensive manner by covering not only the basic principles and emerging variants of IM, but also reviewing the most recent as well as promising advances in this field toward the application scenarios foreseen in next-generation wireless networks. More specifically, it is investigate three forms of IM: spatial modulation, channel modulation and orthogonal frequency division multiplexing (OFDM) with IM, which consider the transmit antennas of a multiple-input multiple-output system, the radio frequency mirrors (parasitic elements) mounted at a transmit antenna and the subcarriers of an OFDM system for IM techniques, respectively. it is present the up-to-date advances in these three promising frontiers and discuss possible future research directions for IM-based schemes toward low-complexity, spectrum- and energy-efficient next-generation wireless networks.

**A. Yaqot et al., [2]** Cognitive radio (CR) in conjunction with multiple-input multiple-output (MIMO) orthogonal frequency-division multiple access is a candidate technology for future mobile radio networks. The short communication range of underlay CR systems is commonly a major limiting factor. In this work, it is propose a computationally and spectrally efficient resource allocation scheme for multiuser MIMO orthogonal-frequency-division-multiplexing-based underlay CR networks to provide good spectral efficiency gain and, therefore, increased communication range. Since the formulated optimization problem defines a mixed-integer programming (combinatorial task) that is hard to solve, it is propose a two-phase scheme to produce efficient solutions for both the downlink and the uplink. Particularly, the first procedure elaborates on an adaptive precoding that is characterized by spectral efficiency due to the degrees of freedom it can provide. The second procedure develops a fast subcarrier mapping algorithm, which can be worked out through optimal power distribution among the CR users. The proposed scheme is optimal for the downlink but, however, near-optimal for the uplink. Simulation results demonstrate the bandwidth and computational efficiencies of the proposed scheme compared with the state of the art.

**D. B. Rawat et al., [3]** In this letter, it is evaluate the performance of the MIMO-OFDM cognitive radio (CR) system where CR devices continuously sense the channel to check whether it is idle or not using compressed sensing with cyclostationary detection, and reconstruct the signal if communication is for the given CR receiver from its transmitter. it is use the probability of misdetection and probability of false alarm as metrics to evaluate the spectrum sensing, and mean square error and successful reconstruction rate as metrics to evaluate the reconstruction of the signal for CR communications. Simulation results show that the proposed method outperforms the existing method.

# International Journal of Innovative Research in Science, Engineering and Technology

(A High Impact Factor, Monthly, Peer Reviewed Journal)

Visit: [www.ijirset.com](http://www.ijirset.com)

Vol. 8, Issue 12, December 2019

**A. Kumar et al., [4]** This letter proposes a generalized likelihood ratio test (GLRT)-based spectrum sensing scheme for multiple-input multiple-output (MIMO) single carrier frequency division multiple access (SC-FDMA) cognitive radio networks considering the effect of synchronization impairments such as carrier frequency offset, sampling frequency offset, and symbol timing error. The MIMO SC-FDMA cognitive radio system is initially developed in the presence of synchronization impairments. Subsequently, the finite record GLRT is derived for the above scenario considering the channel response as well as the various synchronization parameters and noise variance to be unknown. Closed-form expressions are derived for the probabilities of false alarm and detection to characterize the finite sample and asymptotic performance of the GLRT. Additionally, a computational complexity analysis is presented for the proposed test. Simulation results demonstrate the performance of the proposed GLRT-based detector in comparison with existing detectors in literature such as the matched filter detector, maximum eigenvalue detector, and the conventional energy detector while simultaneously validating the analytical performance expressions.

**M. Hefnawi et al., [5]** This work proposes a large-scale cooperative multiple-input multiple-output (CMIMO) beamforming scheme for uplink (UL) access in broadband cognitive radio wireless sensor networks (CR-WSNs) sharing the same spectrum with a primary network and employing orthogonal frequency-division multiplexing. The CR-WSN is divided into clusters each consisting of cooperative nodes that form a virtual antenna array. Using particle swarm optimization (PSO), each cluster seeks the optimal transmit weight vectors that maximize the UL channel capacity of each cluster, while controlling the interference levels to the primary network. Under the assumption of very large number of sensor nodes at each cluster, semi-analytic expressions for the symbol error rate and the ergodic channel capacity of the CMIMO-based CR-WSN are derived and validated with Monte-Carlo simulation. The PSO-based capacity-aware (PSO-CA) scheme is compared with the one based on the traditional gradient search scheme (GS-CA) and the results show that PSO-CA requires considerably less computational complexity while achieving essentially the same level of performance as the GS-CA.

## III. METHOD

### A. STBC BASED OFDM SYSTEM MODEL

The framework display for STBC-OFDM with two transmission radio wire and a get receiving wire is appeared in the Figure 1 then again, the framework model can be reached out to any no. of transmitting and getting reception apparatuses to get high transmit decent variety. At the transmitter end, the information succession is producing and balance as per any positive tweak plan, for example, QPSK, BPSK or 16QAM. After this the yield balanced information is gone through STBC encoder. The STBC encoder use to change the single information adjusted data information into two parallel encoded yield information by utilizing Alamouti STBC plot. The pilot grouping is additionally produced and regulates comparably to the information succession. After that both encoded information and pilot subcarrier go by the serial to parallel converter lastly came to at the (IFFT) Inverse Fast Fourier Transformation piece. The yield of the IFFT square communicated as

$$x_{t,n}^{\beta} = \sum_{k=0}^{N-1} X_{t,k}^{\beta} e^{j2\pi kn/N}$$

$$\beta = 1, 2, \quad n, k = 0, 1, 2, \dots, N - 1 \quad (1)$$

Where data vector denotes by  $X_{t,k}^{\beta}$ ,  $x_{t,n}^{\beta}$  before and after of the IFFT block,  $\beta$  denote the transmitting antenna index, and  $n, k$  represents the  $k$ th subcarrier and the its  $n$ th time instant at the  $t^{\text{th}}$  symbol period. Where  $N$  denote the total number of OFDM data subcarrier. at last, the resulting signals are transmitted from the antennas following insertion of the cyclic prefix (CP) which is assumed to be largas compare to the delay spread of the multipath channel to avoid inter symbol interferences (ISI).The channel is assumed to be static or quasi-static for two time slot of STBC

## International Journal of Innovative Research in Science, Engineering and Technology

(A High Impact Factor, Monthly, Peer Reviewed Journal)

Visit: [www.ijirset.com](http://www.ijirset.com)

Vol. 8, Issue 12, December 2019

block . The channel model use in this paper is describe latter in this segment. The received signal can be obtain by taking the difficulty of transmitted data signal with the channel impulse reaction and can be expressed in term as

$$r_{j,t,n} = \sum_{l=0}^{L-1} h_{j,t,l}^{\beta} x_{t,n-l}^{\beta} + w_{j,t,n} \quad (2)$$

$H_{j,t,k}^{\beta}$  denote the frequency response of the channel from  $\beta$  th transmitting antenna to the  $j^{th}$  receiving antenna and on the  $k^{th}$  subcarrier.  $N_t$  and  $N_r$  represent the quantity of transmit and receive antennas.  $w_{j,t,k}$  Is the additive white Gaussian noise with zero mean and unit variance. After the processed signal is decoded by the STBC decoding method. to conclude, the transmitted signal is recovers after taking the hard resolution of the decoded signal. In this paper, IEEE802.11 model with exponential power delay profile is adopted. The channel is modeled as finite impulse response with total  $L+1$  non-zero path and with zero mean and average power of  $\sigma_1^2$  . The channel can be expressed as

$$h_l = N(0, \frac{\sigma_1}{2}) + jN(0, \frac{\sigma_1}{2}) \quad (3)$$

Where  $N(0, \frac{\sigma_1}{2})$  is zero mean with variance  $\sigma_1^2$  power of the multipath component decreases exponentially. The first path of the model is choose to be

$$\sigma_0^2 = \frac{1-\lambda}{1-\lambda^{L+1}} \quad (4)$$

Where  $\lambda = e^{-\frac{T_s}{\tau_{rms}}}$  and  $L = \frac{10\tau_{rms}}{T_s}$  The  $T_s$  and  $\tau_{rms}$  are the root mean and sampling period squared delay of the channel respectively. The energy of  $l$ th path can be written like

$$\sigma_l^2 = \sigma_0^2 \lambda^l \quad (5)$$

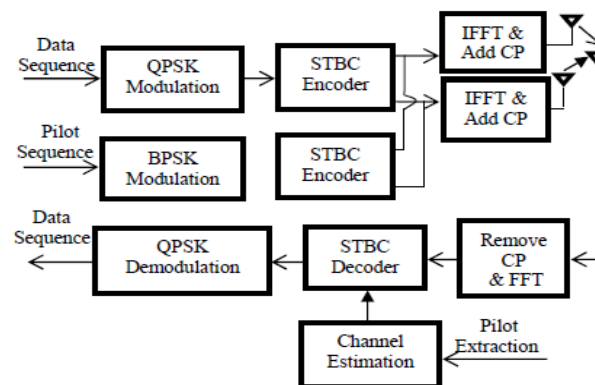


Figure 1: Block diagram of an STBC-OFDM system model

# International Journal of Innovative Research in Science, Engineering and Technology

(A High Impact Factor, Monthly, Peer Reviewed Journal)

Visit: [www.ijirset.com](http://www.ijirset.com)

Vol. 8, Issue 12, December 2019

## IV. CONCLUSION

In this paper, the essential ideas of Symmetrical Recurrence Division Multiplexing, Numerous Information Different Yield frameworks are tended to. The different channel estimation systems, for example, STBC , preparing based, daze channel, semi-dazzle channel based calculations are talked about. Additionally, unique enhancement strategies, for example, Choice Coordinated Channel Estimation Execution for Ghostly Effectiveness Change in Portable MIMOOFDM, Versatile Channel Estimation Procedures for MIMO-OFDM Frameworks are evaluated for preparing based channel estimation calculations.

## REFERENCES

1. Jin-Taek Lim and Dong-Ho Cho†"Gain Investigation of Versatile MIMO Semisoft in LTE-OFDM Frameworks" 978-1-4799-8088-8/15/\$31.00 208 IEEE.
2. Duo Zhang, Guo Wei, Jinkang Zhu, Zhi Tian, " On the Limits of Criticism Rates for Pilot-Helped MIMO Frameworks" IEEE Exchanges ON VEHICULAR Innovation, VOL. 56, NO. 4, JULY 2017.
3. Jyoti P. Patra, Poonam Singh, " A Brush Compose Pilot Image Helped Channel Estimation for STBC based OFDM Framework over Recurrence Specific Channel" 978-1-4799-2751-7/13/\$31.00 ©2016 IEEE
4. Mohamed Marey, Octavia A. Dobre, Robert Inkol, "Dazzle STBC Recognizable proof for Different Reception apparatus OFDM Frameworks" IEEE Exchanges ON Interchanges, VOL. 62, NO. 5, MAY 2014 0090-6778/14\$31 2015 IEEE
5. Leandro D'Orazio, Claudio Sacchi, Massimo Donelli, Francesco G.B. De Natale, " MMSE Multi-Client Location with GA-assistedchannel Estimation for STBC MC-CDMA Portable Correspondence Frameworks" 978-1-4244-2204-3/08/\$25.00 ©2016 IEEE
6. TAROKH, H. JAFARKHANI, AND A. R. CALDERBANK, "SPACE-TIME BLOCKCODES FROM SYMMETRICAL OUTLINES," IEEE TRANS. INF. HYPOTHESIS, VOL. 45, NO. 5, PP. 1456-1467, JUL. 2012.
7. M. Biguesh and A. B. Gershman, "Preparing based MIMO channel estimation: An investigation of estimator tradeoffs and ideal preparing signals," IEEE Trans. Flag Process., vol. 54, no. 3, pp. 884-893, Blemish. 2016.
8. J.K. Cavers, "An Examination of Pilot Image Helped Balance for Rayleigh Blurring Channels," IEEE Trans. on Veh. Tech., vol. 40, no.4, pp. 686- - 693, Nov. 1991.S. Ohno and G. B. Giannakis, "Normal rate ideal PSAM transmissions after some time particular blurring channels," IEEE Trans.Wireless Commun., vol. I, no. 4, pp. 712-720, Oct. 2012.
9. K. Yu, I. Evans, and I. Collings, "Execution examination of pilot image helped QAM for Rayleigh blurring channels," in Proc. IEEE ICC, New York, NY, pp. 1731-1735, May 2014.
10. S.S. Ikki, S. Al-Dharrab and M. Uysal, "Blunder Likelihood OF Handing-off with Pilot-Helped Channel Estimation after some time Shifting Blurring Channels," IEEE Exchanges on Vehicular Innovation, vol.61,no. I,393 - 397,2015.
11. Wenyu Li, Yunfei Chen and Norman C. Beaulieu, "BER Improvement of Pilot Image Helped MRC PSI( for Moderate Blurring Channels " IEEE Correspondences Letters, vol. 13, no. 12, December 2011.
12. Eiji Okamoto, Huan-Blast Li, and Tetsushi Ikegami, "A Pilot Image Helped Pay Plan of Blurring and Recurrence Balance for 16QAM," IEEE Global Meeting on All inclusive Individual Correspondences (ICUPC), vol. 2, pp. 921 - 924, 2014.