

Landslide Detection and Monitoring System

Mr. K. Ramesh¹, K. Karthika², A. Natrinai³, A. Pavithra⁴, A.B. Vaishali⁵

Asst. Professor, Department of ECE, Adhiyamaan College of Engineering, Hosur, Tamilnadu, India ¹,

UG Students, Department of ECE, Adhiyamaan College of Engineering, Hosur, Tamilnadu, India ^{2,3,4}.

ABSTRACT: The framework centers around checking avalanche and human location and create cautioning utilizing sensor and controller. This will create cautioning when level of earth vibrations crosses a limit and live human character in that area. Recognizing a longitudinal influx of a seismic development by an accelerometer this is a vibration sensor. The sensor yields are given to the Node MCU. The Micro controller is accustomed to controlling the entire framework. In the event that the sensor arrives at the edge level of vibration and dampness level the ringer caution and crisis light will be initiated to alarming the human exercises in a specific zone and the information will send to the power.

KEYWORDS: IoT, ESP 8266, Accelerometer, Moisture sensor.

I. INTRODUCTION

Landslide is one of the most dangerous natural hazard around the world. It is the movement by the gravity of soil and rock and soil pressure. IoT based technology has a capacity of large scale development. Here this technology provides a wide scope for the development of landslide detection and monitoring system.

II. EXISTING METHOD

Model of avalanche discovery by WSN has been depicted. As data and correspondence innovation (ICT) creates, avalanche observing frameworks are getting progressively exact and savvy. As data and correspondence innovation (ICT) creates, avalanche checking frameworks are getting progressively exact and financially savvy. Avalanche Sensor arrange utilized in avalanche expectation as they give thick information and continuous checking and forecast of occasions.

III. PROPOSED METHOD

The proposed framework has a dirt dampness sensor and accelerometer. The dirt dampness sensor is utilized to detect the dampness substance of the dirt and the accelerometer is utilized to distinguish the development of the land. The gathered information from the sensors is given to the controller through this is done on the grounds that the controller utilized here is Node MCU (esp8266) which has just a single simple information pin and in-manufacture Wi-Fi module which is required for transmission of information towards checking station.

Organized by

Department of ECE, Adhiyamaan College of Engineering, Hosur, Tamilnadu, India

IV. METHODOLOGY

A. BLOCK DIAGRAM

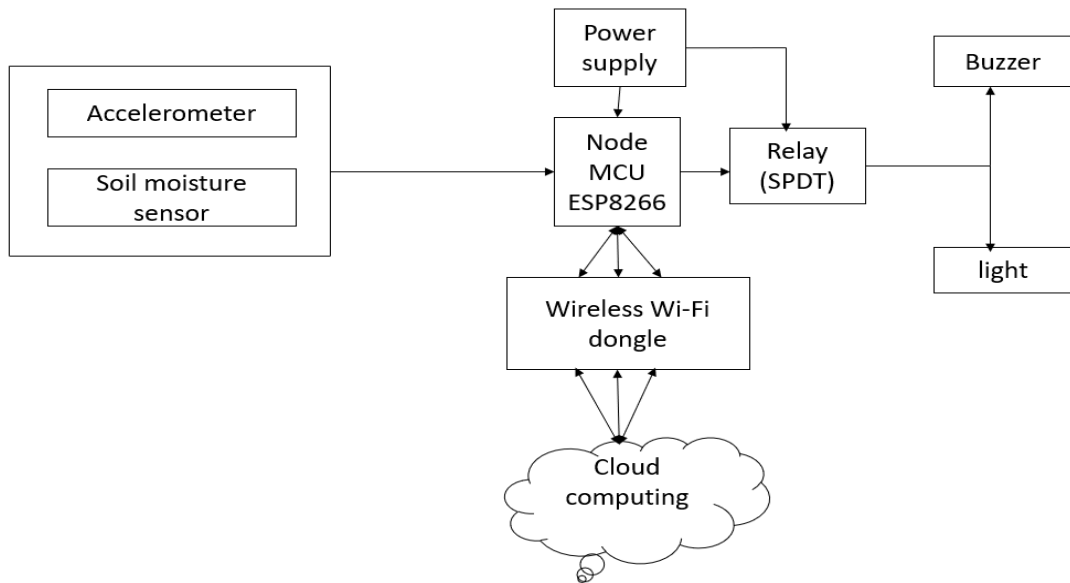


Fig 1. Block diagram

B. Node MCU (ESP8266)

It is a microchip with self sustained Wi-Fi module. It has a compact design and it provides its majour support in IoT based technology. Because of its high performance and operating temperature. It is widely used in large scale industries. ES8266 is an open source to develop IoT based products

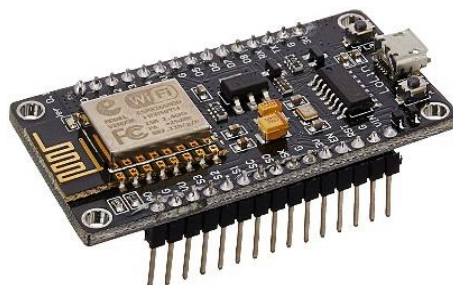


Fig 2. NODE MCU (ESP 8266)

C. SOIL MOISTURE SENSOR

Soil dampness sensor has two leading plates one is certain and the other one is negative. The electric momentum in the pate is straightforwardly corresponding to measure of water content in the dirt. In the event that the dampness content in the dirt is high, at that point it will draws less yield. Associate the two pins of the dampness sensor to the two pins on the speaker circuit utilizing jumper wires. Interface the Vcc from the enhancer to the 3.3v pin on the NodeMCU. At that point associate the GND nail to the NodeMCU. Associate the simple pin to A0 nail to the NodeMCU and NodeMCU to PC through a USB link.



Fig 3. soil moisturing sensor

D. ACCELEROMETER SENSOR

The accelerometer is utilized to distinguish the development of the dirt. It has two sorts of plate fixed plate and the moving plate. The yield of the accelerometer is analyzed dependent on the three hub X,Y,Z.

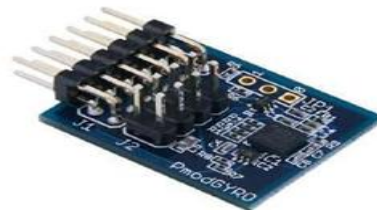


Fig 4. Accelerometer sensor

These three pins are comparative with the speeding up toward development. The ADXL345/GY-61 is somewhat, petite, low power, complete 3-turn accelerometer with signal formed voltage yields. The thing checks accelerating with a base full-scale extent of ± 3 g. It can measure the static reviving of gravity in tilt-distinguishing applications, similarly as one of a kind speeding up coming about in light of development, stagger, or vibration. There is no prepared rule, if power should be some place in the scope of 1.8 and 3.6VDC. In general, ADXL345 is 3v3 acceptable device, it's filled by a 3.3v source and moreover makes 3.3v zenith yields. It has three yields for each rotate, for instance X, Y and Z. These are straightforward yields and right now an ADC in a microcontroller. NodeMCU deals with this issue. We will use basic pin of NodeMCU.

E. PIEZO BUZZER



Fig 5. Piezo Buzzer

Piezo signal is an electronic contraption by and large used to make sound. It is the miracles of making power when mechanical weight is applied to explicit materials and the other path around is in like manner substantial. Such materials are called piezo electric materials. Piezo electric materials are either ordinarily open or then again counterfeit. Piezoceramic is class of manufactured material, which presents piezo electric effect and is commonly used to make circle, the center of piezo ringer. At the point when presented to a turning electric field they stretch or pack, according to the repeat of the sign thusly conveying sound.

F. EMERGENCY LIGHT



Fig 6. Emergency Light

An Emergency light a battery-upheld lighting gadget that turns on consequently when a structure encounters a force blackout. Crisis lights are standard in new ad and high inhabance private structures, for example, school quarters, lofts and lodgings. Most construction laws necessitate that they be introduced in more established structures too.

G. POWER SUPPLY



Fig 7. Power supply

In our activities we need a force supply for changing over mains AC voltage to a controlled DC voltage. For making a force supply planning of every single part is basic. Here I will examine the planning of directed 5V Power Supply.

H. ARDUINO IDE

It is a 14 pin IC which acts as digital input and output pins. The 6 analog pins have 16MHz ceramic resonator. It has a USB connection in which the data are shared using the computer and the IC. The Arduino IDE is coded with the basic C language with the help of the Arduino Software where its basic conversion can be changed to the required output sources. The coding is done accordingly to where the supplies has been given to the individual houses and are operated by the help of the android software which is connected using android devices. Thus the user can read the outlet of the water source and the consumption of the water and can also operate the ON and OFF terminal of the water sources with the help of the android application. Thus we can save the water without any man-made power and can be easily operated in from any other place with the help of IoT.

I. BLYNK SERVER

Blynk is a phase with iOS and Android applications to control Arduino, Raspberry Pi and the inclinations over the Internet. It's a propelled dashboard where you can develop a practical interface for your endeavor by fundamentally moving contraptions. It's amazingly simple to set everything up and you'll start tinkering in less than 5 mins. Blynk isn't connected to some specific board or shield. Or maybe, it's supporting gear of your choice. Whether or not your Arduino or Raspberry Pi is associated with the Internet over Wi-Fi, Ethernet or this new ESP8266 chip, Blynk will set you up on the web and for the Internet of Your Things.

V. EXPERIMENTAL SETUP AND RESULT

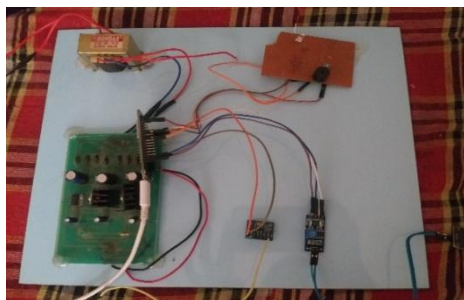


Fig 8. Experimental setup

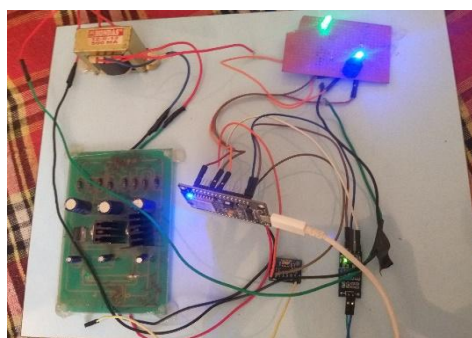


Fig 9. Experimental result

VI. CONCLUSION

Each piece of the avalanche early admonition framework for example accelerometer, soil dampness sensors, remote telemetry, topographic and slope model investigation, hazard/avalanche chance examination, I/O programming, web-GIS show was tried separately followed by in general framework testing. The avalanche parameters utilized are precipitation, geography, soil type, slant tendency, and land use

REFERENCES

- [1] Andreas Gunther, Miet Van-Den Eeckhaut , Jean Philippe Malet , Paola Reichenbach and Javier Hervas , climate physiographically differentiate pan-European landslides susceptibility assessment using spatial multi-criteria evaluation and transnational landslide information Geographology, 224:69-85, November 2015.
- [2] M.V.Ramesh , design, development, and deployment of a wireless sensor network for detection of landslides, Ad Hoc Netw., vol.13, pp.218, Feb.2014.
- [3] Romdhane, Rihab Fekih, Y. Lami, D. Genon Catalot, N. Fourty, A. Lagreze, D. Jongmans and L. Baillet. "Wireless sensor network for landslide prevention" .In 2017 IEEE International Conference On Computational Intelligence and Virtual Environments for Measurement Systems and Application (CIVEMSA), pp.222-227. IEEE, 2017
- [4] Apurva Saha, Akash Kumar, Aishwarya Kumar Sahu, "FPV drone with GPS used for surveillance in remote areas", Research in Computational Intelligence and Communication Networks (ICRCICN) 2017 Third International Conference on, pp. 62-67, 2017.