



e-ISSN: 2319-8753 | p-ISSN: 2320-6710

IJRSET

International Journal of Innovative Research in
SCIENCE | ENGINEERING | TECHNOLOGY



INTERNATIONAL JOURNAL OF INNOVATIVE RESEARCH

IN SCIENCE | ENGINEERING | TECHNOLOGY

Volume 9, Issue 9, September 2020

ISSN INTERNATIONAL
STANDARD
SERIAL
NUMBER
INDIA

Impact Factor: 7.512

 9940 572 462

 6381 907 438

 ijirset@gmail.com

 www.ijirset.com

FBMC-OFDM based Algorithm for Performance Evaluation of Long Term Evolution Communication

Pallavi Singh Patel¹, Prof. Prabhat Sharma²

M.Tech Scholar, Dept. of ECE., Oriental Institute of Science and Technology, Bhopal, India¹

Assistant Professor, Dept. of ECE., Oriental Institute of Science and Technology, Bhopal, India²

ABSTRACT: Advance Wireless communications technologies give more applications in various fields. Filter bank multicarrier employing orthogonal frequency-division multiplexing (FBMC/OQAM) technology is considered as a data transmission scheme for 5th generation. Filter bank multiple carriers (FBMC) with OFDM scheme give better performance in terms of necessary parameters. This paper proposed an efficient modulation scheme based on FBMC-OFDM for communication advancements. Simulation result shows that proposed method gives significant better performance than existing approach.

KEYWORDS: FBMC, OFDM, LTE, wireless, Generation.

I. INTRODUCTION

Filter bank multicarrier (FBMC) is an elective transmission strategy that settles the above issues by utilizing brilliant filters that stay away from both entrance and departure clamors. Likewise, as a result of the extremely low out-of-band emanation of subcarrier filters, use of FBMC in the uplink of multiuser systems is insignificant. It tends to be sent without synchronization of portable client hubs signals. In the utilization of intellectual radios, the filter bank that is utilized for multicarrier information transmission can likewise be utilized for range detecting. Then again, contrasted with OFDM, FBMC misses the mark in giving multiple-input multiple-output (MIMO) channels, despite the fact that a couple of answers for embrace FBMC in MIMO divers have been accounted for in the writing. By the by, as our ongoing exploration examine has appeared, in the rising territory of enormous MIMO, FBMC is found as amazing as OFDM and now and again better than OFDM.

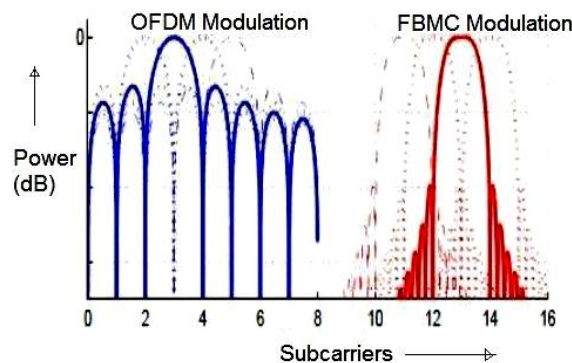


Figure 1: FBMC-OFDM Modulation

Previously, numerous endeavors have been made to embrace FBMC in different gauges. Clearly, the soonest proposition to utilize FBMC for multicarrier correspondences is a commitment from Tzannes et al. of Mindful Inc., in one of the hilter kilter computerized supporter lines (ADSL) standard gatherings in 1993. The proposed strategy that was called discrete wavelet multitone (DWT) was additionally considered in. Regardless of energy from the examination network, DWT was not received in the ADSL standard. This was somewhat a direct result of the apparent unpredictability of this strategy when contrasted with its adversary, DMT (discrete multitone, a proportional name for OFDM in DSL writing). In reality, the DWT structure proposed by Tzannes et al. was fundamentally more mind boggling than that of DMT. The significant piece of the multifaceted nature of DWT originated from the balance strategy that was embraced. The point by point discourse displayed in accepted that one needs an equalizer that joins signals from each subcarrier band and its adjoining groups. Ordinary equalizer lengths proposed in were 21 genuine esteemed taps for every subcarrier.

It was later noted by the creator of this work if each subcarrier is adequately restricted with the end goal that it very well may be approximated by a level increase, two genuine taps for every subcarrier would be adequate for evening out. This perception prompted further investigation of DWMT. In electrical cable interchanges (PLC) people group, it has been named wavelet OFDM and was embraced in the IEEE P1901 standard. The fundamental inspiration for utilization of DWMT in DSL and its reception later in PLC was to manage entrance and departure clamors, since both DSL and PLC utilize unshielded copper lines that are liable to solid radio impedance. Besides, in 1999, a FBMC technique with non overlapping subcarrier groups was proposed as an answer for filtering the limited band impedances in extremely rapid DSL (VDSL) channels. The proposed strategy was called filtered multitone (FMT). This suggestion that was incorporated as an extension in one of the underlying draft reports of VDSL was additionally created by various specialists. Be that as it may, to stay away from incongruence with ADSL, FMT was excluded in the last archive of the VDSL standard. Another fruitless story is an endeavor by France Telecom to present FBMC in the IEEE 802.22, a subjective radio standard to get to television groups in remote country region systems (WRAN). Up to now, evidently, the main standard for radio transmission that utilizes FBMC is the TIAs Computerized Radio Specialized Standard.

II. BACKGROUND

M. N. GEETHA et al., presents influence wastefulness in RF segment of the transmitter, inter bearer obstruction and bit mistake rate execution corruption. Least PAPR will enable a higher normal capacity to be transmitted for a fixed pinnacle control which thusly improves in general SNR at the beneficiary. This report glances through different methods proposed for PAPR decrease plans for realizing the low computational multifaceted nature which is fundamental for ongoing applications in remote correspondence frameworks[1]. A. Lipovac et al., shows build up a basic Piece Blunder Rate (BER) based model for the (leftover) PAPR estimation, by applying join deliberation, for example considering the simple quantifiable BER debasement due to HPA non-linearity, as though it were the outcome of the concurring dimension of added substance white Gaussian commotion (AWGN) abstracting the HPA twisting, while at the same time considering high Flag to-Clamor Proportion (SNR) and sufficiently long cyclic prefix (CP), accordingly ignoring (genuine) added substance clamor and time scattering (for example multipath blurring and the resulting between image obstruction). The systematic model is confirmed by the fitting Monte-Carlo reenactments[2]. R. Aishwarya et al., prompts control wastefulness in RF segment of the transmitter, entomb bearer impedance and bit blunder rate execution corruption. Least PAPR will enable a higher normal capacity to be transmitted for a fixed pinnacle control which thusly improves generally speaking SNR at the collector. This report glances through different strategies proposed for PAPR decrease plans for realizing the low computational unpredictability which is vital for ongoing applications in remote correspondence frameworks[3]. Guruprasad et al., presents symmetrical Recurrence Division Multiplexing (OFDM) is a multi-transporter multiplexing method utilized in numerous applications, for example, Remote Neighborhood (WLAN), Computerized Sound Telecom Earthbound (Spot T) and Long haul Development (LTE). It gives high effectiveness and low information misfortune in multipath condition consequently there is a requirement for appropriate tweak system. Distinctive regulation strategies in OFDM give diverse Piece Mistake Rate (BER) execution and unearthly effectiveness. Additionally Even after regulation the yield of Reverse Quick Fourier Change (IFFT) gives huge Pinnacle Plentifulness Power Proportion (PAPR) which represents an issue in intensifier effectiveness and unpredictability in simple to advanced converters[4]. K. Kim et al., shows the begin with, asymptotic appropriation of CM is inferred. Second, it is confirmed that 1.7 occasions oversampling rate is sufficient to catch the CM of persistent OFDM motions regarding mean square blunder, which is additionally for all intents and purposes significant in light of the fact that the quick Fourier change measure is ordinarily 1.7 occasions bigger than the ostensible transfer speed in the long haul advancement (LTE) cell correspondence frameworks[5].

L. Cho et al., improved and particular perfect general precoding plan (GPC) for movable top to-average power proportion (PAPR) decrease in discrete Fourier change spread symmetrical recurrence division multiplexing (DFT-s-OFDM) is proposed. Through the reworking of occasional cushioning for precoded information images in the GPC precoding grid, the proposed calculation does not build any computational unpredictability contrasted with the first GPC[6].

A. M. Rate et al., propose a low-multifaceted nature strategy for PAPR decrease dependent on straight scaling of a bit of flag coefficients by an ideal factor. This work is sponsored up by the broad examination of different execution measurements, which prompts ideal decisions of key parameters and subsequently most extreme feasible additions. The explanatory and mimicked results demonstrate that the proposed method is fit for lessening the PAPR adequately with insignificant impact on BER as a byproduct of a slight decrease in information rate. For instance, for 1024 subcarriers, the PAPR can be decreased from 13 dB to beneath 7.4 or 6.9 dB, as an end-result of just 1% or 2% decrease in information rate, individually[7]. A. M. Rateb et al., shows up by the broad examination of different execution measurements, which prompts ideal decisions of key parameters and consequently most extreme attainable additions. The scientific and reenacted results demonstrate that the proposed method is equipped for diminishing the PAPR viably with insignificant impact on BER as a byproduct of a slight decrease in information rate. For instance, for 1024

subcarriers, the PAPR can be decreased from 13 dB to underneath 7.4 or 6.9 dB, as a byproduct of just 1% or 2% decrease in information rate, individually. Furthermore, the attainable PAPR shifts all around marginally in light of expanding the quantity of subcarriers[8]. J. Lee et al., proposed framework utilizes IDWT (reverse discrete wavelet change) activity rather than iFFT task utilized in customary OFDM. A wavelet change is an activity that channels a flag utilizing wavelet and scaling premise capacities. Next, it is like to analyze the bit mistake rate (BER), unearthly effectiveness, and crest to average power proportion (PAPR) execution with the traditional OFDM framework through the plan of OFDM framework dependent on wavelet change. Therefore, the ordinary OFDM and wavelet-OFDM demonstrate the equivalent BER execution, and wavelet-OFDM utilizing the discrete Meyer wavelet had indistinguishable ghastly proficiency from the regular OFDM[9]. S. Verma et al., review various routing schemes in ad-hoc network that have recently been proposed to enhance throughput when transmitting and receiving packets during active communication. The review also focuses on the design of SIC routing protocol aiming at achieving high overall throughput compared to that of the hop count routing. In addition, the performance evaluation metrics are also discussed[10].

III. PROPOSED SYSTEM

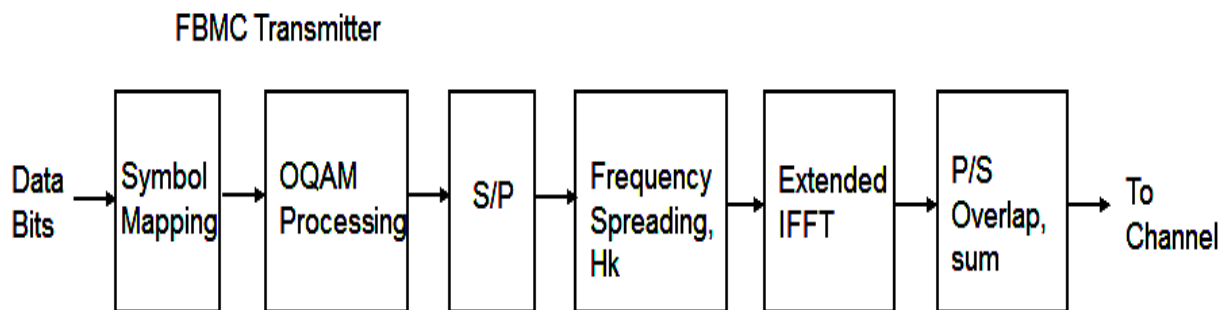


Figure 2: FBMC Transmitter

Figure 2 demonstrating FBMC filters each subcarrier adjusted sign in a multicarrier framework. The model filter is the one utilized for the zero frequency bearer and is the reason for the other subcarrier filters. The filters are portrayed by the covering factor, K which is the quantity of multicarrier images that cover in the time area. The model filter request can be picked as $2 \cdot K - 1$ where $K = 2, 3, \text{ or } 4$. The current FBMC usage utilizes frequency spreading. It utilizes a $N \cdot K$ length IFFT with images covered with a deferral of $N/2$, where N is the quantity of subcarriers. This structure decision makes it simple to break down FBMC and contrast and other modulation strategies..

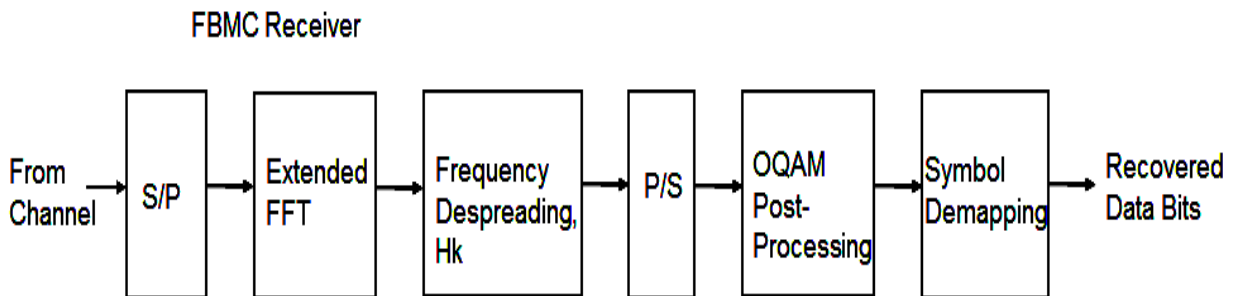


Figure 3: FBMC Receiver

Figure 3 is appearing of an essential FBMC demodulator and measures the BER for the picked setup without a channel. The handling incorporates coordinated filtering pursued by OQAM division to frame the got information images. These are de-mapped to bits and the resultant piece blunder rate is resolved. Within the sight of a channel, direct multi-tap equalizers might be utilized to relieve the impacts of frequency-selective fading.

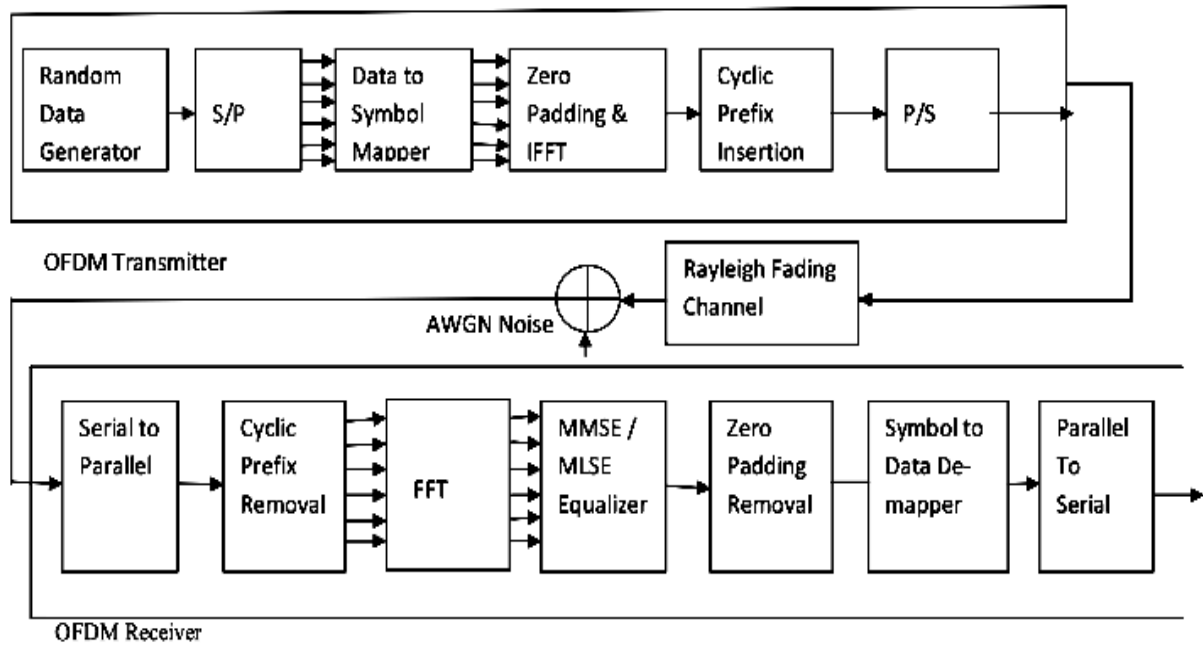


Figure 4: OFDM system

Orthogonal Frequency Division Multiplexing (OFDM) is a technique for transmitting large amounts of digital data over a radio wave the technology works by splitting the radio signal into multiple smaller sub-signals that are then transmitted simultaneously at different frequencies to the receiver.

IV. SIMULATION RESULTS

This section deals with the results of work done in the paper. From signal generation to channel estimation result and comparison with previous one has presented in this chapter. Also Simulation parameter that has been used in this paper are discuss here-

Table.1: Simulation parameter

Sr No.	Parameter	Value
1	No of channel	1
2	Modulation order	3
3	SNR	50 dB
4	Modulation name	PAM
5	Monte carlo repetition	1
6	Noise	0.0012

Table 1 is showing simulation parameter, which is using during simulation; we can change the simulation value as per model and simulation scenario.

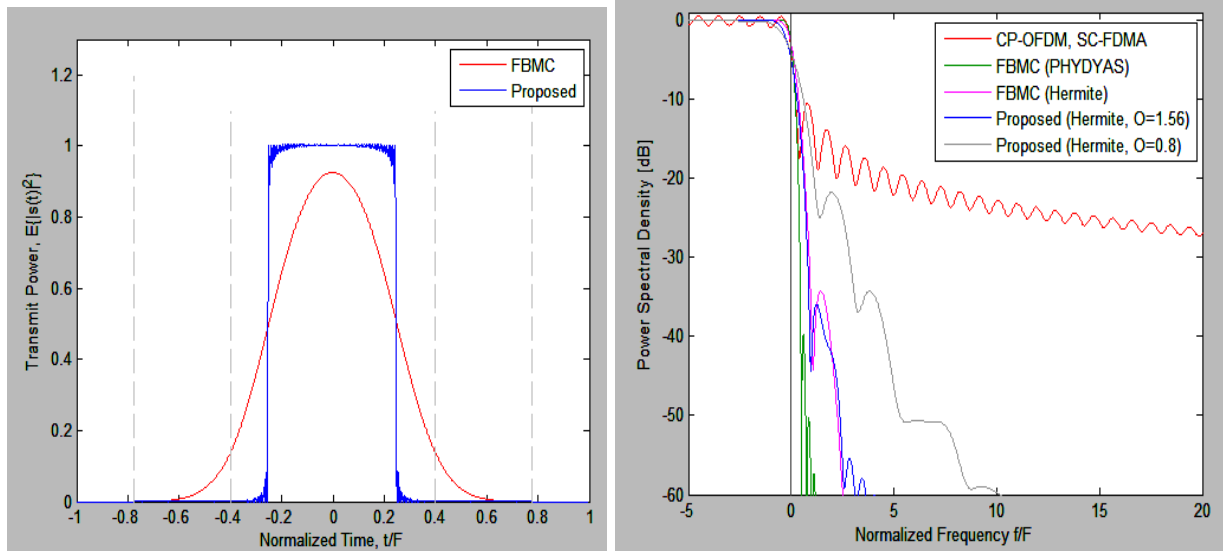


Figure 5: (a) Transmit power vs time (b) Power spectral density vs normalized frequency

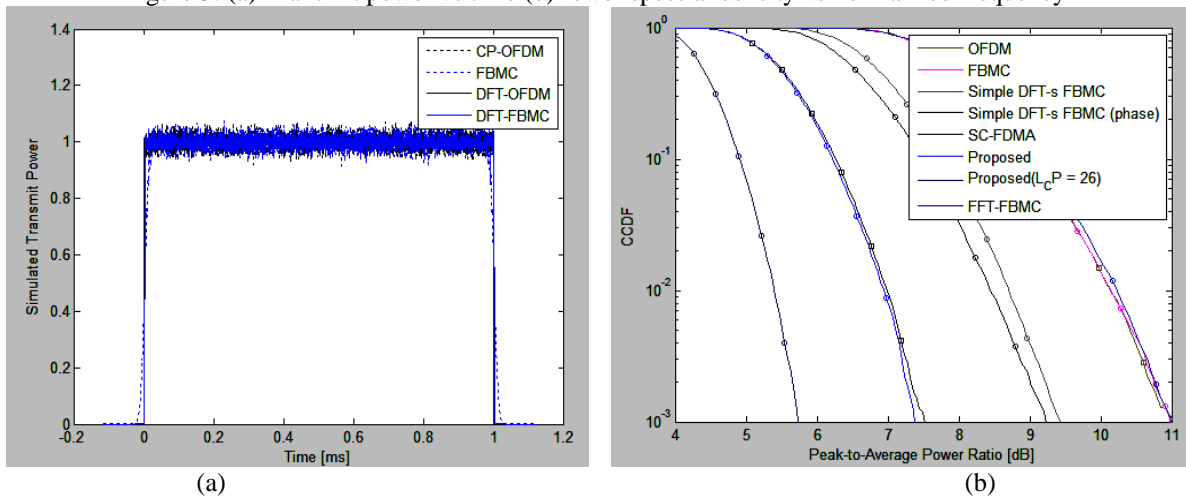


Figure 6: (a) Simulated Transmit power vs time (b) CCDF vs PAPR

Figure 5 and 6 are showing the transmitted power vs time analysis and some parameters like PAPR, complementary cumulative distribution function (CCDF). Therefore the result graph shows that there are various modulation schemes for advance wireless communication. Proposed scheme gives better results than previous.

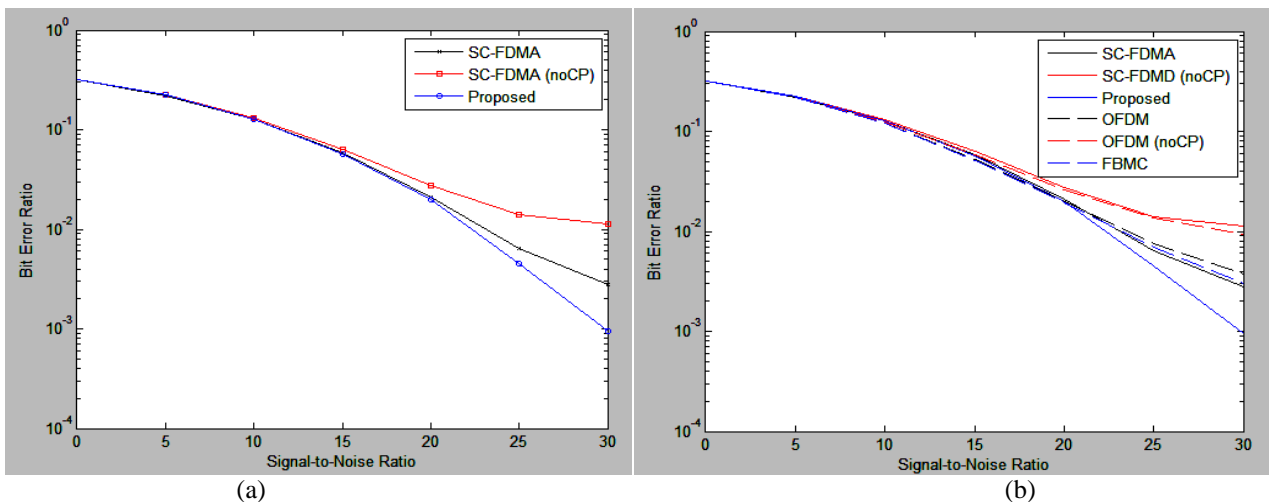


Figure 7: (a) SNR vs BER when SC-FDMA (b) SNR vs BER when FBMC

Figure 7 is showing bit error rate vs signal to noise ratio comparison graph. It is clear from graph proposed scheme gives better signal to noise ratio and reduced bit error rate.

Table 2: Comparison of previous work with proposed work

Sr No.	Parameter	Previous Work	Proposed Work
1	Software	MATLAB	MATLAB
2	Proposed Method	FBMC	FBMC-OFDM
3	Simulation Time	NA	200 Sec.
4	Complexity	Two times higher	Less Complex
5	Modulation Scheme	OQAM	New (FBMC-OFDM)
6	PAPR	11	7.5
9	SNR	10	30
10	BER	10^{-2}	10^{-3}
11	Power Spectral Density	NA	-60 W/Hz

V. CONCLUSION

A method of designing FBMC systems for a near-optimum performance in doubly dispersive channels is presented and its superior performance over OFDM is shown. As a multicarrier scheme, FBMC can benefit from multi-antenna systems. MIMO techniques can also be applied Modulation and multiplexing is a key technique to make successful communication in long distance. Future wireless communication proposed various new single and hybrid technique for modulation and multiplexing like NOMA replace the OFDM. FBMC has also a lot of advantages, due to this researcher are proposing this technique. This paper proposed FBMC-OFDM technique for new modulation scheme in next generation communication applications.

REFERENCES

1. M. N. GEETHA, M. S. SAHANA and R. A. Lal, "The Relative Study of PAPR Reduction Techniques for LTE OFDM Scheme," *2017 International Conference on Current Trends in Computer, Electrical, Electronics and Communication (CTCEEC)*, Mysore, 2018, pp. 558-561.
2. A. Lipovac and A. Mihaljević, "BER Based OFDM PAPR Estimation," *2018 26th International Conference on Software, Telecommunications and Computer Networks (SoftCOM)*, Split, 2018, pp. 1-6.
3. R. Aishwarya Lal, M. N. Geetha and M. S. Sahana, "The Relative Study of Peak-to-Average Power Ratio Reduction Techniques for LTE OFDM System," *2017 International Conference on Current Trends in Computer, Electrical, Electronics and Communication (CTCEEC)*, Mysore, 2017, pp. 520-523.
4. Guruprasad, Mohana and H. V. R. Aradhya, "PAPR reduction and performance analysis of modulation techniques in OFDM for WLAN applications," *2016 International Conference on Signal Processing, Communication, Power and Embedded System (SCOPE)*, Paralakhemundi, 2016, pp. 1567-1572.
5. K. Kim, J. No and D. Shin, "On the Properties of Cubic Metric for OFDM Signals," in *IEEE Signal Processing Letters*, vol. 23, no. 1, pp. 80-83, Jan. 2016.
6. L. Cho, H. -. Liao and C. -. Hsu, "Adjustable PAPR reduction for DFT-s-OFDM via improved general precoding scheme," in *Electronics Letters*, vol. 54, no. 14, pp. 903-905, 12 7 2018.
7. A. M. Rateb and M. Labana, "An Optimal Low Complexity PAPR Reduction Technique for Next Generation OFDM Systems," in *IEEE Access*, vol. 7, pp. 16406-16420, 2019.
8. A. M. Rateb and M. Labana, "An Optimal Low Complexity PAPR Reduction Technique for Next Generation OFDM Systems," in *IEEE Access*, vol. 7, pp. 16406-16420, 2019.
9. J. Lee and H. Ryu, "Wireless Communication System Based on OFDM System Using Wavelet Transform," *2018 Progress in Electromagnetics Research Symposium (PIERS-Toyama)*, Toyama, 2018, pp. 2041-
10. S. Verma, "A Study on Bandwidth-Aware Routing Protocol based on SIC", *IJOSTHE*, vol. 3, no. 4, p. 4, Aug. 2016. <https://doi.org/10.24113/ojssports.v3i4.85>.
11. K. S. Ramtej and S. Anuradha, "PAPR Reduction in LTE Uplink Communications by Airy Companding Transform," *2018 9th International Conference on Computing, Communication and Networking Technologies (ICCCNT)*, Bangalore, 2018, pp. 1-5.
12. R. Ahmad, A. Srivastava and H. A. I. Selmy, "Advanced Modulation Techniques for Low PAPR in VLC System," *2018 20th International Conference on Transparent Optical Networks (ICTON)*, Bucharest, 2018, pp. 1-5.



INNO  **SPACE**
SJIF Scientific Journal Impact Factor

Impact Factor:
7.512

ISSN INTERNATIONAL
STANDARD
SERIAL
NUMBER
INDIA



INTERNATIONAL JOURNAL OF INNOVATIVE RESEARCH

IN SCIENCE | ENGINEERING | TECHNOLOGY

 **9940 572 462**  **6381 907 438**  **ijirset@gmail.com**



www.ijirset.com

Scan to save the contact details