

# Automatic Sun Tracking System Using PSoC

Bhavesh Pandey<sup>1</sup>, Anita Agrawal<sup>2</sup>

<sup>1</sup>B.E.(Hons.), Department of Electrical and Electronics Engineering BITS-Pilani, Goa campus India

<sup>2</sup>Assistant Professor, Department of Electrical and Electronics Engineering and Instrumentation, BITS-Pilani, Goa campus India

**Abstract:** Vast amount of energy is available within the core of sun. The energy that is received from sun in an hour is more than that is consumed by us in a year [1]. If human race is able to capture even 1% of the total energy which sun delivers then we can cater the need of our race for decades. Efforts are continuously being made to capture as much energy as we can in order to store most of the energy which we are getting. In this paper a device called solar tracker has been discussed. Solar panels give maximum output when the plane of the solar collector is normal to incident radiations [2]. The system discussed in this paper uses a PSoC device to control a small model of solar tracker. Voltage across the solar panel and a photoresistor is fed as an input to the PSoC to be processed and the output is fed to the geared DC motor.

**Keyword:** Photovoltaic Cells, Solar Tracker, PSoC (Programmable System on Chip), Efficiency, ADC (Analog to Digital Converter), MUX (Multiplexer).

## I. INTRODUCTION

Solar cells or photovoltaic cells are semiconductor diodes that convert available sunlight (at least a portion) into electrical power. They are basically P-N junction photodiodes with very large light-sensitive area [3]. Each photodiode is a solar cell. All these cells are connected inside a module to form a solar panel. These solar panels are cascaded together to form arrays to generate high power electricity [4]. To attain the maximum benefit from these solar panels, we need to position them in the direction that captures most of the energy. This direction depends upon various factors. The panels are mounted at a fixed tilt, but because sun keeps changing its position due to the rotation as well as the revolution of earth, these panels can capture more energy if their tilt is adjusted periodically.

A detailed observation of solar panel in various weather conditions was first carried out. And setting these observations as our operating point, we made a set-up around the PSoC platform and controlled the direction of solar panel.

## II. ADJUSTING THE TILT

The graph in Figure 1 [5] shows the comparative study of output from solar panels. Green line shows the output of the tracking panel. We can see that this line is above than fixed or adjusted (twice a year) solar panel output line [6]. Normally the efficiency of fixed solar panels is about 15% to 20% [6] but the efficiency of the rotating panels over the period of a year can be as much as 30% to 35% [8, 9, 10, 11, 12, 13]. There are two types of trackers (i) Single axis (ii) Dual axis. Single axis has one degree of freedom (only the daily rotation of earth is considered) while dual axis has two degrees of freedom (seasonal change in the position of sun is also considered). For six months sun remains towards northern side and for next six months it remains towards southern side [13]. Dual axis trackers are designed to follow exact path of sun during these seasonal changes. The output which we get from dual axis is more than that obtained from single axis but it also requires more input as it has more complex circuitry. But difference between the efficiency of both models is not more than 2% to 5% [14]. In this paper single axis solar panels has been discussed.

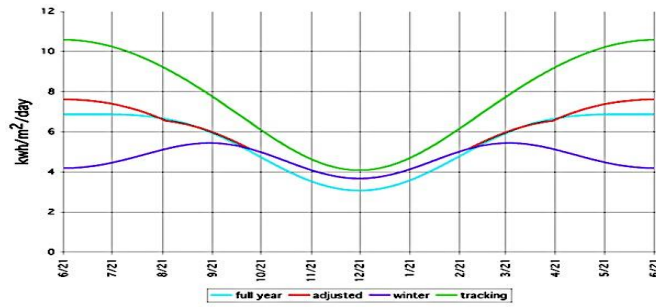


Figure 1. Comparison between tracking and fixed solar panels (Courtesy www.masclab.com)

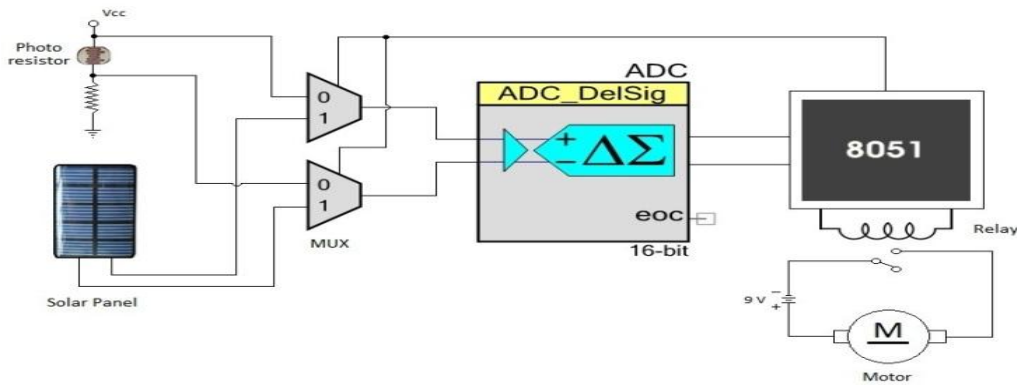


Figure 2. System Description

### III. SYSTEM DESCRIPTION

Figure 2 shows the system design. It uses one 3 V solar panel for receiving the input voltage from the sun. The system works only when the input from the panel is more than a specified value. This value is based on the observation that when sun is shining, what is the minimum voltage we are obtaining from the panel. In our case this voltage is 2.67 V. If the voltage across solar panel is more than 2.67 V, the processor sends the instruction to change the select signal of MUX. This takes the value of voltage across the photo resistor. The photo resistor is in series with a fixed resistor of 3.3 KΩ, connected across a supply of 3.3 V and the whole circuit works as a voltage divider circuit. The photo resistor is housed in a cup work when sun is at specified angle as shown in figure 3. This angle can be changed by changing the length 'L' of the cup.

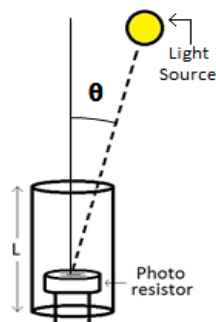


Figure 3. Angle of incidence at which photoresistor works

When there is no incident light on resistor, its resistance is infinite but as this setup is kept in daylight the resistance is not infinite but it is such that (almost) voltage  $V_{cc}$  (3.3V) appears across it. When sunlight falls on it, resistance is decreased and the voltage across it decreases. This is the basic principle behind this photoresistor working as a position sensor for sun. After changing select line of MUX, the input to the microprocessor is the voltage across photoresistor. It compares the value of this voltage with 2.56 V. This value was also obtained after observation. This is the maximum voltage across resistor when sunlight falls on it. This value can also be adjusted by adjusting the value of the fixed resistance in the circuit. If the voltage is greater than this value, then the processor sends the signal to rotate the panel until it drops below 2.56 V. When both the conditions i.e. voltage across Solar panel is more than 2.67 V and the voltage across photoresistor is less than 2.56 V, are satisfied, then we achieve the maximum output from the solar panel.

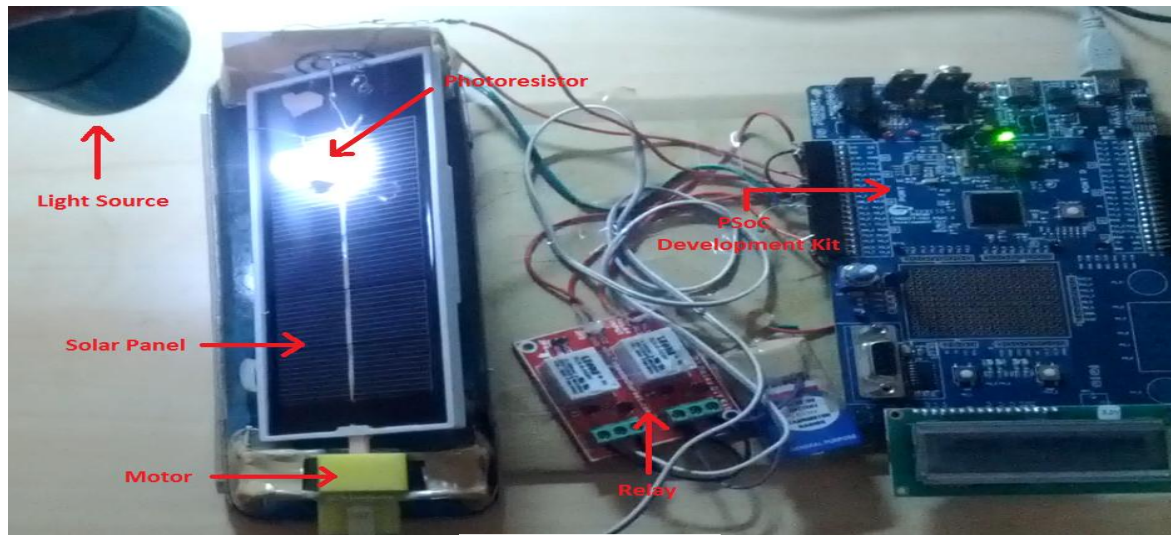


Figure 4. Position 1

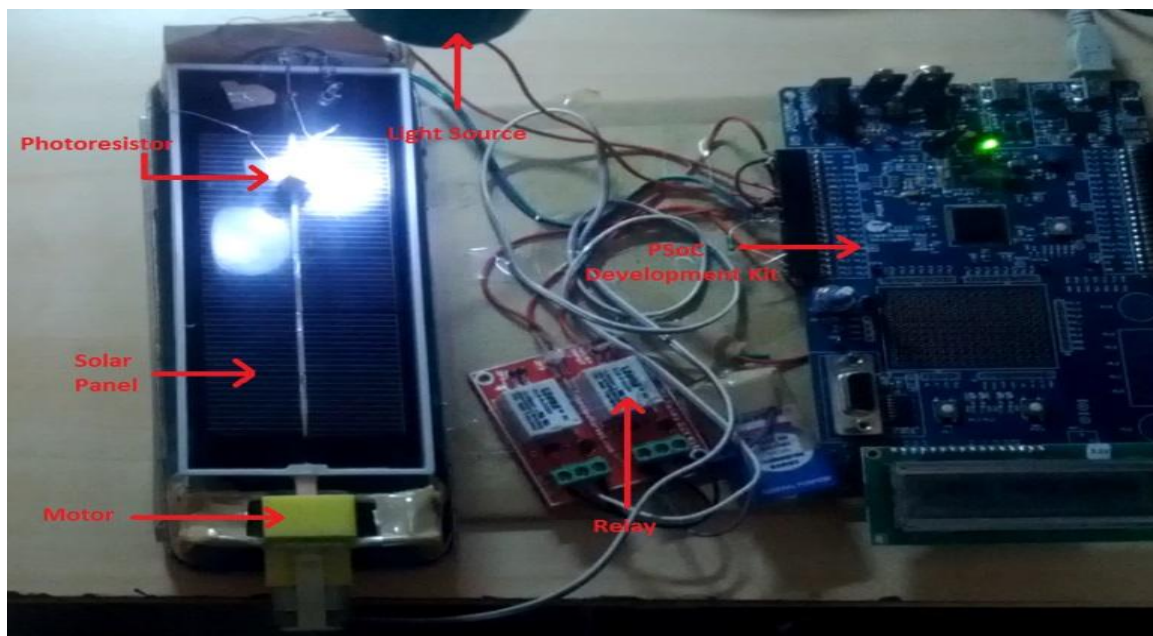


Figure 5 :Position 2

#### IV. RESULTS

The design was tested using a light source modeled as sun. For this we had to change few values in the code to match with the new light source. Figure 4 and Figure 5 shows the response at two different positions of the light source. The system was working perfectly and the response was same as expected in figure 1.

#### V. ADVANTAGES

The main advantage of this system is low power consumption. It takes very less power which can be also driven directly from the solar panel or from a DC battery with recharging mechanism. In the evening when sun sets, the solar panel stops rotating and on the next day it has to come to its original position. In other systems, this task is done using another mechanism for retracing back the path during night. But in our system this is achieved by full rotation ( $\approx 180^\circ$ ) in the same direction. This consumes almost equal power as it takes in retracing back but it saves the energy which is required to power up the extra circuitry for retrace mechanism. Also the retrace mechanism would require energy during night to retrace but our mechanism becomes active only when sun is present, hence it can always get the power from sun.

Another advantage is that the system is fully automatic. No manual work is needed to switch on or off at any time. The system is very accurate too. The propagation delay is in milliseconds.

#### VI. LIMITATIONS

- (i) The module is designed only for single axis rotation not for dual axis.
- (ii) It can't retrace back its path. Returning back to its original position after the sunset, is done by rotating the panel fully 180 degrees. This consumes more space than the systems which retrace back their path.

#### VII. FUTURE SCOPE

In future this project can be implemented on large solar plants. We can make the system easier to use by implementing it using a single microcontroller connected with a small module mounted near the larger solar panels and then sending the information about the change in the angle of tilt from small panel to the larger ones, either using wired or wireless connection to control the larger ones accordingly. This system is designed to operate continuously. But it can be also designed it to receive the inputs at fixed intervals of time (maybe 4 or 5 minutes). This will also result in reduced power consumption at a great level.

#### VIII. CONCLUSION

An efficient and low power PSoC based sun tracker had been designed. One microcontroller can be used to control many solar panels; only the correct information needs to be sent. Efficiency is increased almost by the factor of 2. Hence reliable, economical, compact and efficient system of solar energy conversion had been made possible with this design. In a nutshell, the output of this effort is just a small drop in the big ocean of science and technology, in order to make life simpler, easier and enjoyable.

#### REFERENCES

- [1] NANOCO group PLC,  
<http://www.nanocotechnologies.com/content/CommercialApplications/Solar.aspx>
- [2] J. Rizk, and Y. Chaiko, "Solar Tracking System: More Efficient Use of Solar Panels", World Academy of Science, Engineering and Technology, 41, 2008.
- [3] SolarPower  
<http://www.solar-power-answers.co.uk/basics.php>
- [4] SolarGreen <http://www.solargreen.net.au/solarcell.php>
- [5] MacsLab <http://www.macs-lab.com/optsolar.html>

- [6] TheerawutJinayim, SomchaiArunrungrasmi, et al. “Highly Efficient Low Power Consumption Tracking Solar Cells for White LED-Based Lighting System”International journal of electrical, computer, and systems engineering volume 1 number 2 2007 ISSN 1307-5179
- [7] João M. G. Figueiredo, José M. G. Sá da Costa, “Intelligent Sun-Tracking System for Efficiency Maximizationof Photovoltaic Energy Production”.
- [8] Siemens <http://www.siemens.com/innovation/en/news/2011/solar-panels-track-the-sun-for-more-efficiency.htm>
- [9] A.B. Afarulrazi, W. M. Utomo, “Solar Tracker Robot using Microcontroller”, 2011, International Conference on Business, Engineering and Industrial Applications (ICBEIA).
- [10] F. Huang, D.Tien, James Or, “A Microcontroller Based Automatic Sun Tracker with a New Solar energy Conversion Unit”
- [11] A.Canova, L.Giaccone, and F. Spertino, “Sun Tracking for Capture Improvement”, 22nd European Photovoltaic Solar Energy Conference EUPVSEC, WIP Renewable Energies, Milano. 3053-3058, September 2007.
- [12] H.D. Mohring, F. Klotz, and H. Gabler, “Energy Yield of PV Tracking Systems”, 21st European Photovoltaic Solar Energy Conference - EUPVSEC, WIP Renewable Energies, Dresden. 2691-2694, September 2006.
- [13] S. Abdallah and S. Nijmeh, “Two-Axis Sun Tracking with PLC Control,” in Energy Conversion and Management, vol. 45, 2004.1931-1939.
- [14] A. Yazidil, F. Betin, et al. “Low cost two-axis solar tracker with high precision positioning”.

### BIOGRAPHY



**Bhavesh Pandey** is doing Bachelors of Engineering in Electrical and Electronics Engineering from BITS Pilani K.K. Birla Goa Campus. His interests includes microcontrollers and chip designing.



**Dr. Anita Agrawal** is Assistant Professor at BITS Pilani K.K. Birla Goa Campus. She obtained her B.E., M.E. and PhD in Electronics Engineering from Govt. College of Engineering, Amravati. She is a recipient of the distinguished faculty award at the BITSAA first global meet in New Delhi in 2011, at the hands of the C.M. of Maharashtra and Shiksha Rattan Puraskar at New Delhi in 2011. Anita has held various academic and administrative posts including the Asst.Prof & H.O.D. (Electronics & Telecommunication) at RIT, Goa, Lecturer at Army Institute of Technology, Pune and Lecturer at Govt.College of Engineering, Amravati, Maharashtra from 1990 to 2002. She did her research on “Medical diagnosis using Image Processing and FPGA”. She authored seven journal articles and two conference papers. Her Interest includes Reconfigurable Computing, System-On-Chip, VLSI Design & Embedded Systems, Sensors & Measurement systems, smart grid power monitoring system, image processing, FPGA etc.