

SIMULATION AND IMPLEMENTATION OF PWM INVERTER FED INDUCTION MOTOR DRIVE

G. Pandian¹, S. Rama Reddy²

Research Scholar, Department of Electrical & Electronics Engg, Bharath University, Chennai, India¹

Professor, Department of Electrical & Electronics Engg, Jerusalem College of Engineering, Chennai, India²

Abstract: This paper presents Simulation of three phase PWM Inverter fed Induction Motor Drive using Pspice. The proposed induction motor drive model employs only seven switches and incorporates an active current shaping feature. The boost converter at the input can give the required voltage at the input of inverter. The boost converter also improves the power factor. The drive works satisfactorily at low input voltage since the boost converter maintains required voltage.

Keywords: Diode, PWM, voltage vector, inverter, induction motor.

I. INTRODUCTION

Pulse Width Modulated (PWM) inverter systems are used in a wide variety of applications as a front-end power-conditioning unit in Electric drives, Uninterruptible power supplies, High Voltage DC transmission, Active power filters, reactive power compensators in power systems, Electric vehicles, Alternate energy systems and Industrial processes. The inverters realize dc-to-ac power conversion and in the most commonly used voltage source inverter configuration. The dc-input voltage can be obtained from a diode rectifier or from another dc source such as a battery [1]. A typical voltage source PWM inverter system consists of rectifier, DC-link, PWM inverter along with associated control circuit and the load. Most modern voltage source inverters are controlled using a wide variety of pulse width modulation schemes, to obtain output ac voltages of the desired magnitude and frequency shaped as closely as possible to a sine wave. Analysis of PWM inverter system is required to determine the input-output characteristics for an application specific design, which is used in the development and implementation of the appropriate control algorithm [2]. In addition to time domain analysis, harmonic assessment is an integral part of analysis and simulation of any power conversion system.

II. THREE PHASE PWM INVERTER

The three-phase PWM inverter is the dc-ac converter as shown in figure 1. The PWM inverter is to generate nearly sinusoidal current which it can be controlled. The voltage and current are controlled with 120° different in each phase. The controlling signals of three-phase PWM inverters have many pattern controls. The operations three-phase inverter can be defined in eight modes [5] which shows status of each switch in each operations mode. From operations mode, the current can not flow to load in mode 0 and 7 while current can flow to load in mode 1 to 6. Then, it can draw two equivalent circuits for operations mode which mode 1 operation is the same as of those 2 and 4 and mode 3 is the same as 5 and 6. Whether during rectification or inversion, sinusoidal current shaping can be reduced to a voltage control in which the controlled voltage source is connected to an ac source through an inductance. The pulse generator for single phase to three phase and three phase to three phase inverter fed drive system is shown in figure 2.

International Journal of Innovative Research in Science, Engineering and Technology

(An ISO 3297: 2007 Certified Organization)

Vol. 2, Issue 11, November 2013

In inverter operation, the necessary phase-leg-short is naturally realized through anti-parallel diodes in the three-phase bridge. Accordingly, the same gate pulses as in the conventional VSI can be applied. On the other hand, the switch on the dc link must actively operate. The operation of PWM inverter can generate noises into the system in both of conducted and radiated EMI. The conducted EMI measurement which is succeeded by Line Impedance Stabilization Network, from the investigation of input voltage waveform of the inverter, the waveform consists of fundamental signal and high frequency signals. The high frequency signals or ringing signal are undesigning signals which call noises. The ringing signals are detected by Line Impedance Stabilization Network. Then the ringing signals are noises, which are occurred by the operating of the switching devices of PWM inverter, during turn-on or turn-off condition [6].

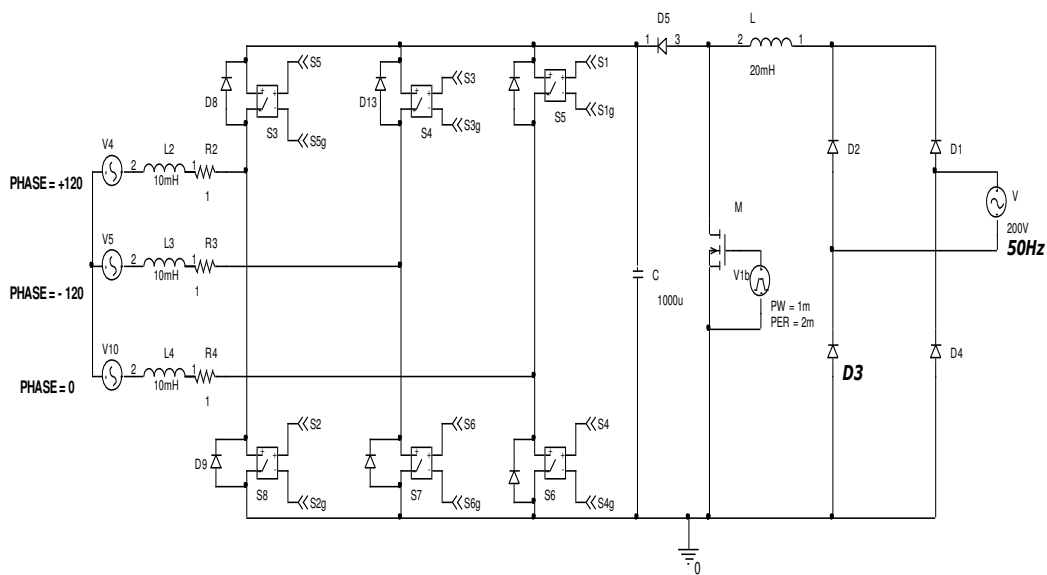


Fig. 1 Single phase to three phase inverter

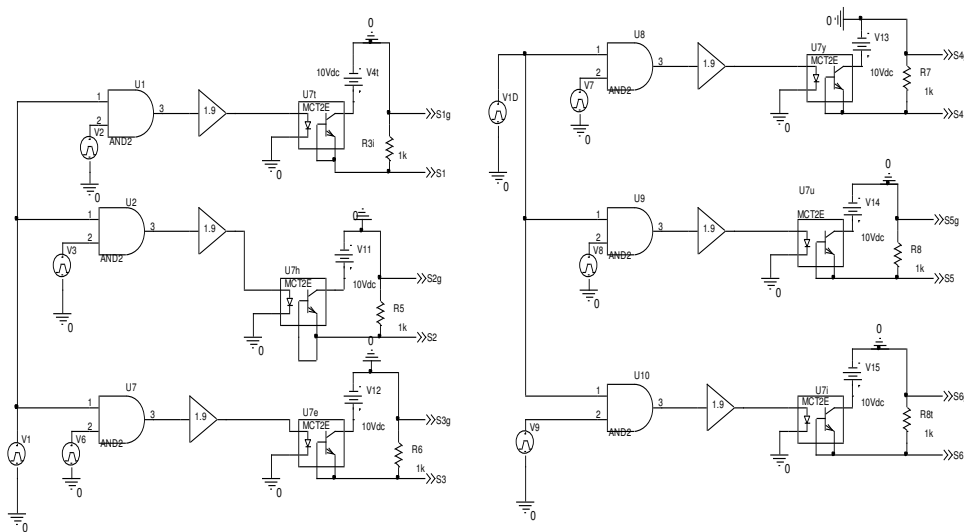


Fig. 2 Pulse generator circuit

**International Journal of Innovative Research in Science,
Engineering and Technology**

(An ISO 3297: 2007 Certified Organization)

Vol. 2, Issue 11, November 2013

III. VOLTAGE SOURCE INVERTER FED INDUCTION MOTOR

The circuit model of three phase rectifier with boost converter and three-phase inverter system is shown in Figure 3. The output is connected to the three phase stator of star connected induction motor. The power devices are assumed to be ideal, when they are conducting, the voltage across them is zero, they present an open circuit in their blocking mode. The phase voltages are derived from the line voltages in the following manner by assuming a balanced three-phase system [9].

The line voltages in terms of the phase voltages in a three-phase system with phase sequence abc are

$$V_{ab} = V_{as} - V_{bs} \tag{1}$$

$$V_{bc} = V_{bs} - V_{cs} \tag{2}$$

$$V_{ca} = V_{cs} - V_{as} \tag{3}$$

where V_{ab} , V_{bc} , and V_{ca} are the various line voltages and V_{as} , V_{bs} , and V_{cs} are the phase voltages. Subtracting equation (3) from equation (1) gives

$$V_{ab} - V_{ca} = 2V_{as} - (V_{bs} + V_{cs}) \tag{4}$$

In a balanced three-phase system, the sum of the three phase voltages is zero :

$$V_{as} + V_{bs} + V_{cs} = 0 \tag{5}$$

Using equation (5) in (4) shows that the difference between line voltages V_{ab} and V_{ca} is

$$V_{ab} - V_{ca} = 3V_{as} \tag{6}$$

from which the phase a voltage is given by

$$V_{as} = \frac{V_{ab} - V_{ca}}{3} \tag{7}$$

Similarly, the b and c phase voltage are

$$V_{bs} = \frac{V_{bc} - V_{ab}}{3} \tag{8}$$

$$V_{cs} = \frac{V_{ca} - V_{bc}}{3} \tag{9}$$

The phase voltages derived from line voltages and the line-to-line voltages are 120 electrical degrees in duration, the phase voltages are six-stepped and of quasi-sine waveforms. These periodic voltage waveforms, when resolved into Fourier components, have the following form:

$$V_{ab}(t) = \frac{2\sqrt{3}}{\pi} V_{dc} \left(\sin \omega_s t - \frac{1}{5} \sin 5\omega_s t + \frac{1}{7} \sin 7\omega_s t - \dots \right) \tag{10}$$

**International Journal of Innovative Research in Science,
Engineering and Technology**

(An ISO 3297: 2007 Certified Organization)

Vol. 2, Issue 11, November 2013

$$V_{bc}(t) = \frac{2\sqrt{3}}{\pi} V_{dc} \left\{ \sin(\omega_s t - 120^\circ) - \frac{1}{5} \sin(5\omega_s t - 120^\circ) + \frac{1}{7} \sin(7\omega_s t - 120^\circ) \dots \right\} \quad (11)$$

$$V_{ca}(t) = \frac{2\sqrt{3}}{\pi} V_{dc} \left\{ \sin(\omega_s t - 120^\circ) - \frac{1}{5} \sin(5\omega_s t - 120^\circ) + \frac{1}{7} \sin(7\omega_s t - 120^\circ) \dots \right\} \quad (12)$$

The phase voltages are shifted from the line voltages by 30 degrees, and their magnitudes are $\frac{2\sqrt{3}}{\pi} V_{dc}$. Only the fundamental produces useful torque, and hence only it needs to be considered for the steady-state performance evaluation of inverter-fed ac motor drives. In this regard, the fundamental rms phase voltage for the six-stepped waveform is

$$V_{ph} = \frac{V_{as}}{\sqrt{2}} = \frac{2}{\pi} \cdot \frac{V_{dc}}{\sqrt{2}} = 0.45 V_{dc} \quad (13)$$

Irrespective of the control strategies employed in the induction motor drive, the input voltages are periodic in steady state. Hence, direct steady-state performance evaluation is possible by matching boundary conditions. PWM voltage inputs are considered for steady-state performance evaluation of the induction motor drive system. The PWM can be generated in any number of ways, sine-triangle, trapezoidal-triangle, space vector, sampled asymmetric method modulation strategies, etc. Because of their symmetry for either half-wave or full-wave, the boundary-matching technique is ideal for evaluating the steady-state current vector directly, without going through the dynamic simulation from start-up.

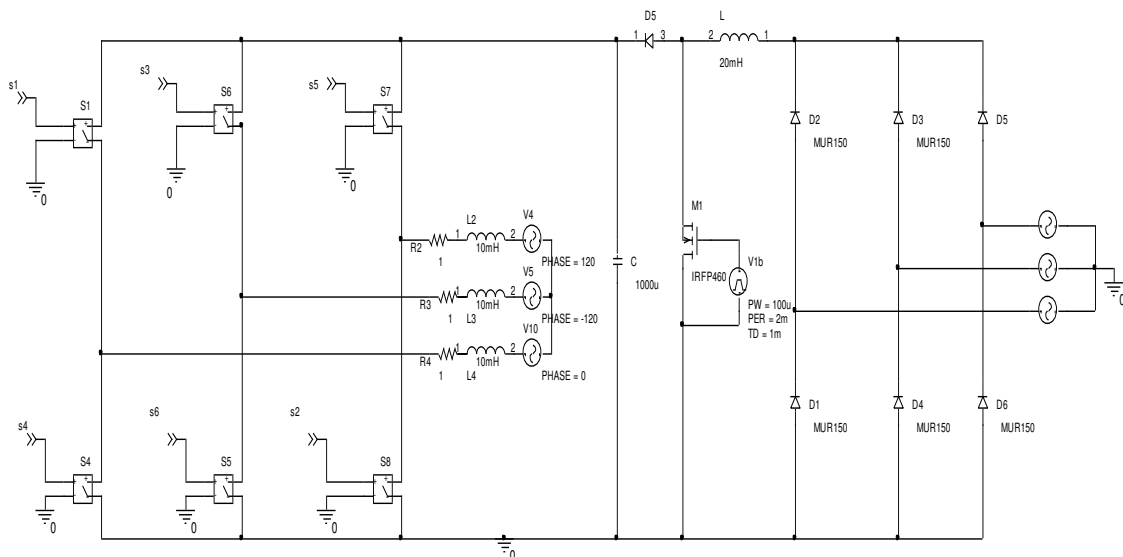


Fig. 3 Power circuit of three phase rectifier

IV. SIMULATION RESULTS

In three phase inverter fed drive circuit, the low voltage AC is converted into DC using a diode rectifier. It is boosted to the required value using the boost converter. DC is converted to variable voltage variable frequency AC using three

International Journal of Innovative Research in Science, Engineering and Technology

(An ISO 3297: 2007 Certified Organization)

Vol. 2, Issue 11, November 2013

phase PWM inverter. The output of PWM inverter is fed to the three phase induction motor. The phase voltage and line to line voltage are shown in figures 4 & 5 respectively. The fourier spectrum for the single phase to three phase inverter is shown in figure 6 and the fourier data is furnished in the table-1. The phase voltage waveforms for three phase to three phase inverter system are shown in figures 7 and the current waveforms are shown in figure 8. The fourier spectrum for this inverter system is shown in figure 9 and the fourier data is given in the table-2.

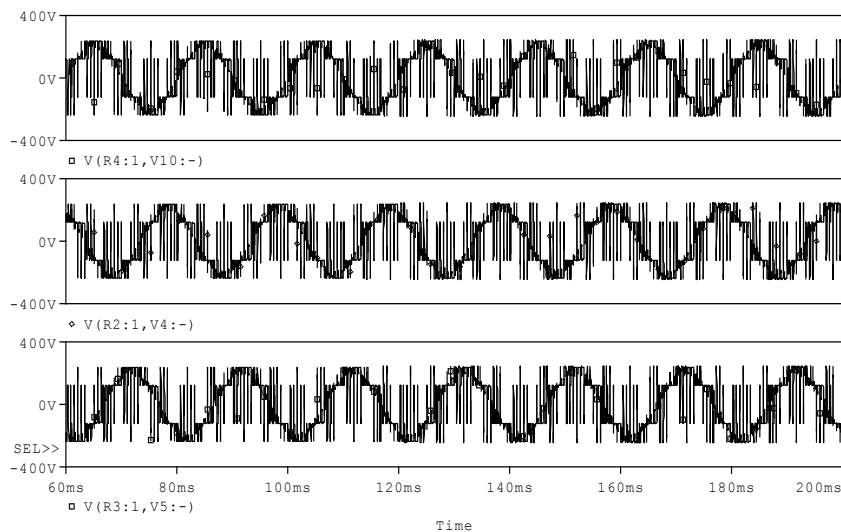


Fig. 4 Output Phase voltages

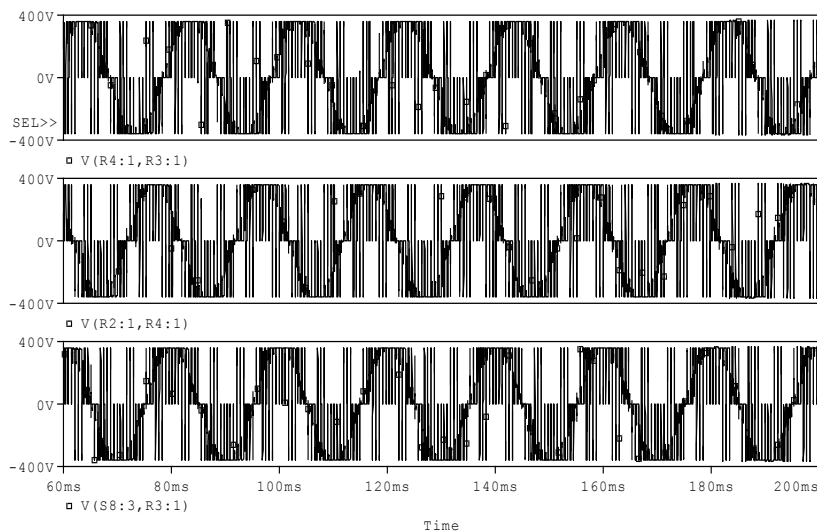


Fig. 5 Output line to line voltages

**International Journal of Innovative Research in Science,
Engineering and Technology**

(An ISO 3297: 2007 Certified Organization)

Vol. 2, Issue 11, November 2013

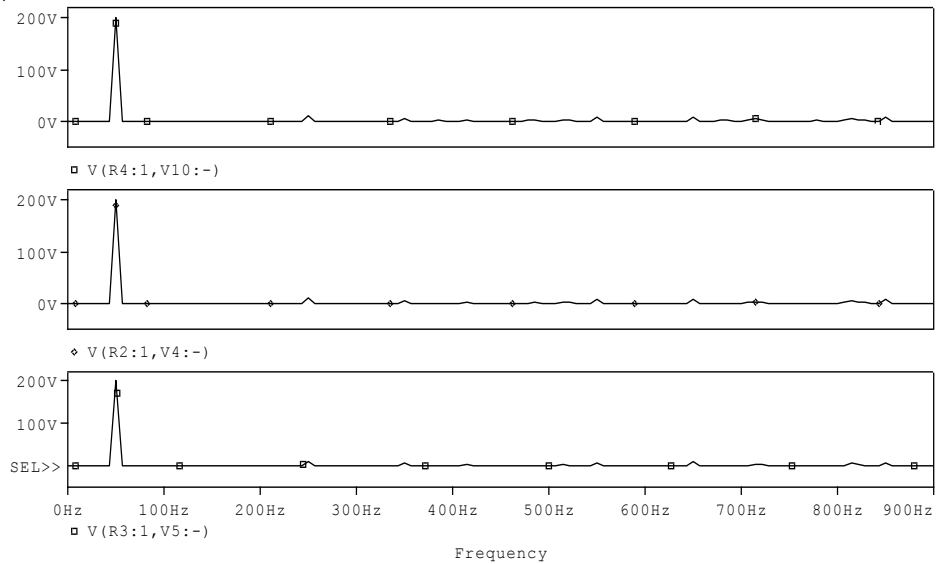


Fig. 6 Fourier Spectrum

TABLE. 1

DC COMPONENT = -2.953419E+00					
HARMONIC NO	FREQUENCY (HZ)	FOURIER COMPONENT	NORMALIZED COMPONENT	PHASE (DEG)	NORMALIZED PHASE (DEG)
1	5.000E+01	1.514E+01	1.000E+00	-4.681E+01	0.000E+00
2	1.000E+02	9.157E-01	6.050E-02	-7.788E+01	1.575E+01
3	1.500E+02	6.239E+00	4.122E-01	-8.906E+01	5.138E+01
4	2.000E+02	4.353E+00	2.876E-01	-5.235E+01	1.349E+02
5	2.500E+02	9.376E-01	6.195E-02	9.447E+01	3.285E+02
6	3.000E+02	3.976E+00	2.627E-01	-5.688E+01	2.240E+02
7	3.500E+02	4.072E+00	2.690E-01	1.489E+02	4.766E+02
TOTAL HARMONIC DISTORTION = 6.336107E+01 PERCENT					

International Journal of Innovative Research in Science, Engineering and Technology

(An ISO 3297: 2007 Certified Organization)

Vol. 2, Issue 11, November 2013

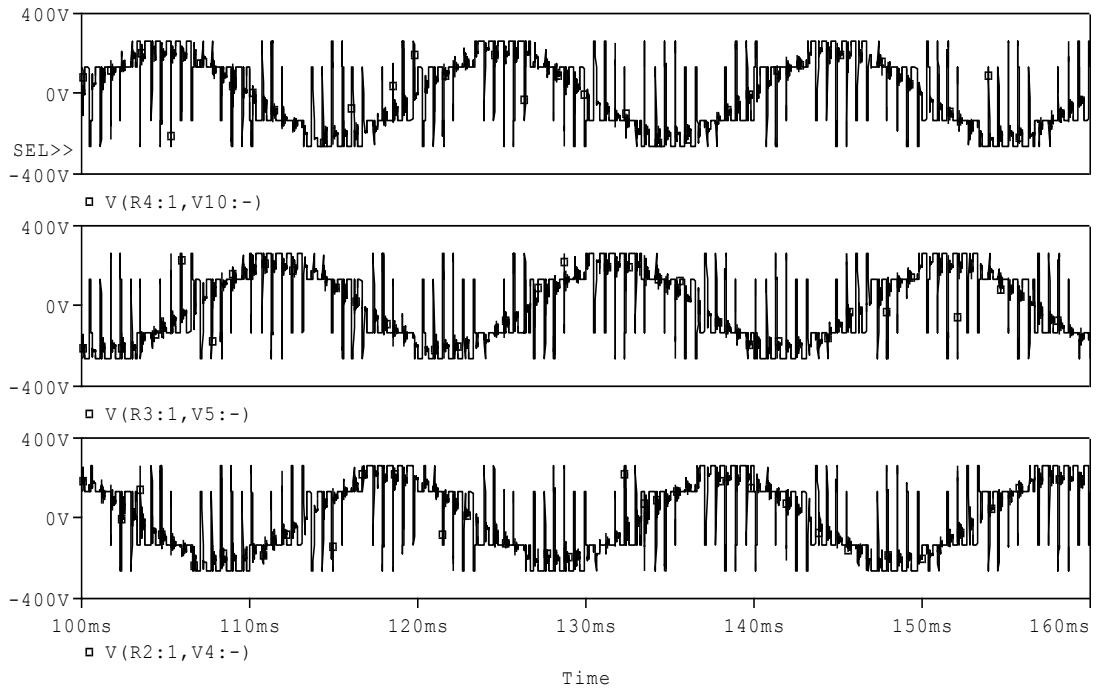


Fig. 7 Output Voltage waveform

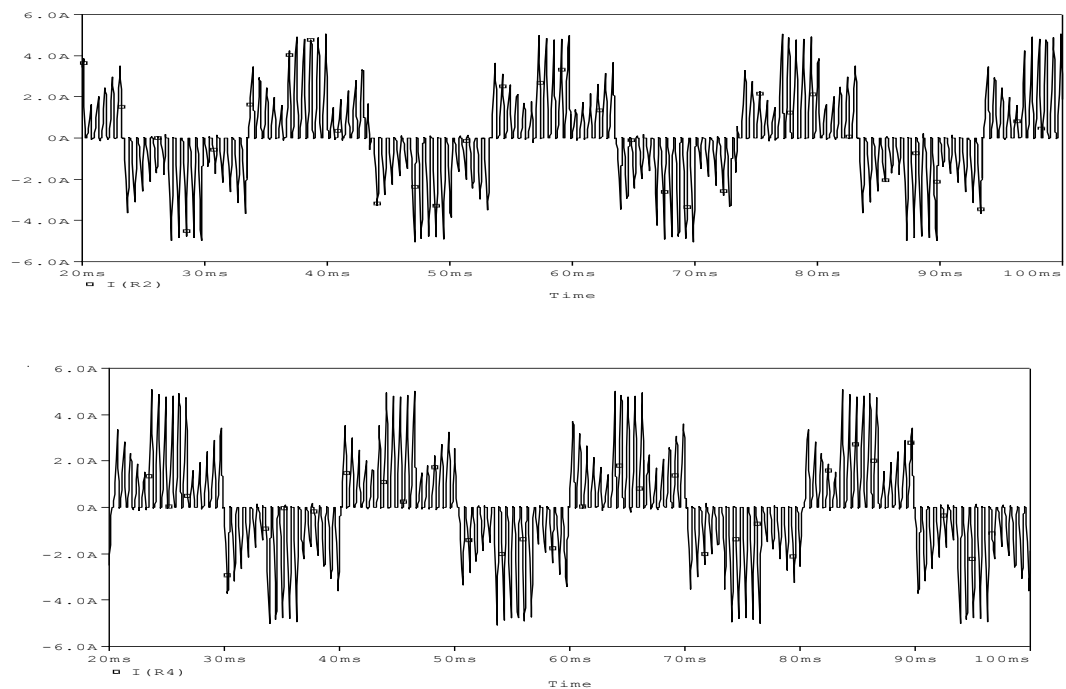


Fig. 8 Output current waveform

**International Journal of Innovative Research in Science,
Engineering and Technology**

(An ISO 3297: 2007 Certified Organization)

Vol. 2, Issue 11, November 2013

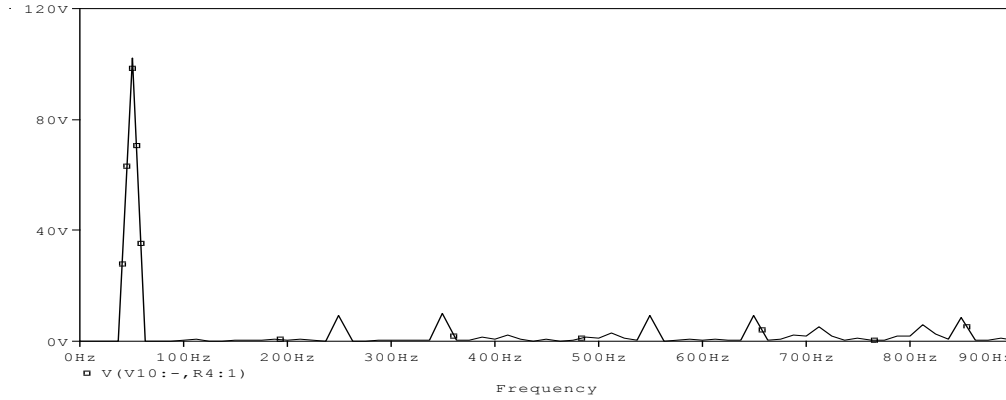


Fig. 9 Fourier Spectrum

TABLE. 2

DC COMPONENT = -2.212318E-02					
HARMONIC NO	FREQUENCY (HZ)	FOURIER COMPONENT	NORMALIZED COMPONENT	PHASE (DEG)	NORMALIZED PHASE (DEG)
1	5.000E+01	1.371E+00	1.000E+00	-2.774E+00	0.000E+00
2	1.000E+02	1.347E-01	9.822E-02	-9.393E+01	-8.838E+01
3	1.500E+02	2.533E-03	1.848E-03	-8.632E+00	-3.092E-01
4	2.000E+02	1.317E-01	9.608E-02	-9.812E+01	-8.703E+01
5	2.500E+02	5.547E-01	4.046E-01	-1.322E+01	6.550E-01
6	3.000E+02	4.663E-02	3.401E-02	-1.081E+02	-9.145E+01
7	3.500E+02	4.681E-01	3.414E-01	-2.165E+01	-2.230E+00
TOTAL HARMONIC DISTORTION = 5.480105E+01 PERCENT					

V. EXPERIMENTAL RESULTS

Microcontroller based voltage source inverter fed induction motor system is fabricated and tested. The control circuit is shown in Figure 10. The top view of the hardware is shown in Figure 11. The oscillogram of driving pulses from the micro controller are shown in Figure 12. The oscillogram of phase voltage is shown in Figure 13. The Atmel microcontroller 89C2051 is used to generate the pulses. The microcontroller operates at a clock frequency of 12 MHZ. The pulses produced by the microcontroller are amplified using the driver IC IR 2110. The driver ICs amplify the gate pulses to the required level.

**International Journal of Innovative Research in Science,
Engineering and Technology**

(An ISO 3297: 2007 Certified Organization)

Vol. 2, Issue 11, November 2013

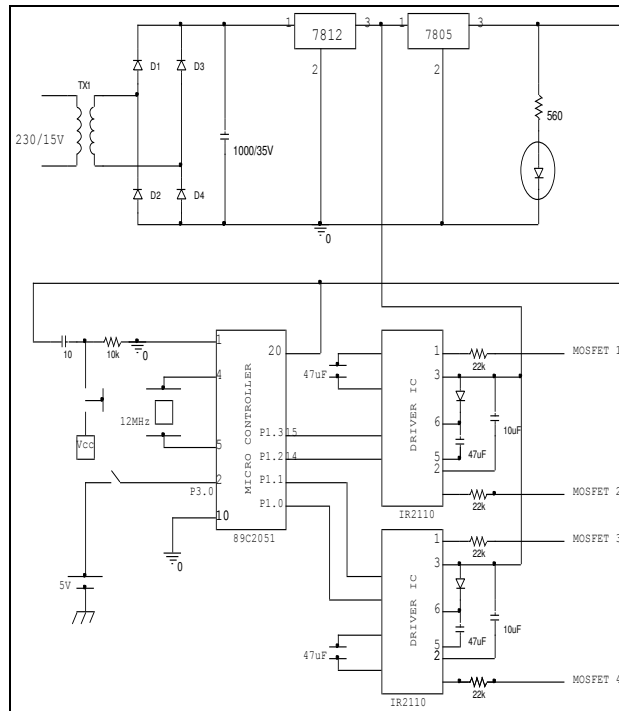


Fig. 10. Control circuit

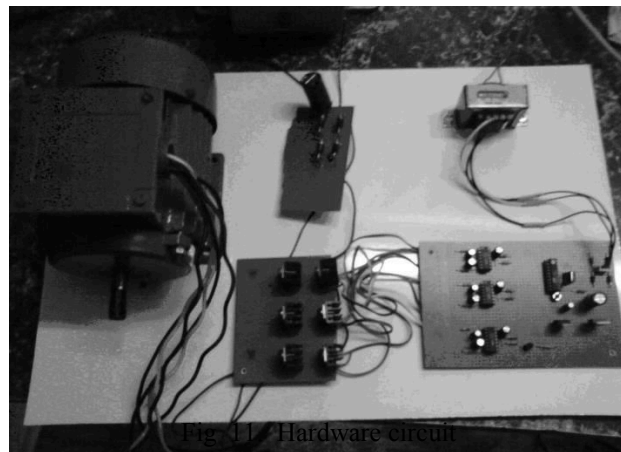


Fig. 11. Hardware circuit

Fig. 11. Hardware circuit

**International Journal of Innovative Research in Science,
Engineering and Technology**

(An ISO 3297: 2007 Certified Organization)

Vol. 2, Issue 11, November 2013

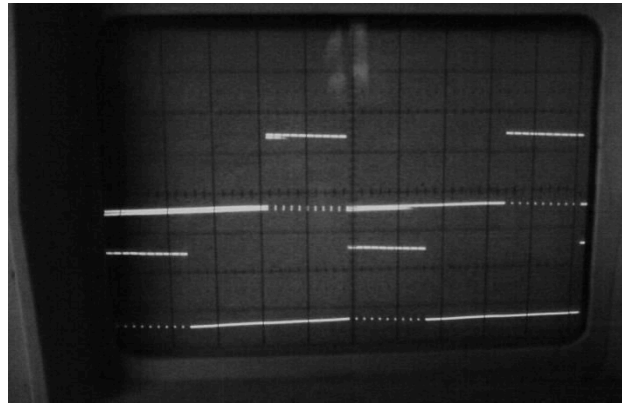


Fig 12. Osilloscope of driving pulses

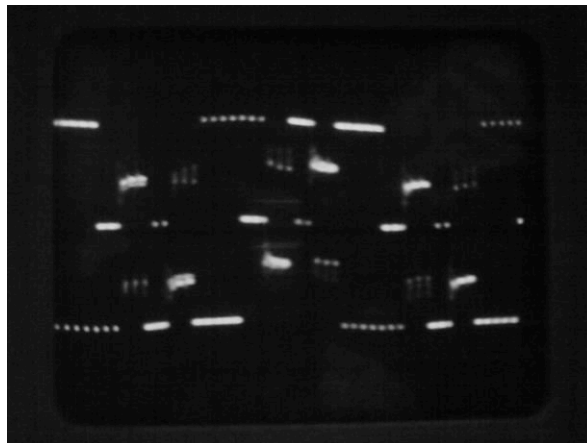


Fig 13. Osilloscope of Phase Voltage

VI. CONCLUSION

The circuit models for single phase to three phase inverter system and three phase to three phase inverter system were developed. The analysis of voltage source inverter fed induction motor drive was presented. The three phase PWM inverter fed induction motor drive is simulated using the circuit model developed. The simulation and experimental results for single phase to three phase inverter system and three phase to three phase inverter system are presented. The frequency spectrum for these cases is also presented. From the simulation studies it is observed that the harmonic distortion was lesser (5%) in three phase to three phase inverter system compared to the harmonic distortion with single phase to three phase inverter system (6.3%). The present work has suggested boost converter for inverter fed induction motor drive system to tackle the low input voltage problem. A 1KW inverter fed induction motor system is fabricated and tested. The experimental results coincide with the simulation results.

REFERENCES

- [1] J. K. Steinke and M. K. Buschmann, "Robust and reliable medium voltage PWM inverter with motor friendly output," Eur. Power Electron. Conf. (EPE'97), Norway, 1997, pp. 3502–3507.
- [2] P. Hammond, "A new approach to enhance power quality for medium voltage AC drives," IEEE Trans. Ind. Applicat., vol. 33, pp. 202–208, Jan./Feb. 1997.
- [3] B. Wu and F. DeWinter, "Voltage stress on induction motors in medium voltage PWM GTO CSI drives," IEEE Trans. Power Electron., vol. 12, pp.

International Journal of Innovative Research in Science, Engineering and Technology

(An ISO 3297: 2007 Certified Organization)

Vol. 2, Issue 11, November 2013

213–220, Mar. 1997.

[4] D. Busse, J. Erdman, R. Kerkman, D. Schlegel, and G. Skibinski, "Bearing currents and their relationship to PWM drive," IEEE Trans. Power Electron., vol. 12, pp. 243–252, Mar. 1997.

[5] K. Ratnayake and Y. Murai, "A novel PWM scheme to eliminate common-mode voltage in three-level voltage source inverter," PESC'98 Conf. Proc, Japan, May 1998, pp. 269–274.

[6] J. W. Dixon, A. B. Kulkarni, M. Nishimoto, and B. T. Ooi, "Characteristics of a controlled-current PWM rectifier–inverter link," IEEE Trans. Ind. Applicat., vol. IA-23, pp. 1022–1028, Nov./Dec. 1987.

[7] J. Jung, S. Lim, and K. Nam, "A feedback linearizing control scheme for a PWM converter–inverter having a very small DC link capacitor," IEEE-IAS Conf. Annu. Meeting, vol. 2, 1998, pp. 1497–1503.

[8] L. M. Malesani, L. Rossetto, P. Tenti, and P. Tomasini, "AC/DC/AC PWM converter with reduced energy storage in the DC link," IEEE Trans. Ind. Applicat., vol. 31, pp. 287–292, Mar./Apr. 1995.

[9] B. N. Singh, B. Singh, and B. P. Singh, "Fuzzy control of integrated current-controlled converter–inverter-fed cage induction motor drive," IEEE Trans. Ind. Applicat., vol. 35, pp. 405–412, Mar./Apr. 1999.

[10] R. Wu, S. B. Dewan, and G. R. Slemon, "Analysis of a PWM ac to dc voltage source converter under the predicted current control with a fixed switching frequency," IEEE Trans. Ind. Applicat., vol. 27, pp. 756–764, July/Aug. 1991.

[11] J. W. Kolar, H. Ertl, and F. C. Zach, "Influence of the modulation method on the conduction and switching losses of a PWM converter system," IEEE Trans. Ind. Applicat., vol. 27, no. 6, pp. 1064–1075, 1991.

[12] V. Blasko, "A hybrid PWM strategy combining modified space vector and triangle comparison methods," IEEE PESC Conf. Rec., pp. 1872–1878, 1996.

[13] R. J. Kerkman, B. J. Seibel, D. M. Brod, T. M. Rowan, and D. Leggate, "A simplified inverter model for on-line control and simulation," IEEE Trans. Ind. Applicat., vol. 27, no. 3, pp. 567–573, 1991.



[14] R. J. Kerkman, T. M. Rowan, D. Leggate, and B. J. Seibel, "Control of PWM voltage inverters in the pulse dropping region," IEEE Trans. Power Electron., vol. 10, no. 5, pp. 559–565, 1995.

[15] R. J. Kerkman, D. Leggate, B. J. Seibel, and T. M. Rowan, "Operation of PWM voltage source-inverters in the over modulation region," IEEE Trans. Ind. Electron., vol. 43, no. 1, pp. 132–141, 1996.

[16] J. Holtz, W. Lotzkat, and A. M. Khambadkone, "On Continuous control of PWM inverters in the over modulation range including the six-step mode," IEEE Trans. Power Electron., vol. 8, no. 4, pp. 546–553, 1993.

[17] S. Bolognani and M. Zigliotto, "Novel digital continuous control of SVM inverters in the over modulation range," IEEE Trans. Ind. Applicat., vol. 33, no. 2, pp. 525–530, 1997.

AUTHORS BIOGRAPHY

	<p>G. Pandian received the B.E degree in Electrical & Electronics Engineering from College of Engineering Anna University Chennai India in 1994 and MS degree in Electronics & Control from Birla Institute of Technology and Science Pilani India in 1998. He is currently pursuing Ph.D degree in Bharath University Chennai India and his research area is intelligent control of induction motor drives. He was working in Electrical Engineering Dept. Dunlop India Ltd Chennai India. He is fellow of Institution of Electronics and Telecommunication Engineers India, Member of Institution of Engineers (India), Member of Institution of Engineering and Technology London, Senior Member of IEEE. He is the registered Chartered Engineer from Engineering Council, London and Chartered Electrical Engineer from Institution of Engineering and Technology, London.</p>
	<p>Dr. S. Rama Reddy received the M.E degree from College of Engineering Anna University Chennai India in 1987. He received the Ph.D degree in the area of Resonance Converters from College of Engineering Anna University Chennai India in 1995. Presently he is working as Professor in Electrical & Electronics Dept. Jerusalem College of Engineering Chennai. He was working in Tata Consulting Engineers and Faculty of Electrical Engineering Dept. College of Engineering Anna University Chennai India. He is fellow of Institution of Electronics and Telecommunication Engineers India, Life Member of Institution of Engineers (India), Member of ISTE, Member of CSI and Member of SPE, India. He has authored textbooks on Power Electronics, Electronic Circuits and Electromagnetic Field. He has published 50 research papers in reputed journals. His research areas are Power Electronics Converters, Machine Drives and FACTS.</p>