

Design of Various Component of Ice Maker System

A.V.Kanade¹, A.V.Kulkarni²Student ME(Heat Power), Department of Mechanical Engg, S.Y.C.E.T. Aurangabad, Maharashtra, India¹Associate Professor, Department of Mechanical Engg, S.Y.C.E.T. Aurangabad, Maharashtra, India²

ABSTRACT: The major attraction of solid adsorption refrigeration technology for cold production is that it can be powered entirely or partly by low grade energy such as waste heat and solar energy. Thus, adsorption refrigeration is considered alternative to the conventional vapour compression refrigerator, especially in remote areas of the world without grid connected electricity. These research paper are classified into four main groups: adsorption system development, adsorbent bed innovation, adsorbent/adsorbate material development and application of adsorption cooling system. In this system activated carbon developed from coconut shell has excellent gas adsorption properties, and heat of adsorption of carbon dioxide is higher than many so called permanent gases such as nitrogen, oxygen etc. In these system replacement of compressor by adsorption bed with utilization of Activated carbon/Methanol adsorbent pair. The aim of this paper is not only cutting down the energy cost but also preserving our environment. In these system dose not use CFCs so that our Ozone layer is safe. Adsorption refrigeration based on condensation and evaporation with adsorption reaction.

KEYWORDS: Adsorption refrigeration, adsorbent, adsorbate, Adsorption air-conditioner, Adsorption cooling ,Desorption, Solar energy.

I. INTRODUCTION

The consumption of low grade energy by the units does not pose any problems of emission of greenhouse gases (hydrofluorocarbon, carbon dioxide, nitrous oxide, methane, perfluorocarbon and sulphur hexafluoride). Furthermore, solar powered refrigeration based on adsorption cycle is simple, quiet in operation and adaptable to small, medium or large systems. Thus, adsorption refrigeration is considered alternative to the conventional vapour compression refrigerator, especially in remote areas of the world without grid connected electricity[3]. Activated carbon /methanol, activated carbon/ammonia, zeolite/water and silica gel/water are the adsorbent /adsorbate pairs commonly used in practically realized adsorption refrigeration cycles.

Pressure Swing Adsorption (PSA) simply defines a cyclical process where the pressure is alternatively raised and lowered thereby forcing an adsorbent to adsorb a particular adsorbate at its porous surface during pressurization and to release the adsorbate during de-pressurization. The adsorption process is exothermic which becomes endothermic during desorption. In a PSA system, the adsorbent is regenerated by reducing the gas pressure[4]. The adsorption/desorption cycle is perfectly reversible and can be repeated for years without causing any degradation in the adsorbent. The adsorption/desorption cycle is perfectly reversible and can be repeated for years without causing any degradation in the adsorbent. The PSA system has already revolutionized the gas separation industries over the last decade, and also finding increasing use in refrigeration industries as adiabatic de-sorption for a gas can, which produces a low enough cold temperature for replacement of CFCs from any refrigeration systems[16].

International Journal of Innovative Research in Science, Engineering and Technology

(An ISO 3297: 2007 Certified Organization)

Vol. 4, Issue 6, June 2015

1.1 Adsorption

In simple words an “Adsorption is the process that occurs when a gas or liquid accumulates on the surface of solid”. The gas or liquid which is been accumulated is known as adsorbate. The solid substance on which adsorbate accumulates is known as adsorbent. Adsorption is the accumulation of atoms or molecules on the surface of a material. This process creates a film of the adsorbate (the molecules or atoms being accumulated) on the adsorbent's surface. It is different from absorption, in which a substance diffuses into a liquid or solid to form a solution. The term sorption encompasses both processes, while desorption is the reverse process. Adsorption constitutes a solid sorption process by which the binding forces between fluid molecules (adsorbate) and the solid medium (adsorbent) derive from an electrostatic origin or from dispersion-repulsion forces. It is an exothermic and reversible process as a result of the gas-liquid phase change without modification of the solid itself[2]. The liberated energy during the adsorption is called isosteric heat of adsorption and its intensity depends on the nature of the adsorbent/ adsorbate pair, the adsorbed mass and the latent heat

The principle of the solid-adsorption ice maker is explained using a Clapeyron diagram (in P versus $-1/T$). Fig.1 shows the idealized process undergone by adsorptive pair in achieving the refrigeration effect (producing ice). The cycle begins at a point A where the adsorbent is at a low temperature T_A and at low pressure P_e (evaporator pressure). During the daylight, AB represents the heating of adsorptive pair. The progressive heating of the adsorbent from B to D causes some adsorbate to be desorbed and its vapour to be condensed at the condenser pressure P_c . When the adsorbent reaches its maximum temperature T_D , desorption ceases[1].

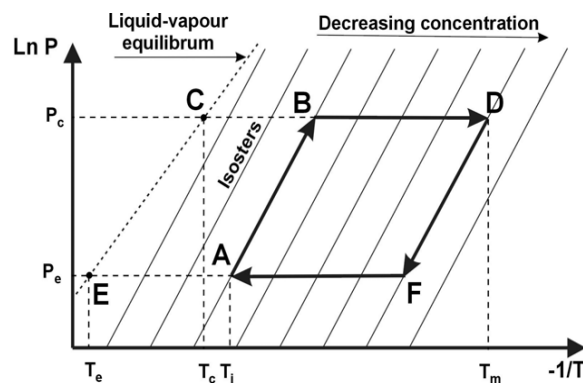


Fig. 1 An ideal adsorption cooling cycle in the Clapeyron diagram

Then the liquid refrigerant is transferred into the evaporator. During night, the decrease in temperature from D to F induces the decrease in pressure from P_c to P_e . Then the adsorption and evaporation occur while the adsorbent is cooled from F to A. During this cooling period heat is withdrawn both to decrease the temperature of the adsorbent and to withdraw adsorption heat.

International Journal of Innovative Research in Science, Engineering and Technology

(An ISO 3297: 2007 Certified Organization)

Vol. 4, Issue 6, June 2015

Analysis Of Adsorption Refrigeration Cycle

From the Clapeyron diagram, the total energy gained by the system during the heating period QT will be the sum of the energy QAB used to raise the temperature of the A.C+ methanol from point A to B and the energy QBD used for progressive heating of the A.C to point D and desorption of methanol[6].

$$Q_T = Q_{AB} + Q_{BD}$$

$$Q_{AB} = (M_A:C C_{pA:C} + C_{pm} M_{mA}) (T_B - T_A)$$

$$Q_{BD} = [M_A:C C_{pA:C} + C_{pm} \{ (M_{mA} + M_{mD})/2 \}] (T_D - T_B) + (M_{mA} - M_{mD})H$$

The gross heat released during the cooling period Qe1 will be the energy of vaporization of methanol.

$$Q_{e1} = (M_{mA} - M_{mD})L$$

But the net energy actually used to produce ice Qe will be $Q_e = Q_{e1} + Q_{e2}$

where Qe2 is the energy necessary for cooling the liquid adsorbate from the temperature at which it is condensed to the temperature at which it evaporates.

$$Q_{e2} = (M_{mA} - M_{mD}) C_{pm} (T_c - T_e)$$

Qice1 is the energy required to cool water from TA to 0 °C and to produce ice

$$Q_{ice1} = M^* (L^* + C_{pwater}(T_A - 0))$$

where M* and L* are the mass and latent heat of fusion of ice and net cooling produced will be

$$Q_{ice} = M^* L^*$$

Nomenclature

Cp	specific heat, kJ/kgK
H	heat of desorption, kJ/kg
L	latent heat of evaporation of the methanol, kJ/kg
M	mass, kg
Q	energy, kJ
T	temperature, °C

Subscripts

c	condenser
e	evaporator
m	methanol
st	steel pieces
T	total

SOLAR POWERED ADSORPTION ICE-MAKER SYSTEM

Adsorption refrigeration system uses solid adsorbent beds to adsorb and desorb a refrigerant to obtain cooling effect. These solid adsorbent beds adsorb and desorb a refrigerant vapour in response to changes in the temperature of the adsorbent. Here adsorbent is an Activated carbon and the refrigerant used is methanol. The basic adsorption refrigeration system, commonly referred to as the adsorption heat pump loop, or an adsorption refrigeration circuit, it consists of four main components: a solid adsorbent bed, a condenser, and an evaporator ice-box. The solid adsorbent bed desorbs refrigerant when heated and adsorb refrigerant vapour when cooled. In this manner, the bed can be used as a thermal compressor to drive the refrigerant around the system to heat or cool a heat transfer fluid or to provide space heating or cooling. Thus in this system bed(of activated carbon) acts as compressor so as to drive refrigerant(methanol) similar to compressor .The refrigerant is desorbed from the bed as it is heated to drive the refrigerant out of the bed and the refrigerant vapor is conveyed to a condenser. In the condenser, the refrigerant vapor is cooled and condensed to liquid. The low pressure condensate passes to an evaporator where the low pressure condensate is heat exchanged with the process stream or space to be conditioned to vaporize the condensate[8]. When further heating no longer produces desorbed refrigerant from the adsorbent bed, the bed is isolated and allowed to return to the adsorption conditions.

International Journal of Innovative Research in Science, Engineering and Technology

(An ISO 3297: 2007 Certified Organization)

Vol. 4, Issue 6, June 2015

When the adsorption conditions are established in the bed, the refrigerant vapor from the evaporator is reintroduced to the bed to complete the cycle. For the circulation of methanol in the system the whole system should be vacuumised.

II. RELATED WORK

PRINCIPLE OF SOLAR POWERED ADSORPTION ICE MAKER

Fig.2 shows schematic layout of a no valve solar flat plate ice maker. The solar ice maker consists of an adsorbent bed (2), a condenser (5), an evaporator (7), water tank (8), insulation box (9) as well as connecting pipes. For this system, there are no any reservoirs, connecting valves and throttling valve, the structure of the system is very simple. The working principle of this no valve solar ice maker is described as follows

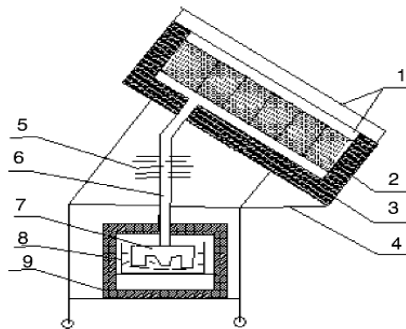


Fig. 2 The sketch structure of the no valve solar ice maker: (1) cover plate, (2) adsorbent bed, (3) insulation materials, (4) frame, (5) condenser, (6) connecting pipe, (7) evaporator, (8) water tank, (9) insulation box

On a sunny day, the adsorbent bed absorbs solar radiation energy, which raises the temperature of adsorbent bed as well as the pressure of methanol in adsorbent bed. When the temperature of adsorbent reaches the desorption temperature, the refrigerant begins to evaporate and desorb from the bed. The desorbed refrigerant vapor will be condensed into liquid via the condenser and flows into the evaporator directly; this desorption process lasts until the temperature of adsorbent reaches the maximum desorption temperature[4]. During night, when the temperature of the adsorbent bed reduces, the refrigerant vapor from the evaporator gets adsorbent back in the bed. During this adsorption process, the cooling effect is released from refrigerant evaporation, and the ice is formed in the water tank placed inside thermal insulated water box. Likely in a vapour compression system the adsorption refrigeration system also consists of a compressor, a condenser, and an evaporator but no throttle valve is used. However, in this system the compressor is replaced by a thermal compressor which is operated by heat instead of a mechanical energy. The vaporized refrigerant is adsorbed in the pores of the adsorbent in the reaction chamber i.e. adsorbent bed. Thus the operation of the adsorption cooling system depends on adsorption/desorption characteristics of the particular adsorbent/refrigerant pair. Due to the loading of the adsorbent, the thermal compressor is operated intermittently.

ADSORPTION ICE MAKING CYCLE

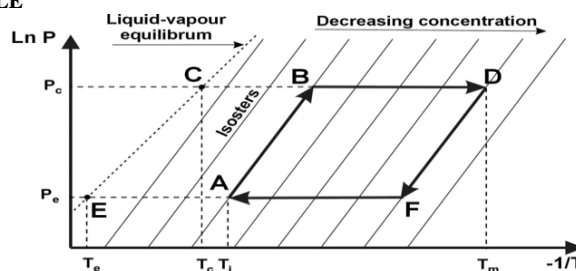


Fig. 3 An ideal adsorption cooling cycle in the clapeyron diagram.

International Journal of Innovative Research in Science, Engineering and Technology

(An ISO 3297: 2007 Certified Organization)

Vol. 4, Issue 6, June 2015

Heating period: step AB (7 a.m.→10 a.m.) and step BD (10 a.m.→4 p.m.); cooling period: step DF (4p.m.→7 p.m.) and step FA (7 p.m.-7a.m)

The cycle is explained in detail in (Buchter F., 2001), We can summarize it in four stages[8]:

Step 1: Isostatic heating (A→B):

The system temperature and pressure increase due to solar irradiance.

Step 2: Desorption + condensation (B→D):

Desorption of the methanol vapours contained in the activated carbon bed; condensation of the methanol steam in the condenser.

Step 3: Isostatic cooling (D→F):

Decrease of the period of sunshine; cooling of the activated carbon; decrease of the pressure and the temperature in the system.

Step 4: Adsorption + evaporation (F→A):

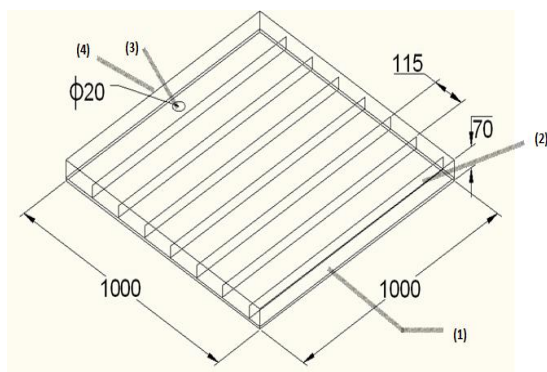
Evaporation of methanol contained in the evaporator; cooling of the cold cabinet; production of ice in the evaporator; re-adsorption of methanol steam by the activated carbon.

III. COMPONENTS OF ADSORPTION REFRIGERATION SYSTEM

A. DESIGN OF ADSORBENT BED

The adsorbent bed is made of flat plate stainless steel box, having surface area 1 m², also 19 kg adsorbent (activated carbon produced from coconut shell) is charged and sealed inside the steel plate box, then selective coating is covered on top surface of the steel plate box. For the flow of methanol from the bed a hole is made at lower side of bed and coupling is made so as to connect copper tube of condenser to the bed. The schematic diagram of the adsorbent bed is shown in fig. and role of adsorbent bed is as follows: As solar radiations are incident on the fibre glass which is situated above bed, activated carbon will try to absorb heat as much as it can and it gets heated thus temperature in the bed rises up to 90 °C to 100 °C.

The designing starts with the making of stainless steel box of dimensions 1000mm*1000mm*70mm. this can be achieved by bending of stainless steel sheet of dimension 1090mm*1090mm and thickness of sheet is 1mm. then it is bent at 90°, leaving 90mm of sheet from all sides, for this cuts are made so as to form a box as shown in fig.4 below



(a) Wire frame model of adsorbent bed



(b) Actual photo of adsorbent bed

Fig. 4 Adsorbent bed

B. DESIGN OF CONDENSER

Condenser we have used is readymade condenser and specifications of the same are as below:

International Journal of Innovative Research in Science, Engineering and Technology

(An ISO 3297: 2007 Certified Organization)

Vol. 4, Issue 6, June 2015

Manufacturer	: Galaxy Enterprises
Dimensions of condenser	: 355.6 mm*368.3mm*129 mm
Tube material	: copper material
Tube diameter(in / out)	: 15.87 mm
Tube diameter(condenser)	: 9.525 mm
Total length of one tube	: 5337.048mm
Number of tubes used	: 4
Fin material	: Aluminum
Total number of fins	: 165



Fig. 5 Actual photo of Condenser

C. DESIGN OF EVAPORATOR

The dimension of the evaporator is 300 mm * 300 mm * 100 mm. Evaporator is made up of stainless steel. The evaporator is partly immersed in a water tank, which is made of stainless steel, and both the evaporator and water tank are placed in a box covered with insulation. Role of evaporator is as follows: liquefied cooled methanol from condenser goes to evaporator and here it gives a refrigerating effect to the water in the container as the evaporator is partially dipped in the water container. In this way, it is very simple to remove the ice formed during adsorption cooling at night. The lower portion of the evaporator is made up of a trapezoidal shape and dimensions are 0.03m * 0.04m. This increases the surface area and ensures better heat transfer.

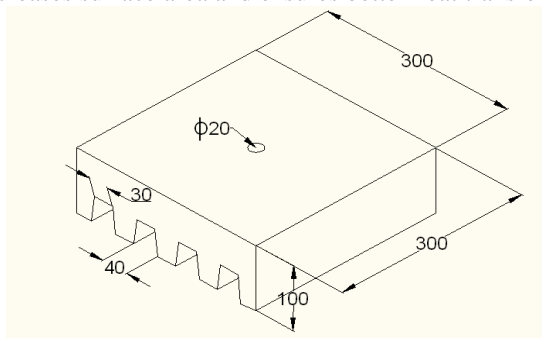


Fig. 6 Wire frame model of evaporator



Fig. 7 Actual trapezoidal portion of evaporator

International Journal of Innovative Research in Science, Engineering and Technology

(An ISO 3297: 2007 Certified Organization)

Vol. 4, Issue 6, June 2015



Fig. 8 Actual photo of evaporator

D. DESIGN OF ICE-BOX

The diagram shown is the ice-box along with water container and an evaporator. Where,

- 1) Stainless steel tube of evaporator
- 2) Ice-box of wood
- 3) Water in container
- 4) Evaporator
- 5) Water container

Ice box of system is made so as to insulate the water container. It is made up of wood. Dimension of ice-box made is 406mm*355mm*508m, it is situated in lower-most position. It is provided with handle and hinges on one side just as door of a box, so as to open the box and remove the container from the box when ice is formed. It is provided with hole on upper side of box from where copper tube of evaporator passes. Actual ice box of icemaker is as shown in figure below.

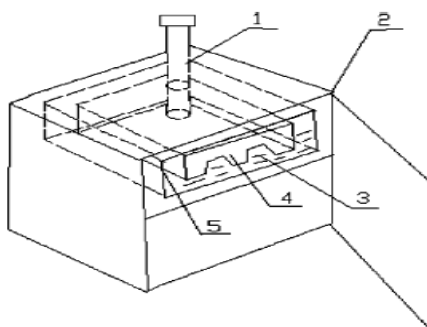


Fig. 9 Icebox with evaporator and water container

EXPERIMENTAL SET UP

Steps while integrating the system components

Adsorbent bed is filled with activated carbon(which is heated first in furnace) and making sure that the granules of carbon does not pass through sieve of stainless steel net and then covered by acrylic sheet by means of bolting it to the bed.

Adsorbent bed is then insulated with Teflon, and cello tape. Distance between bed and acrylic sheet is then blocked by means of sealant and rubber of tyre so as to make the bed leak proof. Because of the sealing and insulation of adsorbent bed it is impossible for vaporized methanol to leak to atmosphere Skeleton for the system is made by means of angles and nuts and bolts, it is as shown below. After the skeleton is made, adsorbent bed is then kept on it.

International Journal of Innovative Research in Science, Engineering and Technology

(An ISO 3297: 2007 Certified Organization)

Vol. 4, Issue 6, June 2015

- Now condenser is kept on middle angles and tube of condenser is then connected to the coupling of bed as explained in DESIGN OF BED. To ensure proper fixing of copper tube of condenser to the coupling, Teflon is used. Condenser is then fixed to angles by means of nuts and bolts by drilling holes on angles at specific location.
- For the flow of liquid methanol from condenser to the evaporator extra copper pipe is used which is of same diameter as that of condenser. This pipe is then bent by bending machine at specific locations so as to ensure the connection of this pipe with the evaporator tube. (Proper care is taken while bending so that the tube will not get pinched.) This tube is insulated with hetlon so that the cooled methanol should not gain heat from surrounding.
- Evaporator is filled with methanol (proper care is taken while filling methanol as it is harmful for eyes. filling of methanol is as shown below) and the tube of evaporator is then closed by cello tape until it is connected to the pipe, as methanol sublimates at atmospheric temp. Evaporation of methanol occurs at 66 °C-70 °C and 25 °C.
- Ice-box made up of wood is then kept on lower angles. And evaporator is then inserted in the box now the closing (cello tape) is removed and the pipe of evaporator is then fixed to the bent copper tube and it is sealed by means of hetlon. Water container is inserted. And rubber pads are pasted onto the container on which evaporator rests (the pads are so pasted that the evaporator is partly immersed into water) so that the weight of the system is transferred to the floor through ice-box. The system is then kept where solar energy is available completely.



Fig. 10 Actual system of ice-maker

OBSERVATIONS

T_{bdes} = Temperature before desorption

This temperature is taken before desorption process starts i.e. during morning session measured at adsorbent bed.

T_{ades} = Temperature after desorption

This temperature is taken after desorption completes i.e at the end of day during evening session at adsorbent bed.

T_a = Temperature at point A

This temperature is taken before afternoon session at the start of isosteric heating at adsorbent bed.

International Journal of Innovative Research in Science, Engineering and Technology

(An ISO 3297: 2007 Certified Organization)

Vol. 4, Issue 6, June 2015

Tb = Temperature at point B

This temperature is taken at afternoon time of the day and at the end of isosteric heating and start of desorption process at adsorbent bed.

Td = Temperature at point D

This temperature is taken during evening session after desorption completes at adsorbent bed.

Tcc = Temperature of condensate

This is temperature of condensate measured by measuring water/ice temperature at ice box during early morning session.

Tee = Temperature of evaporate

This is temperature of evaporate measured by measuring water/ice temperature at ice box during early morning session.

IV. OBSERVATION TABLE

Dates Temperatures(K)	1st	2nd	3rd	4th	5th	6 th
	18/04/15	20/04/15	30/04/15	02/05/15	04/05/15	08/05/15
Tbdes	30+273	29+273	31+273	30+273	30+273	31+273
Tades	50+273	50+273	48+273	49+273	51+273	51+273
Ta	30+273	29+273	31+273	30+273	30+273	31+273
Tb	38+273	37+273	39+273	38+273	39+273	40+273
Td	50+273	50+273	48+273	49+273	51+273	51+273
Tcc	15+273	16+273	15+273	15+273	18+273	19+273
Tee	14+273	15+273	14+273	14+273	17+273	17+273

Table 1 Various Temp. of the solid adsorption solar powered ice-maker

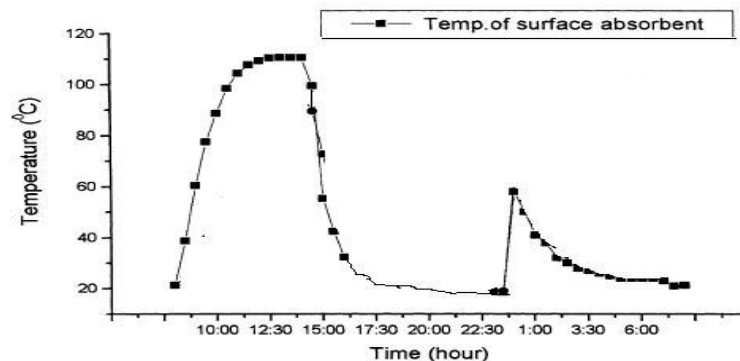
VARIATION OF TEMPERATURE OF ADSORBENT BED WITH TIME

The graph shown below is expected behavior of adsorbent bed. It is variation of temperature in the adsorbent bed because of incident solar radiations.

International Journal of Innovative Research in Science, Engineering and Technology

(An ISO 3297: 2007 Certified Organization)

Vol. 4, Issue 6, June 2015



Graph 1 Variation of temperature of adsorbent bed with time

Temperature in bed is directly proportional to the incident solar radiation. Effective solar radiations are available during period of 10 am to 3pm thus the temperature in bed during this period reaches to 100 °C to 120 °C. After 3 pm the temperature in bed gets lower and lower. Till 5.30 pm the temperature lowers to 20 degree c and desorption continues till that time. After this, temperature remains almost constant till 10.30 pm, now the adsorption of methanol starts. As adsorbent bed adsorbs vapours of methanol thus the temperature of adsorbent bed increases up to 60 °C, approximately at midnight temperature is about 60 °C – 70 °C. after this the temperature again starts decreasing and exothermic reaction carry on. And now the bed will attain temperature of surrounding i.e. 25 °C. The graph shows that during desorption process the temperature of water is 20 °C, it remains constant till the desorption process ends. Desorption process has duration of about 7-8 hours. It ends approximately at 7 pm. As the desorption ceases the adsorption process will start. After a particular timing the temperature of water decreases rapidly, that timing is critical timing of approximately about 11.30p.m. During this process methanol absorbs heat of water and thus methanol will evaporate and evaporated methanol will be adsorbed by AC. Thus ice is formed. And temperature of this ice will be -5 °C at about 3.30 am. After 3.30 am temperature of water increases slightly to 0 °C. It remains constant till approximately 7am. Now the ice produced can be removed from the box.

CALCULATIONS MADE FROM OBSERVATION

By Clapeyron theory the mass of methanol at point A and D is

Let, $M_m = 1.3575$ KG, mass of total methanol in system.

$M_{ma} = M_m \cdot (75/100)$, mass of methanol at point A

$$= 1.3575 \cdot 0.75$$

$$= 1.018125 \text{ KG}$$

$M_{md} = M_m \cdot (25/100)$, mass of methanol at point D

$$= 1.3575 \cdot 0.25$$

$$= 0.339375 \text{ KG}$$

$M_{ac} = 19$

$CP_{ac} = 0.9300$

$CP_m = 2.6060$

Heat of desorption, H in KJ/KG

$$H = (CP_m \cdot (T_{ades} - T_{bdes}))$$

[1]

Total solar energy input to system during day (KJ/Kg K)

International Journal of Innovative Research in Science, Engineering and Technology

(An ISO 3297: 2007 Certified Organization)

Vol. 4, Issue 6, June 2015

$$Q_i = 16.28$$

[2]

Energy used Q_{ab} to rise the temperature of a.c.+ methanol from point A to B

$$Q_{ab} = ((M_{ac} * C_{pac}) + (C_{pm} * M_m)) * (T_b - T_a)$$

[3]

Energy Q_{bd} used for progressive heating of the a.c to point D (KJ)

$$Q_{bd} = (((M_{ac} * C_{pac}) + (C_{pm} * ((M_{ma} + M_{md}) / 2))) * (T_d - T_b)) + ((M_{ma} - M_{md}) * H)$$

[4]

Total energy gained by solar energy during heating period Q_t (KJ)

$$Q_t = Q_{ab} + Q_{bd}$$

[5]

Q_{e1} Energy of vaporization of methanol (KJ)

$$Q_{e1} = (M_{ma} - M_{md}) * L$$

[6]

Q_{e2} Energy necessary for cooling the liquid adsorbate (KJ)

$$Q_{e2} = (M_{ma} - M_{md}) * C_{pm} * (T_{cc} - T_{ee})$$

[7]

Net energy actually used to produce ice Q_e (KJ)

$$Q_e = Q_{e1} + Q_{e2}$$

[8]

Q_{ice1} Energy required to cool water from T_a to 15 oC and to produce ice (KJ)

$$Q_{ice1} = M_{ice} * (L_{ice} + (C_{pwater} * (T_a - 288)))$$

[9]

Net cooling produced Q_{ice}

$$Q_{ice} = M_{ice} * L_{ice}$$

[10]

The collector/adsorbent bed efficiency (%)

$$n_1 = (Q_t / Q_i)$$

[11]

The evaporator efficiency (%)

$$n_2 = (Q_{ice1} / Q_e)$$

[12]

The cycle COP (%)

$$COP_{cycle} = Q_{e1} / Q_t$$

[13]

The net solar COP(%)

$$COP_{solar} = Q_{ice} / Q_i$$

[14]

International Journal of Innovative Research in Science, Engineering and Technology

(An ISO 3297: 2007 Certified Organization)

Vol. 4, Issue 6, June 2015

V. EXPERIMENTAL RESULTS

Table 2 Result table for analysis of the solid adsorption solar powered ice-maker

Dates Analyzed Parameters (Energy, KJ)	1st 18/04/15	2nd 20/04/15	3rd 30/04/15	4th 02/05/15	5th 04/05/15	6th 08/05/15
Qi	16280	16280	16280	16280	16280	16280
Qab	169.6612	169.6612	169.6612	169.6612	190.8688	190.8688
Qbd	268.6423	289.95	205.0194	247.4347	270.4111	249.2035
Qt	438.3035	459.5111	374.6805	417,0958	461.2799	440.0723
Qe1	785.9246	785.9246	785.9246	785.9246	785.9246	785.9246
Qe2	1.7688	1.7688	1.7688	1.7688	1.7688	3.5376
Qe	784.1558	784.1558	784.1558	784.1558	784.1558	782.3870
Qice1	628.5250	607.59	649.46	628.5250	628.5250	649.46
Qice	314.5000	314.5000	314.5000	314.5000	314.5000	314.5000

Table 3 Efficiency and COP For solar powered ice-maker

Dates Analyzed Parameters (Energy, KJ)	1st 18/04/15	2nd 20/04/15	3rd 30/04/15	4th 02/05/15	5th 04/05/15	6th 08/05/15
η_1	0.0269	0.0282	0.0230	0.0256	0.0283	0.0270
η_2	0.8015	0.7748	0.8282	0.8015	0.8015	0.8301
COP _{cycle}	1.7931	1.7103	2.0976	1.8843	1.7038	1.7859
COP _{solar}	0.0193	0.0193	0.0193	0.0193	0.0193	0.0193

VI. CONCLUSIONS

It is possible to consider that adsorption systems can be alternative to reduce the CO₂ emissions and electricity demand when they driven by waste heat or solar energy. Although, for a broader utilization the researches should continue aiming for improvements in heat transfer, reductions of manufacturing costs and for the formulation of new adsorbent compounds with enhanced adsorption capacity and improved heat and mass transfer properties. Because adsorption systems are generally poor thermal machines. The performance of adsorption systems depend strongly on the adsorption and condensation temperatures.

The following conclusions may be drawn from the forgoing solar powered solid adsorption ice-maker studies :

- A solar powered solid adsorption icemaker using an activated carbon/methanol adsorbent pair has been successfully designed, constructed and tested.
- The condenser and evaporator must necessarily be close to each other and to the collector since the system operates at low pressure, thus they are located directly under the collector such that the refrigerant flows into them by gravity.

International Journal of Innovative Research in Science, Engineering and Technology

(An ISO 3297: 2007 Certified Organization)

Vol. 4, Issue 6, June 2015

- The adsorption bed (generator) is the heart of the system and it has the greatest effect on the performance of the system. A good design of the generator leads to smooth operation and better results, so more attention must be given to the design influence on the performance of the system.
- The ice produced can be used for various purposes such as in hospitals or for domestic use.
- The adsorption /desorption tests for activated carbon/methanol pair showed that there must be sufficient time to get the highest desorption of methanol, and the optimum time for that was found to be 5-10 hours.
- The generation temperature must be over 100 °C in order to generate higher volume of methanol from activated carbon. COP of the system is 0.12, which is comparatively low but as the system works on solar energy it is eco-friendly system.

REFERENCES

- [1]. R.Z. Wang, Y.X. Xu, J.Y. Wu and W. Wang; Experiments on heat regenerative adsorption refrigerator and heat pump; International journal of energy research 22, 935-941 (1998).
- [2]. R. Z. Wang; Adsorption Refrigeration Research in Shanghai Jiao Tong University; Renewable and Sustainable Energy Reviews 5, 1-37 (2001).
- [3]. A.O. Dieng and R.Z. Wang; Literature review on solar adsorption technologies for ice making and air conditioning purposes and recent developments in solar technology; Renewable and sustainable energy reviews 5, 313-342 (2001).
- [4]. M. Li, R.Z. Wang; A study of the effects of collector and environment parameters on the performance of a solar powered solid adsorption refrigerator; Renewable Energy 27, 369-382 (2002).
- [5]. M. Li, R.Z. Wang; Heat and mass transfer in a flat plate solar solid adsorption; Renewable Energy 28, 613-622 (2003).
- [6]. L.W. Wang, R.Z. Wang, J.Y. Wu and K. Wang; Compound adsorbent for adsorption ice maker on fishing boats; International journal of refrigeration 27, 401-408 (2004).
- [7]. Zhaohui Qi; Study on hybrid system of solar powered water heater and adsorption ice maker; International journal of architectural science, Volume 6, No. 4, 168-172, 2005.
- [8]. Activated Carbon and Related Technology; Cameron Carbon Incorporated 2006.
- [9]. Li Yong and Ruzhu Z. Wang; Adsorption Refrigeration: A Survey of Novel Technologies; Recent Patents on Engineering 2007, 1, 1-21.
- [10]. G. Halder and S. C. Sarkar; The cooling effect by an adsorption- desorption refrigeration cycle; Journal of Energy in Southern Africa, Vol 18 No 2, May 2007.
- [11]. W. Chekirou, N. Boukheit and T. Kerbache; Numerical modeling of combined heat and mass transfer in a tubular adsorber of a solid adsorption solar refrigerator; Revue des Energies Renouvelables VOL. 10 N° 3 (2007) 367-379.
- [12]. Kai Wang and Edward A. Vineyard; New opportunities for Solar Adsorption Refrigeration; a article in ASHRAE Journal, September 2011.
- [13]. Peerapong Thumautok, Wipawadee Wongsuwan and Tanongkiat Kiatsiriroat; Performance analysis of a solar adsorption heating and cooling systems; Chiang Mai University (CMU), Thailand, 50200.
- [14]. Piero M. Armenante; Adsorption; NJIT.
- [15]. E E Anyanwu, N V Ogueke; Thermodynamic design procedure for solid adsorption solar refrigerator, Int Journal of Renewable Energy, Elsevier, 30 (2005) pp 81-96
- [16]. M. Li and H.B. Huang; Experimental study on adsorbent of activated carbon with refrigerant of ethanol for solar ice maker; Renewable energy 29 (2004) 2235-2244

BIOGRAPHY



Mr. Avinash Vitthal Kanade
Student of ME(Heat Power)
SYCET, Aurangabad,
Maharashtra



ISSN(Online): 2319-8753
ISSN (Print): 2347-6710

International Journal of Innovative Research in Science, Engineering and Technology

(An ISO 3297: 2007 Certified Organization)

Vol. 4, Issue 6, June 2015



Prof. Mr .Atul V.Kulkarni
Associate Professor,
SYCET, Aurangabad,
Maharashtra