

International Journal of Innovative Research in Science, Engineering and Technology

(An ISO 3297: 2007 Certified Organization)

Vol. 4, Special Issue 6, May 2015

Monitoring and Controlling of Boiler Drum Parameters Using Lab View

K.Padma priya¹, P.Naveen Kumar²

PG Student, Embedded System Technologies, Knowledge Institute of Technology, Salem, India¹

Assistant Professor, Department of EEE, Knowledge Institute of Technology, Salem, India²

ABSTRACT: The boiler drum level control unit is one of the main parameter in the thermal power station. Currently the boiler drum parameters are monitored only by using MATLAB software. There is no automatic control available. In the proposed system the boiler drum parameters such as temperature level, pressure level, water level and Droplet identifier are measured and controlled by using embedded processor through LabVIEW. Droplet identifier is used to check the steam that comes from the boiler. Pure steam is required to run the turbine so droplet identifier checks whether the steam is wet or dry if it is wet steam then turbine blades gets damaged. So it identifies the wet or dry steam and converted to dry steam. In order to meet out the steam requirement, to safeguard the boiler water tubes and turbine blades, the boiler water drum level control plays an important role in thermal power station.

KEYWORDS: ARM8 processor, Temperature sensor, Pressure sensor, Water level Sensor, Lab VIEW

I. INTRODUCTION

At present, industries are increasingly shifting towards automation. The boiler drum level must be controlled to the limits specified by the boiler manufacturer. If the boiler drum level does not stay within these limits, there may be water carryover. If the level exceeds the limits, boiler water carryover into the super-heater or the turbine may cause damage resulting in extensive maintenance costs or outages of either the turbine or the boiler. If the level is low, overheating of the water wall tubes may cause tube ruptures and serious accidents, resulting in expensive repairs, downtime, and injury or death to personnel. A rupture or crack most commonly occurs where the tubes connect to the drum. In the existing system the boiler parameters are monitored by using MATLAB and it can be controlled by manual only.

In the proposed system ARM 8 processor is used that controls all sub devices connected across it. For monitoring and controlling the boiler parameters such as temperature level, pressure level, water level and droplet identifier is measured by using temperature sensor, water level sensor, pressure sensor and rain sensor.

II. LITERATURE SURVEY

T. Raj Kumar^[1] *et al* describes Boiler drum level control by using wide open control with three element control system. If the drum level goes below the desired lower drum level, there will be a every possibility of starvation of water tubes inside the furnace is expected and the boiler may get damaged and if the water level in the drum raises above the desired upper drum level, there will be a carryover of water particles in the dry steam flowing to the turbine and thus the turbine blade damage is expected. In order to meet out the steam requirement, to safeguard the boiler water tubes and to safe guard the turbine blades the boiler drum water level control plays an important role in thermal power station. It is implemented in advanced adaptive PID controller field control processor.

AnishMathew^[3] *et al* describes Internal Model Control of pressure process using ARM Microcontroller the conventional PID control and the tuning of controller parameters is a time consuming process and also depends upon an

International Journal of Innovative Research in Science, Engineering and Technology

(An ISO 3297: 2007 Certified Organization)

Vol. 4, Special Issue 6, May 2015

extensive specific process characteristics .So the PID and IMC algorithm is embedded into the target ARM microcontroller and its performance is studied with real time experimental setup.

SauravKumar^[4]*et al* describes Multi Parameter Monitoring & Controlling for a Boiler using PIC Controller along with mechanical strength efficiency, availability, round the clock are also important aspects for any boiler. High pressure boilers which are provided with optimized heat transfer areas for its rated duty requires some of the important parameters like pressure, drum level, water flow can be monitored and controlled by PIC controller.

Gowri Shankar^[5] describes Control of Boiler using PLC-SCADA in this boiler the input is passed into the boiler at required temperature, so as constantly maintain a particular temperature to the boiler. In order to automate a power plant and minimize human intervention, there is a need to develop a SCADA system to monitor the plant .PLC is also used for internal storage of instruction for the implementing functions .

Roopalagrawal^[6] describes Internet Based Boiler Drum Level Control System using Lab VIEW in this Internet based PID control system is introduced to regulate the drum level with the fixed PID parameters .the control is not ideal .so some other control is required to improve the performance of drum level control system. The 3 types of control of boiler is established using the internal model control method. It is designed tool kit in LabVIEW. The internet based remote boiler drum level control system

III. EXISTING SYSTEM

In thermal power station, the boiler parameters such as water level, pressure, temperature is monitored using MATLAB tool. These parameters are controlled by manual only. In this conventional type of monitoring if there is a chance of fault it can come to knowledge only after the occurrence of fault. Immediate alert system is not available. The data are maintained only in log book so there is no possibility of effective data analysis for taking preventive action leading to production loss, workman hour. MATLAB is basically a scripted language and it is not applicable for the graphical representation. There is no automation system is available.

IV. PROPOSED SYSTEM

In order to overcome the existing problem the conventional proposed system is employed. In the proposed system of this project is to monitor and control of the boiler parameters by using the ARM8 processor. The ARM8 processor for embedded applications is automotive for industrial control. The embedded processor is used for real time monitoring of data. In this conventional type of monitoring if there is a chance of fault it can come to knowledge before the occurrence of fault. Immediate alert system is available in Data are maintained only in log book so there is no possibility of effective data analysis for taking preventive action leading to production loss, workman .For automatic monitoring of boiler drum parameters such as water flow, pressure, and temperature are measured and it is displayed in the LabVIEW. The temperature level is measured by using temperature sensor. The pressure level of the boiler is measured by using Pressure sensor. The Water level to the boiler is one of the main parameter; it can be measured by using water level sensor. Rain sensor is used for droplet identification in the boiler. All the output is given to the processor and if it reaches the threshold level it is automatically controlled by using the ARM 8 processor and the output is displayed in the Lab VIEW as graphical representation .In the existing system only the waveform are used .so this Lab VIEW help us to overcome this problem by giving graphical view.

International Journal of Innovative Research in Science, Engineering and Technology

(An ISO 3297: 2007 Certified Organization)

Vol. 4, Special Issue 6, May 2015

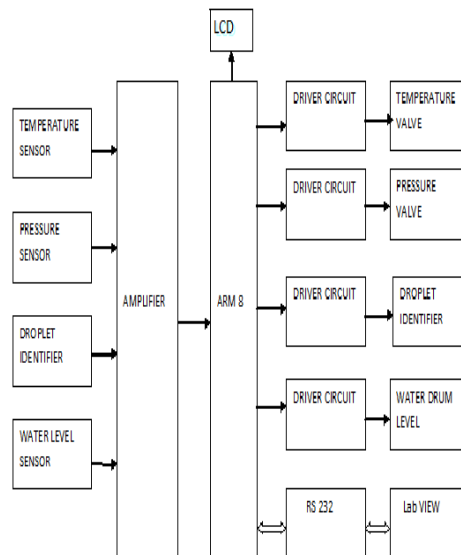


Figure 1. Block Diagram of Proposed System

The boiler is an enclosed vessel that provides a means for combustion of heat to be transferred into water. The drum level should be controlled to limits specified by the manufacturer. If the limit of level exceeds, water will be carried over to the super-heater or the turbine may cause damage resulting in the increase in the maintenance cost. The steam temperature has to be kept under control in order to avoid the excess usage of feed water in the boiler. Droplet Identifier is used to find out any drops in the steam outcome. If any drop is found out then turbine will be damaged. The boiler parameters such as pressure level, temperature level, water level are measured and this information is given to the ARM 8 Processor. The ARM 8 Processor monitors the real time values of the parameters and if the value reaches above the threshold value it automatically controls the values by using the driver circuit which is connected to the boiler. The boiler parameters are monitored and the values are displayed in Lab VIEW by using RS 232 Serial Communication. Lab VIEW provides the graphical representation.

4.1. ARM8

The ARM 8 Cortex processor, based on the ARMv7 architecture, has the ability to scale in speed from 600MHz to greater than 1GHz. The processor is particularly suited to high-performance applications. ARM8 processor is used to monitor and control of the parameters automatically. According to the input and output ports, the devices can be connected to the processor. By using the pin diagram the sensors can be connected and control the parameters. The port13 is connected to the temperature, pressure, water level sensor. Power supply is connected to the pin 50 and 51. The port60 is connected to the LCD. The parameters at normal and abnormal conditions can be displayed by using the LCD.

V. LABVIEW

The LabVIEW consists of the front panel and the block diagram. The graphical approach also allows non-programmers to build programs by dragging and dropping virtual representations of lab equipment with which they are already familiar. For complex algorithms or large-scale code, it is important that the programmer possesses an extensive knowledge of the special LabVIEW syntax and the topology of its memory management. In the block diagram all the four parameters can be represented. All the parameter variations like temperature, pressure, water level

International Journal of Innovative Research in Science, Engineering and Technology

(An ISO 3297: 2007 Certified Organization)

Vol. 4, Special Issue 6, May 2015

and can be done by using the comparator. We have to set the limit value for these parameters. If the parameters can be raised above to that particular limit value, it can be represented as high in the front panel. Otherwise, it can be mentioned as normal. The temperature is set as 1500° c .The values is continuously monitored and if the level reaches above the set value .It will alert and automatically controls the value .The water level is monitored .

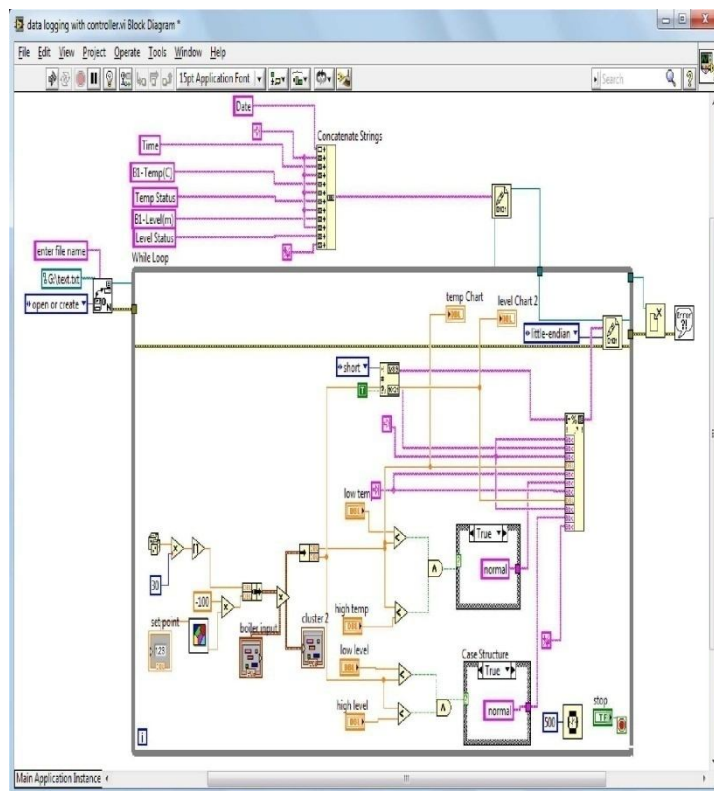


Figure 2. Proposed Block Diagram of LabVIEW

If the temperature can be raised to higher level, it can be displayed as temperature is high. Then automatically lowered to the preset value. These variations can be represented in the graphical of thermistor. If the temperature cannot be raised to higher level, it can be displayed as temperature is normal. All these conditions of the parameters can be graphically monitored and controlled by using LabVIEW.

VI. ALGORITHM

- Step 1: Start the process.
- Step 2: Initialize the system.
- Step 3: Representation of the temperature and according to the temperature it indicates the normal and abnormal conditions.
- Step 4: Representation of the pressure, water level and droplet identifier according to that the normal and abnormal conditions will be displayed.
- Step 5: Stop the process.

International Journal of Innovative Research in Science, Engineering and Technology

(An ISO 3297: 2007 Certified Organization)

Vol. 4, Special Issue 6, May 2015

6.1. Flow Chart

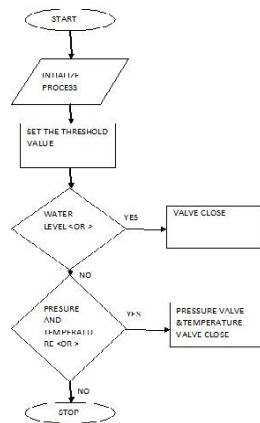


Figure 3. Flow Chart of Proposed System

VII. RESULTS

7.1. Hardware Results

By using ARM processor we can monitor and control the boiler parameters. In the ARM8 processor, the control panel consists of four options: temperature sensor, pressure sensor, water level sensor, and rain drop sensor. When selecting the option 1, it represents the temperature. If the temperature can be raised to a higher level, automatically it shows the value is abnormal. When selecting the option 2, it represents the pressure. If the pressure can be raised to a higher level, it automatically represents as an abnormal condition. When selecting the option 3, it represents the level of water in the boiler drum. If the water level decreases to a lower level, it automatically represents as an abnormal condition. It can also represent in LED. When normal condition means green light is indicated and when abnormal means red is indicated.

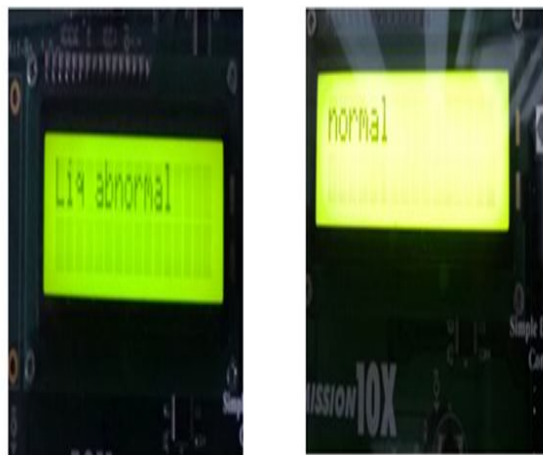


Figure 4. ARM8 Processor Output

International Journal of Innovative Research in Science, Engineering and Technology

(An ISO 3297: 2007 Certified Organization)

Vol. 4, Special Issue 6, May 2015

7.2. Software Results

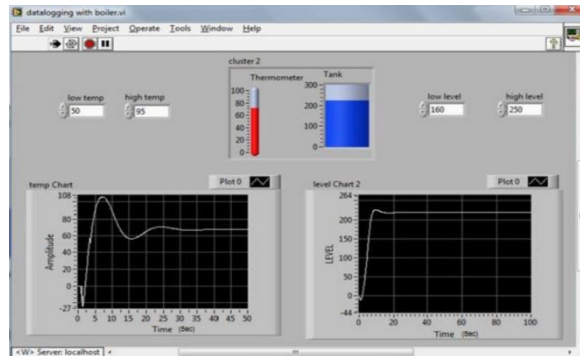


Figure 5.Result of front panel

Using the front panel various parameters are monitored .the temperature level, pressure, droplet identifier and water flow to the boiler are measured. If any problem occurs it will control the value and the normal level is maintained. The parameters values are compared by using comparator .If the pressure value is set as 150psi but the measured value is greater than that means then it will alert and the pressure value is controlled to the normal level. Through LabVIEW we can monitor the values graphically as well as waveform .There is no program coding for LabVIEW.

7.3. Results Comparison

By using LabVIEW all the parameters like temperature, pressure and water level can be monitored. These parameters are controlled automatically by using LabVIEW.All these parameter variations can be represented by using the graphical method. If the parameter can be raised to higher level, it can indicated by using the graphical method like temperature, pressure variations in the front panel.By using the ARM processor of eclipse software, the parameters normal and abnormal condition can be mentioned by using the LCD. If the parameters move to an abnormal condition, it can be displayed by using the GLCD. GLCD (Graphical Liquid Crystal Display) is used to represents the variations in the colour format.By using the eclipse software, it is also very easy to identify the variation of parameters by using the colour representation of GLCD.

VII. CONCLUSION

In this project the boiler drum parameters like temperature, pressure, water level and droplet identifier can be monitored and controlled automatically by using ARM8 processor. The parameter variations of normal and abnormal conditions are represented graphically represented by using LabVIEW. If the drum level goes below the desired lower level, there will be a possibility of starvation of water tubes inside the furnace and if the water level in the drum rises above the desired drum level, there will be a carryover of water particles in the dry steam flowing to the turbine .In order to meet out the steam requirement, to safeguard the boiler water tubes and turbine blades, the boiler water drum level control plays an important role in thermal power station. In future, droplet identifier parameters is enhanced The parameters of the boiler unit are temperature, pressure,water level can be monitored and controlled by using Effective communication medium. The values can be send to the users by sending an SMS.

REFERENCES

- [1] Rajkumar "Boiler drum level control by using wide open control with three element control system" International Monthly Refereed Journal of Research In Management & Technology 2013.
- [2] Anish Mathew" Internal Model Control of pressure process using ARM Microcontroller" International Conference Computing, Electronics and Electrical Technologies (ICCEET), 2012.

International Journal of Innovative Research in Science, Engineering and Technology

(An ISO 3297: 2007 Certified Organization)

Vol. 4, Special Issue 6, May 2015

- [3] Gowri Shankar "Control of Boiler Operation using PLC – SCADA" International MultiConference of Engineers and Computer Scientists(IMEC), 2008
- [4] Hari Krishnan " optimization of main boiler parameters using soft computing techniques "International Journal of Research And Tecnology.
- [5] Rahul Malhotra "Boiler Flow Control Using PID and Fuzzy Logic Controller" International Journal of Computer Science & Engineering Technology (*IJCSET*),2011.
- [6] RoopalAgrawal ,UmeshC.Pati "Internet Based Boiler Drum Level Control System Using LabVIEW"
- [7] Sanjoy Kumar Chakraborty, Nilotpal Manna and SurodhDey" Importance of three-elements boiler drum level control and it installation in power plant"International Journal of Instrumentation and Control Systems (IJICS),2014.
- [8] Sauravkumar "Multi parameter monitoring & controlling for a boiler using pic controller"International Journal of Scientific & Engineering Research,2014.
- [9] Shital S. Chopade, PradhumanVerma, PrashantVerma" Simulation of Boiler Control using PLC & SCADA"International Journal of Engineering and Advanced Technology (IJEAT), 2013.
- [10] SubodhPanda ,Bikash Swain ,Sandeep Mishra "Boiler Performance Optimization Using Process Neural Network"Indian journal of applied research paper,2013.

BIOGRAPHY



K.Padmapriya is pursuing, PG in the discipline of Embedded System Technologies at Knowledge Institute of Technology, Salem, under Anna University, Chennai, India. She received her UG degree in the discipline of Electronics and Communication Engineering at Vivekanandha College of Engineering for Women, under Anna University, Chennai, India .She has published and presented a number of technical papers in National Conferences and Technical symposiums. She is doing minor research works on various fields like Embedded Systems, and VLSI technology she is the Executive Member of Embedded Club at Knowledge Institute of Technology, Salem. She has attended many

international workshops conducted by various colleges. She got the best project award. She is highly appreciated by the Head of the Department.