

# Design, Analysis and Testing of Spindle for high speed CNC Lathe Machine

Rishikesh B.Kamthe<sup>1</sup>, Chetan S.Magdum<sup>2</sup>, Aditya S. Gandhi<sup>3</sup>, Pranav A.Naik<sup>4</sup>, Prof. P.D.Gharge<sup>5</sup>

UG Student, Department of Mechanical Engineering, NBN Sinhgad School of Engineering, Pune, Maharashtra, India<sup>1</sup>

UG Student, Department of Mechanical Engineering, NBN Sinhgad School of Engineering, Pune, Maharashtra, India<sup>2</sup>

UG Student, Department of Mechanical Engineering, NBN Sinhgad School of Engineering, Pune, Maharashtra, India<sup>3</sup>

UG Student, Department of Mechanical Engineering, NBN Sinhgad School of Engineering, Pune, Maharashtra, India<sup>4</sup>

Asst. Prof., Department of Mechanical Engineering, NBN Sinhgad School of Engineering, Pune, Maharashtra, India<sup>5</sup>

**ABSTRACT:** This report presents an expert CNC spindle design system strategy which is based on the efficient utilization of past design experience, the laws of machine design, dynamics and metal cutting mechanics. The configuration of the spindle is decided from the specifications of the workpiece material, desired cutting conditions, and most common tools used on the machine tool. The spindle drive mechanism, drive motor, bearing types, and spindle shaft dimensions are selected based on the target applications. The structural dynamics of the spindle are automatically optimized by distributing the bearings along the spindle shaft. Based on maximum cutting force incurred the analysis will be carried out. The main objective is to carry out the static analysis of spindle structure for maximum cutting force condition and predicting life of bearings. From static analysis, stress and deformation of the spindle can be found.

**KEYWORDS:** CNC, Spindle, Bearings, Maximum Cutting Forces, Static analysis.

## I. INTRODUCTION

The spindle is the main mechanical component in machining centres. The static and dynamic stiffness of the spindle directly affect the machining productivity and finish quality of the workpieces. The structural properties of the spindle depend on the dimensions of the shaft, motor, tool holder, bearings, and the design configuration of the overall spindle assembly. The bearing arrangements are determined by the cutting operation type, and the required cutting force and life of bearings.

The main aim of machine tool design is to achieve long-term precision and high cutting productivity, which directly influence the operating costs of the machine. However, increases in productivity are very often limited by chatter occurring in the machine – tool – workpiece system. The type of cutting operation and the tool employed determine which part of the system will be excited and which will begin to vibrate with the highest amplitude.

The performance analysis of spindle system of machine tools based on finite element analysis software includes the following steps: creating finite element model, identifying constraints and imposing load, solving the model and analysing the output result. In finite element analysis, for different models, analysis types and analysis methods, the appropriate type of unit should be selected. It is necessary to take both the accuracy of the calculation and the cost together with the time of the calculation into account. The accuracy of finite element analysis result is closely related with the density of divided meshes. The more the mesh density is, the more the calculation accuracy is, but it also takes higher calculation cost. When the mesh density reaches certain extent, further increased mesh density will not lead to the improvement of the accuracy of analysis result but to doubled calculation cost. To make the mesh density achieve the best results, it is necessary to go through trial and error.[2]

# International Journal of Innovative Research in Science, Engineering and Technology

(An ISO 3297: 2007 Certified Organization)

Vol. 5, Issue 5, May 2016

A high speed spindle that will be used in a metal cutting machine tool must be designed to provide the required performance features. The major performance features include:

- i. Desired Spindle Power.
- ii. Maximum Spindle Load - Axial and Radial
- iii. Maximum Spindle Speed Allowed
- iv. Tooling Style, Size and Capacity for ATC
- v. Belt Driven or Integral Motor-Spindle Design
- vi. High running accuracy
- vii. Great stiffness
- viii. Low and even running temperature
- ix. Minimum need of maintenance

Paper is organized as follows. Section II describes Design and Analysis of Spindle Assembly. Section III presents experimental results showing results of images . Finally, Section IV presents conclusion

## II. DESIGN AND ANALYSIS OF SPINDLE ASSEMBLY

### Cutting forces calculations:

Benefits of knowing and purpose of determining cutting forces-

The aspects of the cutting forces concerned:

- Magnitude of the cutting forces and their components.
- Directions and locations of action of those forces.
- Pattern of the forces: static and / or dynamic.

Knowing or determination of the cutting forces facilitate or are required for:

- Estimation of cutting power consumption, which also enables selection of the power source(s) during design of the machine tools.
- Structural design of the machine - fixture - tool system.
- Evaluation of role of the various machining parameters (process -  $V_c$ ,  $f_o$ ,  $t$ , tool - material and geometry, environment - cutting fluid) on cutting forces.
- Study of behavior and machinability characterization of the work materials.
- Condition monitoring of the cutting tools and machine tools.

Cutting force ( $F_c$ ) for turning operation is calculated by,

$$F_c = K_s \cdot f \cdot d$$

Where,

$K_s$  is specific cutting resistance

$f$  is feed rate (mm/rev)

$d$  = Depth of cut (mm)

### Results for Turning Operations:

For  $V_c=180$  m/min  $\sigma = 75$  kgf/mm<sup>2</sup>

Feed (mm/rev)	Radial Force (N)	Axial Force (N)	Torque (Nm)	Power (kW)
0.15	2207.25	1274.34	77.254	6.62

# International Journal of Innovative Research in Science, Engineering and Technology

(An ISO 3297: 2007 Certified Organization)

Vol. 5, Issue 5, May 2016

### Shaft calculations:

Shaft is a common and important machine element. It is a rotating member, in general, has a circular cross-section and is used to transmit power. The shaft may be hollow or solid. The shaft is supported on bearings and it rotates a set of gears or pulleys for the purpose of power transmission. The shaft is generally acted upon by bending moment, torsion and axial force. Design of shaft primarily involves in determining stresses at critical point in the shaft that is arising due to aforementioned loading. Other two similar forms of a shaft are axle and spindle.



Fig.1 Spindle Shaft

Shaft material= 60C4

Here,  $d$ = diameter of shaft

$D_o$  = outer diameter of shaft

$D_i$  = inner diameter of shaft

$M_B$ = Moment at B

$M_A$ = Moment at A

Pulley force acts at point P and the maximum cutting force acts at L

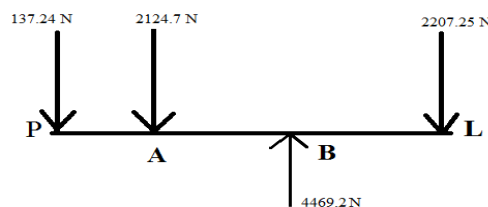


Fig.2 Free Body Diagram

Shaft diameter:-

$$d^3 = \frac{16}{\pi \times \zeta_{\max}} \sqrt{(K_b M_B)^2 + (K_t M_t)^2}$$

From above equation spindle diameter is 30mm

### Bearing Calculations:

Bearing calculations were carried out as per the standard procedure using SKF Catalogue for spindle diameters starting from 30mm. The bearing of diameter 55mm satisfies the conditions of speed and strength. But for structural requirement we selected the bearing of diameter 60mm of BTM series, which is Super Precision Angular Contact Thrust Ball Bearing.

Bearing Designation- BTM 60 BTN9/ P4CDB

## International Journal of Innovative Research in Science, Engineering and Technology

(An ISO 3297: 2007 Certified Organization)

Vol. 5, Issue 5, May 2016

### Deflection Calculation:

Maximum deflection of spindle was calculated using Macaulay's method.  
Maximum deflection of spindle is 0.003 mm.

### CAD Modelling

Creo Parametric 2.0 was used for 3D modeling of spindle assembly.



Fig.3 Spindle assembly

The figure above shows the complete assembly of the spindle. The modelling of every part of the assembly was done by keeping in mind all the design aspects and considerations.

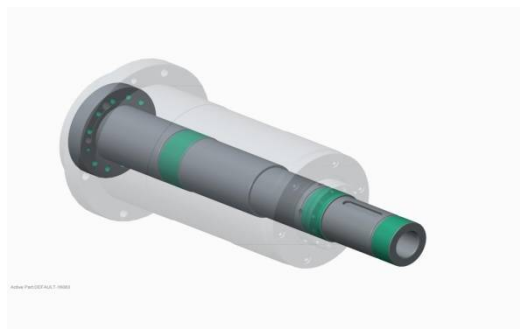


Fig.4 Spindle

The spindle or shaft which is the integral part of the assembly as seen above was modelled with a lot of attention to every detail.

The spindle was fully optimised in order to make it strong enough to withstand the forces acting on it.

# International Journal of Innovative Research in Science, Engineering and Technology

(An ISO 3297: 2007 Certified Organization)

Vol. 5, Issue 5, May 2016

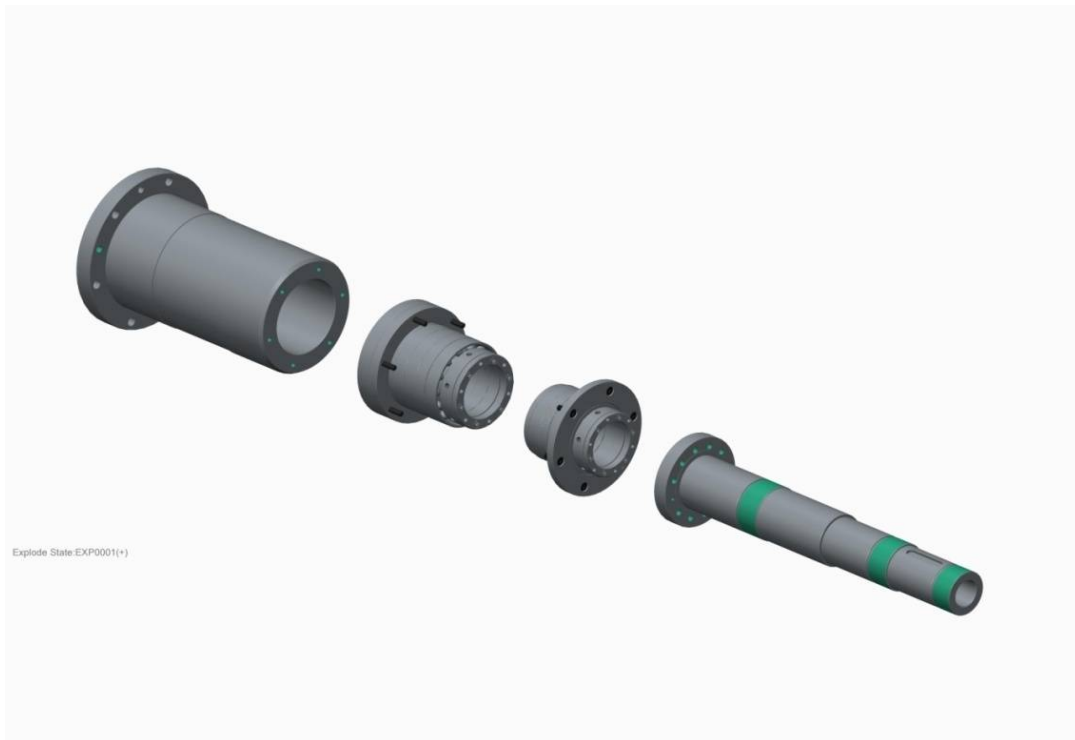


Fig.4 Exploded view of spindle assembly

The above figure shows the exploded view of the assembly which consists of spindle, bearings, housing and other parts.

## Analysis

The following results were obtained after carrying out the static analysis of the spindle using Ansys.[7]

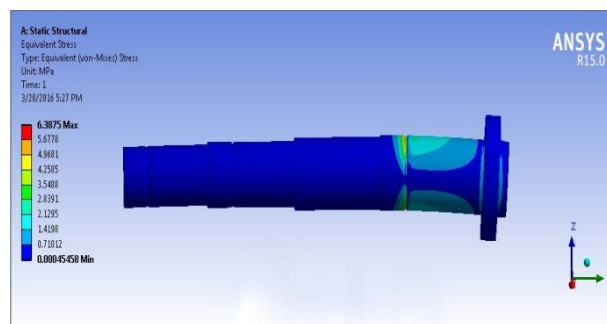


Fig.5 Stress distribution

The fig. depicts the stresses induced in the spindle after applying the forces at the appropriate points.

# International Journal of Innovative Research in Science, Engineering and Technology

(An ISO 3297: 2007 Certified Organization)

Vol. 5, Issue 5, May 2016

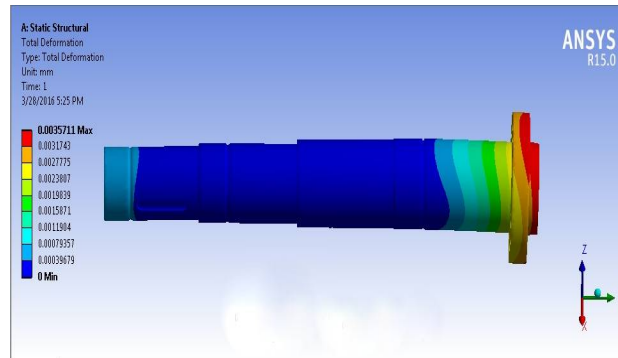


Fig.6 Total Deformation

The figure shows the maximum deformation taking place after action of forces.

## Result Table

Object Name	Total Deformation	Equivalent Elastic Strain	Equivalent Stress
State	Solved		
<b>Scope</b>			
Scoping Method	Geometry Selection		
Geometry	All Bodies		
<b>Definition</b>			
Type	Total Deformation	Equivalent Elastic Strain	Equivalent (von-Mises) Stress
By	Time		
Display Time	Last		
Calculate Time History	Yes		
Identifier			
Suppressed	No		
<b>Results</b>			
Minimum	0. mm	2.9101e-009 mm/mm	4.5458e-004 MPa
Maximum	3.5711e-003 mm	3.7768e-005 mm/mm	6.3875 MPa
<b>Minimum Value Over Time</b>			
Minimum	0. mm	2.9101e-009 mm/mm	4.5458e-004 MPa
Maximum	0. mm	2.9101e-009 mm/mm	4.5458e-004 MPa
<b>Maximum Value Over Time</b>			
Minimum	3.5711e-003 mm	3.7768e-005 mm/mm	6.3875 MPa
Maximum	3.5711e-003 mm	3.7768e-005 mm/mm	6.3875 MPa

# International Journal of Innovative Research in Science, Engineering and Technology

(An ISO 3297: 2007 Certified Organization)

Vol. 5, Issue 5, May 2016

### III. TESTING

Run-out (microns)	Noise level(dB)	Temperature(°C)	Speed (rpm)
1	87.4	44.4	6175
1	76.24	41.5	4500
1	65.4	38.6	3000
1	50.25	37.6	1500

The testing was successfully carried out on the spindle assembly considering the parameters mentioned in the table above. The spindle was mounted on the test rig and necessary clamping was provided as shown in photograph. The spindle was driven by a motor whose maximum speed was 2580 rpm and the ratio of motor pulley to the spindle pulley was 2.25. The designed speed of 6000 rpm was successfully reached. The run-out measured for the designed speed of 6000 rpm, on the inner surface of the spindle to check its circularity was 1 microns. Noise was measured for the same speed using noise level meter and it was 87.4 dB which is permissible and safe for the operator. After running the spindle at about 6175 rpm for about an hour, the temperature rise was measured using thermocouple. The rise in the temperature was 44.4°C which is safe for its operation.



a) Test Rig



b) Run-out Measurement



c) Noise Level Measurement

The above tests a, b and c were carried out on the spindle and the results were recorded. The results are mentioned in the above table.

# International Journal of Innovative Research in Science, Engineering and Technology

(An ISO 3297: 2007 Certified Organization)

Vol. 5, Issue 5, May 2016

## IV. CONCLUSION

Project presents the Design of CNC lathe Spindle in which the design considerations were studied from various reference papers and the forces acting on the CNC spindle while various machining processes were calculated by referring to the theory of metal cutting. The torque and power required from the motor are calculated from the forces achieved.

This design data was used in the FEA of the spindle. The results obtained from multiple iterations of FEA were safe according to the design considerations and were used to manufacture the spindle.

The CNC Lathe Spindles used in the industry at present are having a low cycle time and spindle speed. The Spindle designed here has a high spindle speed which aims at reducing the cycle time efficiently and increases productivity.

High speed spindle allows the use of cemented carbide tools which cannot be used at low spindle speeds. Machining can be done at higher cutting speeds and feeds which would eventually reduce machining time and enhances the productivity.

The surface finish is also improved by using high speed spindle and cemented carbide tools as compared to low speed spindle machine

## REFERENCES

- [1] P.C.Sharma, Production Engineering, S.Chand and Company LTD., 12th edition.
- [2] Osamu Maeda, Yuzhong Cao, Yusuf Altintas "Expert spindle design system", International Journal of Machine Tools & Manufacture 45 (2005) 537-548, Manufacturing Automation Laboratory, Department of Mechanical Engineering, University of British Columbia, 2324 Main Mall, Vancouver, BC, Canada V6T 1Z4 Received 27 July 2004; accepted 24 August 2004, Available online 5 October 2004
- [3] Yingchun Liang, Wanqun Chen, Yazhou Sun, NanYu, Peng Zhang, Haitao Liu, An expert system for hydro/aero-static spindle design used in ultra-precision machine tool, Robotics and Computer-Integrate Manufacturing, Center for Precision Engineering, Harbin Institute of Technology, Harbin 150001, PRChina.30(2014)107-113.
- [4] S. Saravanan, G.S. Yadava, P.V. Rao, Condition monitoring studies on spindle bearing of a lathe, Int J AdvManufTechnol (2006) 28: 993-1005, Received: 10 June 2004 / Accepted: 18 October 2004 / Published online: 16 November 2005.
- [5] X.D. Lu M.P. Paone, I. Usman, B. Moyls a, K. Smeds, G. Rotherhofer, A.H. Slocum, Rotary-axial spindles for ultra-precision machining, CIRP Annals - Manufacturing, Precision Mechatronics Laboratory, The University of British Columbia, Vancouver, Canada V6T 1Z4, Precision Engineering Research Group, Massachusetts Institute of Technology, Cambridge, USA, Technology 58 (2009) 323-326.
- [6] Santosh Arali, V.V.Kulkarni, Analysis Of Cnc Lathe Spindle For Maximum Cutting Force Condition And Bearing Life, International Journal of Innovative Research in Advanced Engineering (IJIRAE) PG Student, Machine Design, Gogte Institute of Technology Belgaum, Asst.Professor, Department of Mechanical Engineering, Gogte Institute of Technology Belgaum, ISSN: 2349-2163, Volume 1 Issue 6 (July 2014).
- [7] M. Sulitka, P. Kolar, Calculation Of Spindle Compliance Considering It's Interaction With Machine Frame, Research Center for Manufacturing Technology, Faculty of Mechanical Engineering, CTU in Prague, Czech Republic.
- [8] Dr. S. Shivakumar, Dr. Anupama N Kallol, VishwanathKhadakbhavi "Analysis Of Lathe Spindle Using Ansys", International Journal of Scientific & Engineering Research, Professor, Dept. of I and P Engg, Gogte Institute of Technology, Belgaum, Karnataka, India, PG Student, Product Design & Manufacturing, Visvesvaraya Technological University, Belgaum, Volume 4, Issue 9, September-2013 431 ISSN 2229-5518.
- [9] Masatsugu MORI, Takuji Kobayashi, "High-Speed Tapered Roller Bearing for Machine Tool Main Spindles", Ntn Technical Review No.74 2006.
- [10] P. S. Valsange, M. L. Kulkarni, "Design and analysis of spindle head for micro milling machine, Department mechanical engineering, SVERI's college of engineering, Pandharpur, Department mechanical engineering, MIT's Academy of engineering, ", e-ISSN: 2278-1684, p-ISSN: 2320-334X, Volume 11, Issue 3.
- [11] A. S. Udgave, Prof. V. J. Khot, "Design & development of multi spindle drilling head (msdh)", IOSR Journal of Mechanical and Civil Engineering, Dr. J. J. Magdum College Of Engineering, Jaysingpur, Asst.Prof.Mechanical Department, Dr. J. J. Magdum College Of Engineering, Jaysingpur., ISSN: 2278-1684, PP: 60-69.
- [12] Subhajit Chatterjee, "Spindle Deflections in High-speed Machine Tools Modelling and Simulation", Int J AdvManufTechnol Industrial Engineering Department, The University of Tennessee, Knoxville, USA, 11:232-239.
- [13] P. Astakhov and Xinran Xia, "A Methodology for Practical Cutting Force Evaluation Based On The Energy Spent In The Cutting System", Machining Science and Technology, 12:325-347, Viktor, General Motors Business Unit of PSMi, Saline MI, USA, Michigan State University, Department of Mechanical Engineering, East Lansing, Michigan, USA, 12:325-347.
- [14] AnandkumarTelang "Static Stiffness Analysis Of High Frequency Milling Spindle", International Journal of Research in Engineering and Technology, Assistant Professor, Mechanical Engg Department, BKIT, Bhalki, Karnataka, India, eISSN: 2319-1163.
- [15] V.B.Bhandari, Machine Design, Tata McGraw-Hill Education, 12th edition.