

ECG Telemetry System Using Raspberry Pi from IOT

Chandini¹, Harshitha P², Mangala H D³, Sapna C L⁴, Manojkumar S B⁵

UG Students of Dept. of ECE, BGSIT, BG Nagar, Karnataka, India^{1,2,3,4}

Assistant Professor, Dept. of ECE, BGSIT, BG Nagar, Karnataka, India⁵

ABSTRACT: Smart and cost effective health-care has been in increasing demand to meet the needs of growing human population and medical expenses. It is a known fact that country like India has become heart disease capital of the world. There is an urgent need to develop an effective health monitoring system that can detect abnormalities of health conditions in time and make diagnoses according to the gleaned data. ECG monitoring is a widely studied and applied approach to diagnose heart diseases. However, existing portable wireless ECG monitoring systems cannot work without a mobile application, which is responsible for data collection and passing on the messages to doctors. Recent advances in mobile technology and cloud computing have inspired numerous designs of cloud-based health care services and devices. Within the cloud system, medical data can be collected and transmitted automatically to medical professionals from anywhere and feedback can be returned to patients through the network. In this paper, we propose a new method for ECG monitoring based on Cypress Wireless Internet Connectivity for Embedded Devices (WICED) Internet of Things (IoT) platform. ECG data are gathered using a wearable monitoring node and are transmitted directly to the IoT cloud using Wi-Fi. Internet of Things utilizes open source protocols like CoAP/HTTP, MQTT, TLS/TCP, DTLS/UDP and OMALWM2M for data communication and device management.

KEYWORDS: Internet of things (IOT), wearable monitoring node, wireless sensor networks (WSNs), medical body area networks, raspberry pi,

I. INTRODUCTION

By 2020 unprecedented growth in the Internet of Things (IOT) technologies will make it possible to talk about 50 billion connected devices through the internet. Body-worn sensors are the most among the other devices that monitor personal health conditions. There has been an increasing interest in wearable sensors in recent years and an emerging set of new products are commercially available for activity recognition, personal health monitoring, and fitness. For clinical use, long-term patient monitoring and management has also been considered. The two driving factors of this technology are the IOT-based data collection and cloud-based analytics.

Development of mobile Internet and wireless sensor networks (WSNs) have led to birth of wearable ECG monitoring systems. This gave rise to the idea of building an integrated IOT and cloud based solution for health-care applications. For instance, smart phone based bio-signal monitoring approach is demonstrated by. A systematic review of various mobile health-care approaches was carried out by. A mobile cloud-based ECG monitoring service was presented. Internet-of Things (IoT)-driven health and wellness monitoring systems enable remote and continuous monitoring of individuals, with applications in chronic conditions such as obesity, hypertension, diabetes, hyperlipidemia, heart failure, asthma, depression, elderly care support, preventive care and wellness. The IOT paradigms can play a significant role in improving the health and wellness of subjects by increasing the availability and quality of care, and dramatically lowering the treatment costs and frequent travel.

The IOT-driven healthcare system employs networked biosensors to simultaneously collect multiple physiological signals and wireless connectivity to share/transmit gathered signals directly to the cloud diagnostic server and

International Journal of Innovative Research in Science, Engineering and Technology

(A High Impact Factor, Monthly, Peer Reviewed Journal)

Visit: www.ijirset.com

Vol. 7, Issue 4, April 2018

thecaregivers for further analysis and clinical review. Further, the IoT-enabled remote monitoring applications can significantly reduce travel, cost and time in long-term monitoring applications.

II. LITERATURE SURVEY

Healthcare can be delivered in three broad-based setting types: acute care, community-based care and long-term care. Acute care refers to a hospital setting where the caregivers are paid health care professionals. Community-based care is delivered in a home setting, where the patient is living in his or her own or another's home and where caregivers are either paid professionals or unpaid family members or friends. Long-term care refers to nursing homes or other skilled nursing facilities where patients reside for weeks, months, years or for the remainder of their lives and where caregivers are paid professionals.

IOTs can be used to collect patient and other data in these settings, and aggregate the data using analytics and then reporting this information to caregivers and/or take some action (such as shutting down a faulty medical device). Instead we define three classes of use cases of healthcare

IOTs:

Tracking humans Class, systems involve tracking humans' data (e.g. patients, caregivers, family members) using IOT devices. Perhaps the most mature field for IOT in health care is patient data-gathering. Currently, telemetry monitors can automatically measure and send or upload EKG stats, core body temperature (CBT), blood pressure, urine output, etc. Tracking things, the second class of systems involves tracking "things" in a healthcare setting in real-time. These could include medical devices, supplies, specimens and more. For example, certain shared equipment found in hospitals is "scarce" (e.g. EKG machines, Intravenous pumps, intermittent pressure devices for prevention of thrombosis). IOT could be used to track the location of such equipment tracking humans and things, the applications in Class C involve a hybrid of Classes A and B. Taking the dimensions of care settings and IOT application classes [1].

Data selection and labelling Data to support development and evaluation of challenge entries were collected by the Sana project and provided freely via Physio Net. The data set includes 1500 ten-second recordings of standard twelve-lead ECGs; age, sex, weight, and possibly other relevant information about the patients; and (for some patients) a photo of the electrode placement taken using the mobile phone. Some of the recordings were identified initially as acceptable or unacceptable, but subsequently challenge participants annotated their own annotations to establish a gold (or perhaps silver) standard reference database of the quality of the recordings in the challenge data set. The challenge data are standard 12-lead ECG recordings (leads I, II, III, aVR, aVL, aVF, V1, V2, V3, V4, V5, and V6) with full diagnostic bandwidth (0.05 through 100 Hz). Each lead was sampled at 500 Hz with 16-bit resolution. Pre-processing of ECGs Each channel of ECG was filtered to remove baseline wander and low frequency noise using a high pass filter with a cut-off at 1 Hz. QRS detection was performed on each channel individually using two open source QRS detectors (eplimited and wqrs) since eplimited is less sensitive to noise. The resultant 72 features were then used to train various machine learning algorithms to classify the data as acceptable (1) or unacceptable (-1). To compare possible inconsistencies in labelling between the sets we compared results for training on Set-a and testing on Set-b against training on Set-b and testing on Set-a. We compared three different classifiers; Naïve Bayes (NB), a support vector machine (SVM), and a multi-layer perceptron (MLP) artificial neural network. We tested two classification approaches: a single classifier trained on all 12 leads combined and 12 separate classifiers trained on the individual leads [2].

A real-time ECG system that facilitates the monitoring and follows up of the patient's condition is implemented. The electrocardiogram (ECG) is a test that records the electrical activity of the heart. These records hold important information that can be used to monitor and measure how fast the heart is beating and to detect the abnormalities of the heartbeats. The proposed system has good extensibility and can easily incorporate other physiological signals to suit various tele-health phenomenon's. System description the GSM Module in the system serves as the receiver

International Journal of Innovative Research in Science, Engineering and Technology

(A High Impact Factor, Monthly, Peer Reviewed Journal)

Visit: www.ijirset.com

Vol. 7, Issue 4, April 2018

and transmitter of the patient's heart data. It digitizes and compresses data, then sends it down a channel with two other streams of user data, each in its own time slot. It operates at either the 900 MHz or 1800 MHz frequency band[3].

III.METHODOLOGY

The project is to collect the real time ECG Signals from the human being & analysis for heart rate. The system mainly consists of Raspberry pi, Ecg Sensor, Initially the L, R, F of ECG sensor connected to the human heart/left hand of a human being, then the sensor will collect the ECG signal of a human being & given to the microcontroller where the microcontroller will store the data in cloud server which can be accessed specialists. Based on the system will collect prescription along with the heart rate from the cloud and sends the message to the patient via Twilio.

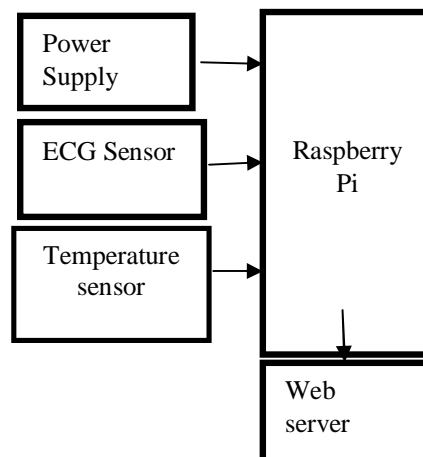


Figure 1: Block diagram of ECG Telemetry system

Raspberry Pi :

Raspberry Pi is a credit-card sized computer manufactured and designed in the United Kingdom by the Raspberry Pi foundation with the intention of teaching basic computer science to school students and every other person interested in computer hardware, programming and DIY-Do-it Yourself projects.

ECG sensor :

The AD8232 Single Lead Heart Rate Monitor is a cost-effective board used to measure the electrical activity of the heart. This electrical activity can be charted as an ECG or Electrocardiogram and output as an analog reading. ECGs can be extreme noisy, the AD8232 Single Lead Heart Rate Monitor acts as an op amp to help obtain a clear signal from the PR and QT Intervals easily. It is designed to extract amplify, and filter small bio potential signals in the presence of noisy conditions, such as those created by motion or remote electrode placement. The AD8232 Heart Rate Monitor breaks out nine connections from the IC that you can solder pins, wires, or other connectors to. SDN, LO+, LO-, OUTPUT, 3.3V, GND provide essential pins for operating this monitor with an Arduino or other development board. Also provided on this board are RA (Right Arm), LA (Left Arm), and RL (Right Leg) pins to attach and use your own custom sensors. Additionally, there is an LED indicator light that will pulsate to the rhythm of a heartbeat. Biomedical Sensor Pads and Sensor Cable are required to use the heart monitor.

International Journal of Innovative Research in Science, Engineering and Technology

(A High Impact Factor, Monthly, Peer Reviewed Journal)

Visit: www.ijirset.com

Vol. 7, Issue 4, April2018

Temperature sensor:

The LM35 are precision integrated circuit temperature devices with an output voltage linearly proportional to the centigrade temperature. The LM35 device has an advantage over linear temperature sensor calibrated in kelvin, as the user is not required to subtract a large constant voltage from the output to obtain convenient centigrade scaling. This device is used with single power supply, or with plus and minus supplies.

Power supply: 5v power supply is used.

Web server:

Cloud computing the one demand delivery of compute power, database storage, applications and other IT resources through a cloud service platform via the internet with pay has you go pricing. Cloud computing provides a simple way to access server storage, data bases and a broad set of application service over the internet. A cloud service platform such as a amazon web services owns and maintains the network connected hardware required for these application services. Suggestion taken by the specialized doctors are stored in this web server.

IV. EXPERIMENTAL RESULTS

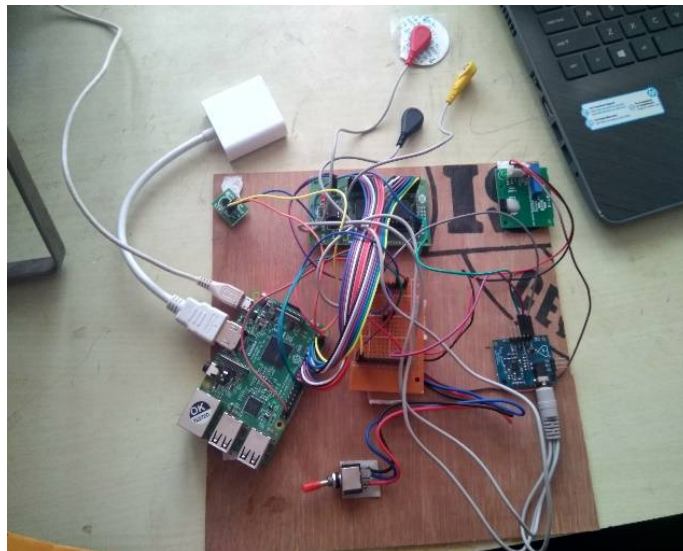


Figure 2: Model of ECG telemetry system

International Journal of Innovative Research in Science, Engineering and Technology

(A High Impact Factor, Monthly, Peer Reviewed Journal)

Visit: www.ijirset.com

Vol. 7, Issue 4, April2018

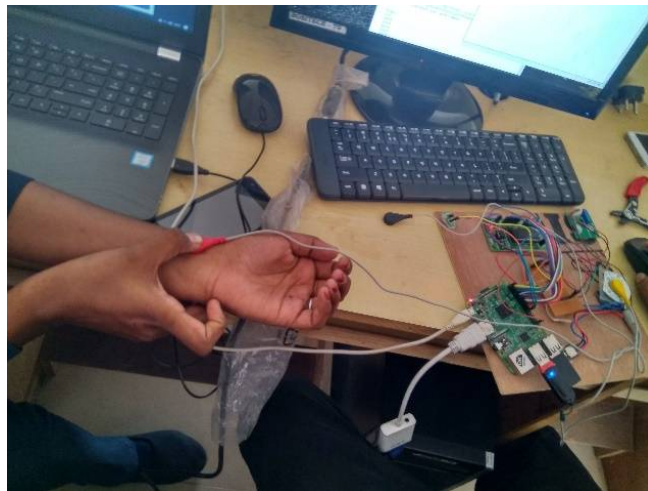


Figure 3: Experimentally checking heart rate

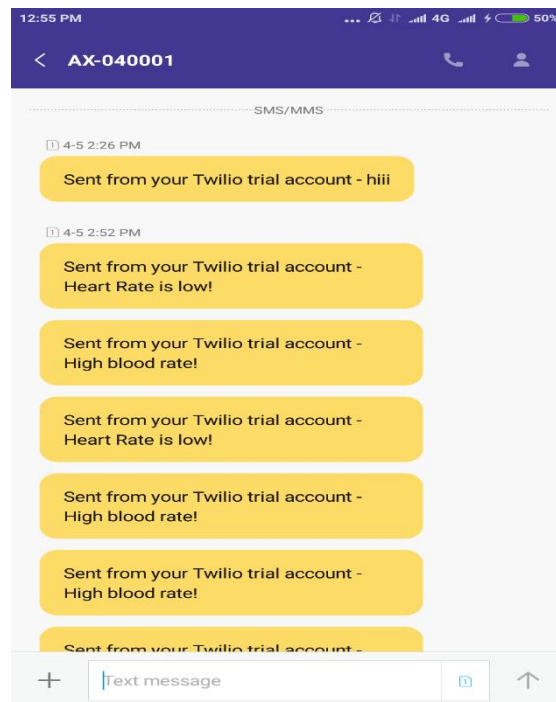


Figure 4: Message from the server to registered mobile number

ADVANTAGES

- Reduced the time delay factor.
- Reduced winding time.
- Easy to access from anywhere of the city.

International Journal of Innovative Research in Science, Engineering and Technology

(A High Impact Factor, Monthly, Peer Reviewed Journal)

Visit: www.ijirset.com

Vol. 7, Issue 4, April 2018

APPLICATIONS

Medical application

V. CONCLUSION

In this work we designed and implemented an ECG monitoring system based on cutting-edge cypress WICED IoT technology. The architecture of the IoT based ECG monitoring system was presented at the beginning. Various ECG sensing networks including Wi-Fi, Bluetooth, Zig-bee and BLE were introduced and compared. Based on the proposed architecture, an IoT-based ECG monitoring system was implemented. Through a wearable monitoring node with three electrodes, real-time ECG signals can be collected with satisfactory accuracy. The gathered data were transmitted to the IoT cloud using Wi-Fi, which supports high data rates and wide coverage areas. The IoT cloud is responsible for visualizing the ECG data to users and storing these valuable data for further analysis, which is implemented on the basis of three servers, i.e., the HTTP server, MQTT server, and storage server. Eliminating the need of mobile applications, the web-based GUI provides a versatile means independent of any mobile OS platform for users to access to the ECG data. Further studies on ECG monitoring are still needed in the future. AWS IoT is a new managed service that enables Internet-connected THINGS (apps, sensors, devices, actuators) to easily and securely interact with each other and the cloud.

VI. ACKNOWLEDGEMENT

We express our sincere and humble pranas to his holiness Jagadguru Padmabhusana Sri Sri Sri Bhairavikya DR. BALAGANGADHARANATHA MAHASWAMIJI, and Sri Sri Sri DR. NIRMALANANDANATHA SWAMIJI, Sri Adichunchanagiri Mahasamsthna Mutt and seek their blessings. I am heartily thankful to our beloved principal DR. B. KNARENDRA, BGSIT, B.G. Nagara, to DR. M. B. ANANDARAJU, HOD, Dept. of ECE, MR. MANOJKUMAR S B, Dept. of ECE, BGSIT, for his guidance, technical expertise and encouragement. I am extremely thankful to my PARENTS and friends who have been very cooperative and helpful during the entire course of the project.

REFERENCES

- [1] D. He, and S. Zeadally, "An analysis of RFID authentication schemes for internet of things in healthcare environment using elliptic curve cryptography," *IEEE Internet Things J.*, vol. 2, no. 1, pp. 72-83, 2015.
- [2] L. Catarinucci, *et al.*, "An IoT-aware architecture for smart healthcare systems," *IEEE Internet Things J.*, vol. 2, no. 6, pp. 515-526, 2015.
- [3] R. C. Alves, *et al.*, "Assisting physical (hydro) therapy with wireless sensors networks," *IEEE Internet Things J.*, vol. 2, no. 2, pp. 113-120, 2015.
- [4] M. T. I. ulHuque, *et al.*, "Body node coordinator placement algorithms for wireless body area networks," *IEEE Internet Things J.*, vol. 2, no. 1, pp. 94-102, 2015.
- [5] O. Omeni, *et al.*, "Energy efficient medium access protocol for wireless medical body area sensor networks," *IEEE Trans. Biomed. Circuits Syst.*, vol. 2, no. 4, pp. 251-259, Dec. 2008.
- [6] B. Mortazavi, *et al.*, "Context-Aware data processing to enhance quality of measurements in wireless health systems: an application to MET calculation of exergaming actions," *IEEE Internet Things J.*, vol. 2, no. 1, pp. 84-93, 2015.
- [7] C. Tsiropas, *et al.*, "A new method for profile generation in an internet of things environment: an application in ambient-assisted living," *IEEE Internet Things J.*, vol. 2, no. 6, pp. 471-478, 2015.
- [8] O. Yurur, C. H. Liu, and W. Moreno, "Light-Weight online unsupervised posture detection by smartphone accelerometer," *IEEE Internet Things J.*, vol. 2, no. 4, pp. 329-339, 2015.
- [9] A. Ahmadi, *et al.*, "Toward automatic activity classification and movement assessment during a sports training session," *IEEE Internet Things J.*, vol. 2, no. 1, pp. 23-32, 2015.
- [10] S. Amendola, R. Lodato, S. Manzari, C. Occhiuzzi, and G. Marrocco, "RFID technology for IoT-based personal healthcare in smart spaces," *IEEE Internet Things J.*, vol. 1, no. 2, pp. 144-152, 2014.
- [11] P. Kolios, C. Panayiotou, G. Ellinas, and M. Polycarpou, "Data-Driven event triggering for IoT applications," *IEEE Internet Things J.*, 2016.
- [12] F. Bsching, and L. Wolf, "The rebirth of one-time pads secure data transmission from BAN to sink," *IEEE Internet Things J.*, vol. 2, no. 1, pp. 63-71, 2015.
- [13] X. Qi, G. Zhou, Y. Li, G. Peng, "RadioSense: Exploiting wireless communication patterns for body sensor network activity recognition," *33rd IEEE Real-Time Systems Symposium (RTSS)*, pp. 95-104, 2012.
- [14] D. Tao, Y. Wen, and R. Hong, "Multi-column Bi-directional long shortterm memory for mobile devices-based human activity recognition," *IEEE Internet Things J.*, 2016.
- [15] P. Casale, M. Altini, and O. Amft, "Transfer learning in body sensor networks using ensembles of randomized trees," *IEEE Internet Things J.*, vol. 2, no. 1, pp. 33-40, 2015.

International Journal of Innovative Research in Science, Engineering and Technology

(A High Impact Factor, Monthly, Peer Reviewed Journal)

Visit: www.ijirset.com

Vol. 7, Issue 4, April 2018

- [16] U. Satija, B. Ramkumar, and M. S. Manikandan, "Robust cardiac event change detection method for long-term healthcare monitoring applications," *IET Healthcare Technol. Lett.*, 2016.
- [17] U. Satija, B. Ramkumar, and M. S. Manikandan, "A simple method for detection and classification of ECG noises for wearable ECG monitoring devices," *IEEE Int. Conf. Signal Process. Integrated Net. (SPIN)*, 2015.
- [18] G. D. Clifford, J. Behar, Q. Li, and I. Rezek, "Signal quality indices and data fusion for determining clinical acceptability of electrocardiograms," *Physiol. Meas.*, vol. 33, no. 9, pp. 1419-1437, 2012.
- [19] B. E. Moody, "Rule-based methods for ECG quality control," *Comput. Cardiol.*, vol. 38, pp. 361-363, 2011.
- [20] J. Behar, J. Oster, Q. Li, and G. D. Clifford, "ECG signal quality during arrhythmia and its application to false alarm reduction," *IEEE Trans. Biomed. Eng.*, vol. 60, no. 6, pp. 1660-1666, 2013.
- [21] C. Orphanidou *et al.*, "Signal quality indices for the electrocardiogram and photoplethysmogram: derivation and applications to wireless monitoring," *IEEE J. Biomed. Health Informatics*, vol. 19, no. 3, pp. 832-840, 2015.
- [22] P. X. Quesnel, A. D. C. Chan, and H. Yang, "Signal quality and false myocardial ischemia alarms in ambulatory electrocardiograms," *IEEE Int. Symp. Med. Meas. Appl. (MeMeA)*, pp. 1-5, June 2014.
- [23] D. Hayn, B. Jammerbund, and G. Schreier, "QRS detection based ECG quality assessment," *Physiol. Meas.*, vol. 33, no. 9, pp. 1449-1462, 2012.
- [24] D. Hayn, B. Jammerbund, and G. Schreier, "ECG quality assessment for patient empowerment in mHealth applications," *Comput. Cardiol.*, pp. 353-356, Sept. 2011.
- [25] L. Johannesen, and L. Galeotti, "Automatic ECG quality scoring methodology: mimicking human annotators," *Physiol. Meas.*, vol. 33, no. 9, pp. 1479-1490, 2012.
- [26] H. Naseri, and M. R. Homaeinezhad, "Electrocardiogram signal quality assessment using an artificially reconstructed target lead," *Computer Methods Biomech. Biomed. Eng.*, vol. 18, no. 10, pp. 1126-1141, 2015.