

Organized by

Department of ECE, Adhiyamaan College of Engineering, Hosur, Tamilnadu, India

IOT Based Smart Healthcare Kit Using Raspberry Pi

Manivannan P¹, Justin Andrew N², Dharanidharan S³, Santhoshkumar S⁴

Assistant Professor, Department of ECE, Adhiyamaan College of Engineering, Hosur, Tamilnadu, India¹

U.G. Student, Department of ECE, Adhiyamaan College of Engineering, Hosur, Tamilnadu, India^{2,3,4}

ABSTRACT: The paper exhibits the plan and usage of an IOT-based wellbeing checking framework for crisis therapeutic administrations which can show gathering, incorporation, and interoperation of IoT information adaptably which can offer help to crisis restorative administrations like Serious Consideration Units(ICU), utilizing a RASPBERRI PI advancement board. The proposed model empowers clients to enhance wellbeing related dangers and decrease medicinal services costs by gathering, recording, breaking down and sharing extensive information streams progressively and effectively. The possibility of this task came so to lessen the cerebral pain of patient to visit to specialist each time he have to check his circulatory strain, heart beat rate, temperature and so forth. With the assistance of this proposition the season of the two patients and specialists are spared and specialists can likewise help in crisis situation however much as could reasonably be expected. The proposed result of the task is to give legitimate and proficient medicinal administrations to patients by associating and gathering information data through wellbeing status screens which would incorporate patient's pulse, circulatory strain and ECG and sends a crisis caution to patient's specialist with his present status and full therapeutic data.

KEYWORDS: Web of thing (IoT); Restorative Administrations; Human services; Wellbeing Observing;

I. INTRODUCTION

Catching and sharing of indispensable information of the system associated gadgets through secure administration layer is the thing that characterizes IOT. [8]In straightforward terms, Web of Things (IOT) can be characterized as the remote system of gadgets which are associated with one another to share data and information so as to impart and create new data in order to record and investigate it for sometime later.

Web of Things picks up its maximum capacity by using the key pretending objects for example "Keen" objects which utilize different sensors and actuators that can see their specific situation, and by means of implicit systems administration abilities they could convey to one another, get to the open source Web benefits and associate with the human world. This makes the world associated as well as hearty and agreeable. The Web of things in the field of human services likewise assumes a noteworthy job in giving straightforwardness to patients and specialists. It comprises of a framework that imparts between system associated frameworks, applications and gadgets that can support patients and specialists to screen, track and record patients' essential information and medicinal data. A portion of the gadgets incorporate shrewd meters, wearable wellbeing groups, wellness shoes, RFID based brilliant watches and savvy camcorders. Likewise, applications for cell phones additionally help in keeping a medicinal record with constant caution and crisis administrations.

These interconnected IoT gadgets produce a lot of data and information that ought to be managed productively by the suppliers as is a major test. To defeat this test of putting away and dissecting vast information, the system of Web of Things Examination (Particle) is actualized. The crude information is changed over into a valuable and restoratively pertinent information utilizing the strategies like information extraction and information examination. Indeed, it has been anticipated that by 2020, more than 50-55 percent of methods used to break down crude information will improve an utilization of this inundation of information which is produced from

Organized by

Department of ECE, Adhiyamaan College of Engineering, Hosur, Tamilnadu, India

instrumented machines and applications. In request to make our social insurance administrations hearty and immense, the IOT depends on a few empowering advances. Accumulation of ongoing information from different sources, for this situation, boundless number of patients for a vast timeframe has turned out to be simple and quick utilizing the capability of IOT[1]. The intensity of IOT for wellbeing and medicinal administrations are bridled by brilliant sensors (sensor and a microcontroller) which precisely measures, screens and dissect an assortment of wellbeing status pointers. These can incorporate essential indispensable wellbeing signs, for example, beat rate and circulatory strain, oxygen and glucose level in blood and pulse. Keen sensors can be consolidated into meds and pill bottles that are associated with a system and can produce alarms about whether the patient has taken a booked portion of medicine.

A great deal of headway and huge changes are happening in the field of IOT social insurance. The method for interfacing and speaking with people and different gadgets is changing and improving step by step. The executives of medicinal services results and decrease of social insurance costs is empowered by the regularly developing data and correspondence arrangements. The medicinal services administrations are showing signs of improvement and less expensive by gathering, recording, dissecting and sharing new information parcels progressively and proficiently. Additionally, as the world is receiving this regularly developing innovation of IOT, a significant number of the wasteful aspects in medicinal services will be diminished. For instance, different therapeutic gadgets like wellness groups, wellbeing observing frameworks, prescription boxes has brilliant sensors implanted into them that permits to gather the crude information, store it, investigate it, and direct tests which are additionally utilized by medicinal specialists to take appropriate choices.

To take the full preferred standpoint of altering IOT in medicinal services, the shoppers, patients and other wellbeing specialists need to think about some inventive and increasingly dependable strategies. What's more, with the assistance of IoT's potential they are presently ready to gather realtime crude information from boundless number of patients for a consistent timeframe through savvy gadgets associated on an interconnected system. It will require investment to completely understand the innovation's capacities. We will most likely observe restorative specialists doing determination and basic undertakings in an all the more better and solid way. This will guarantee them with solid outcomes as well as efficient which will be of most extreme advantage. The conceivable outcomes of IOT are genuinely boundless and regularly developing[2]. This paper proposes an IoT based wellbeing checking framework which would gather all the therapeutic information of a patient including his pulse, circulatory strain and ECG and would send alarms to the patient's specialist in regards to his/her full medicinal data, giving a quick and dependable social insurance administration. Besides, in this day and age everybody is caught up with dismissing their little social insurance issues like hypertension, low heartbeat rate and so forth. The paper finds a superior and vigorous answer for this test.

II. RELATED WORK

Research is going on in the field of IOT-healthcare which gives a clinical evidence that the raw data received from wireless network connected devices has contributed in managing and preventing chronic diseases and monitoring patients. Therefore, various health monitoring systems are getting wearable today, including glucose monitors, ECG monitors, pulse audiometers, and blood pressure monitors.

Similarly, research is going on for the advancement of IoT and various products and services based on them, pertaining to one or more domains among those of Automation[4], Artificial Intelligence and Intelligent systems[5] for energy conservation, Green Technology, and the likes.

III. HTML WEB PAGE

Hypertext Markup Language (HTML) is the standard markup language for making site pages and web applications. With Falling Templates (CSS) and JavaScript, it frames a set of three of foundation advancements for the Internet. Internet browsers get HTML reports from a web server or from neighborhood stockpiling and render the records into mixed media website pages. HTML portrays the structure of a site page semantically and initially included signs for the presence of the archive.

Organized by

Department of ECE, Adhiyamaan College of Engineering, Hosur, Tamilnadu, India

HTML components are the building squares of HTML pages. With HTML builds, pictures and different items, for example, intelligent structures might be inserted into the rendered page. HTML gives a way to make organized archives by signifying basic semantics for content, for example, headings, sections, records, connections, cites and different things. HTML components are depicted by labels, composed utilizing edge sections. Labels, for example, and <input/> specifically bring substance into the page. Different labels, for example, <p> encompass and give data about report message and may incorporate different labels as sub-components. Programs don't show the HTML labels, yet use them to decipher the substance of the page.

HTML can implant programs written in a scripting language, for example, JavaScript, which influences the conduct and substance of website pages. Consideration of CSS characterizes the look and design of substance[3]. The Internet Consortium (W3C), maintainer of both the HTML and the CSS principles, has supported the utilization of CSS over unequivocal presentational HTML since 1997.

The HTML website page is made to interface with the Raspberry pi and to get the qualities from the sensors like heart beat sensor, accelerometer and temperature sensor.

IV. RASPBERRY PI

The Raspberry Pi is a movement of minimal single-board PCs made in the Bound together Kingdom by the Raspberry Pi Foundation to advance training of major programming designing in schools and in making countries. Fig 1 shows that the principal display wrapped up unquestionably more standard than anticipated, moving outside its target showcase for usages, for instance, apply self-sufficiency. It excludes peripherals, (for instance, consoles and mice) and cases. In any case, a couple of additional items have been fused into a couple of official and casual gatherings.

The Raspberry Pi is coded with Introduced c to connect with the HTML site page and to get the characteristics from the sensors.

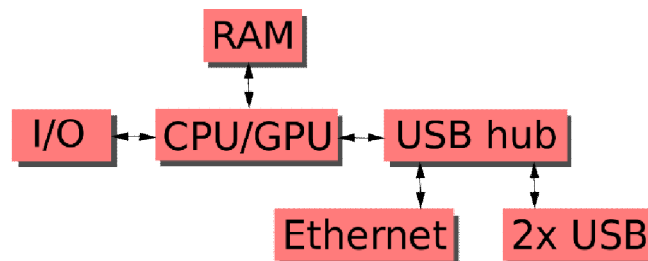


Fig1: Raspberry Connection Blocks

V. PROPOSED MODEL

We have proposed a generous prosperity watching system that is adequately shrewd to screen the patient normally using IOT that assembles the status information through these structures which would fuse patient's heartbeat, circulatory strain and ECG and sends an emergency alert to patient's expert with his present status and full remedial information. This would help the master with checking his patient from wherever and moreover to the patient to send his prosperity status clearly without visiting to the therapeutic center. Our model can be passed on at various centers and therapeutic foundations. Fig 2 shows that The system uses sharp sensors that produces unrefined data information assembled from each sensor and send it to a database server where the data can be furthermore researched and genuinely kept up to be used by the restorative experts. Keeping up a database server is a flat out need so that there is even track of record of the patient giving a prevalent and improved looking.

Organized by

Department of ECE, Adhyanmaan College of Engineering, Hosur, Tamilnadu, India

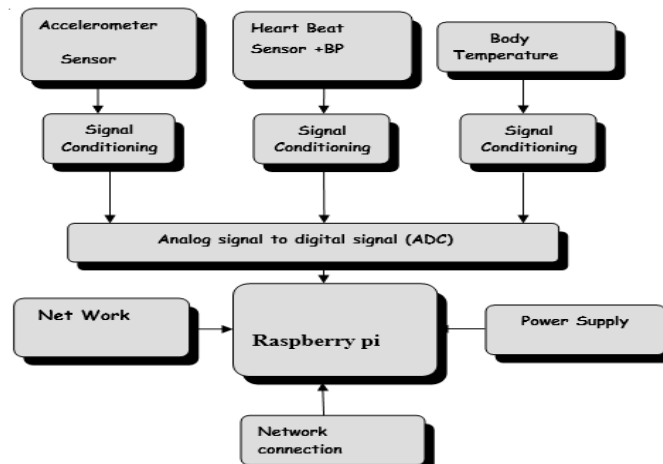


Fig 2. System Architecture

Hardware: The mind of our model is the Raspberry Pi board, a solitary board which depends on the Intel Quark SoCX1000, a 32-bit Intel Pentium processor-class framework on a chip (SoC). It is Arduino-certificated and intended to be equipment, programming, and stick good with vast scope of Arduino Uno R3 shields. [3]Raspberry Pi board is favored over Arduino on the grounds that this gives a Linux stage high preparing and processing power with in fabricate Ethernet shield and SD card support. It gets the data. Fig 3 shows the mind gathers the information from every one of the sensors associated with the patient and transfers this information on the web server by means of Ethernet. The specialist can monitor all the patient's information through the web customer.

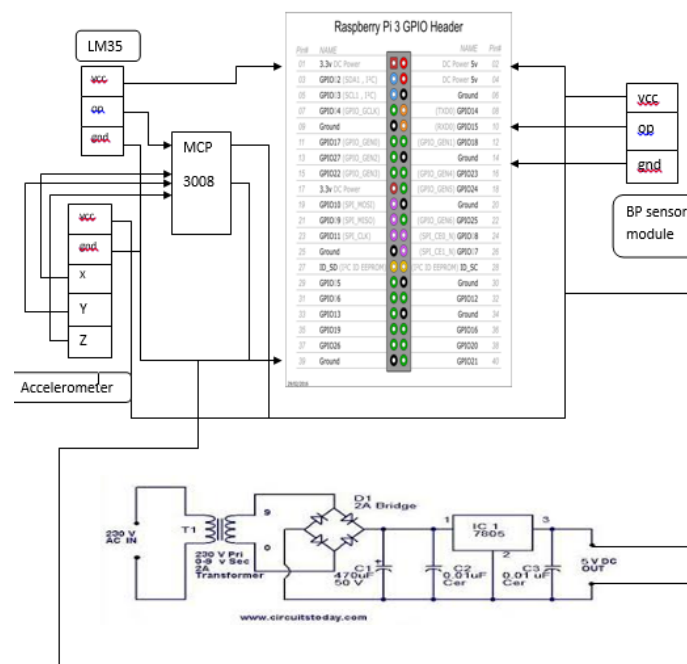


Fig 3: Circuit diagram

The sensor joined to the patient is a Heartbeat sensor (XD-58C Heartbeat sensor) takes +3.5V - +5V at VCC, 50Hz – 60 Hz recurrence and temperature sensor which keeps up the record of the patient's general wellbeing,

Organized by

Department of ECE, Adhiyamaan College of Engineering, Hosur, Tamilnadu, India

for temperature we have utilized LM-35 temperature sensor (DHT 11). Heart beat sensor is intended to give advanced yield of warmth beat when a finger is set on it. At the point when the heart beat identifier is working, the beat Drove flashes as one with every heartbeat.

This advanced yield can be associated with microcontroller specifically to quantify the Beats Every Moment (BPM) rate. It deals with the rule of light regulation by blood move through finger at each heartbeat. Different sensors like circulatory strain sensor, ECG sensor and a lot more can be added to the patient unit because of the patient's restorative condition. Programming: The product part incorporates an Arduino IDE which is expected to program our Intel Galileo Board which was utilized to transfer our last code of keeping up a database. Every one of the information associated with the sensors is sent to a Xampp based information base server to log the patient opportune record or detected information, which will help the specialist for better counseling and medicine to quiet. Increasingly over these datasets put away in database are utilized to plot diagram for every one of the sensors are appeared. The server has a possibility for transferring the database of the patients with their subtleties and their restorative history. The information server can be gotten to whenever by the specialist and the specialist can likewise observe the current live feed of the patient's therapeutic condition. A track of patient's wellbeing record is likewise kept up for future reference on the web-based interface. The entrance likewise has the alternative to keep up and track the 24-Hour records of various patients. Fig 4 shows the patient can likewise observe his/her therapeutic subtleties on the web-based interface. Subsequently this framework turns out to be an effective and hearty approach to investigate one's medicinal record and live track

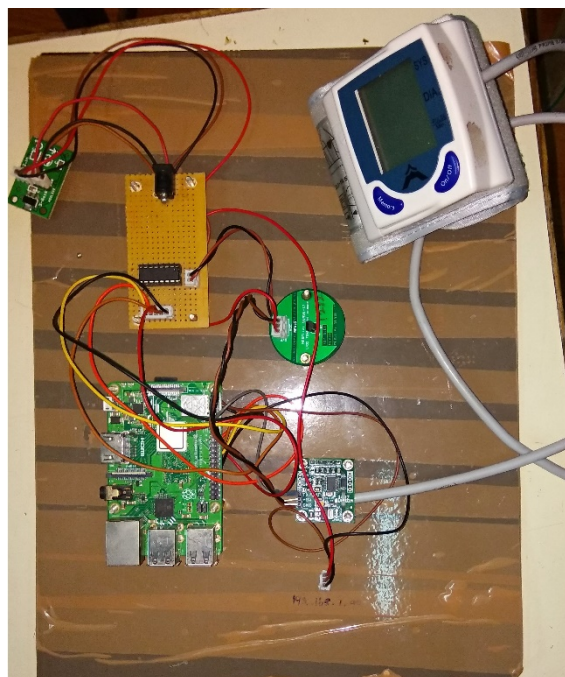


Fig 4: connected components

The server has an option for uploading the database of the patients with their details and their medical history. [6]The data server can be accessed any time by the doctor and the doctor can also see the current live feed of the patient's medical condition. A track of patient's health record is also maintained for future reference on the web portal. The portal also has the option to maintain and track the 24-Hour records of multiple patients. The patient can also see his/her medical details on the web portal. Thus this system proves to be an efficient and robust way to maintain and analyze one's medical record and live track.

VI. EXPERIMENTAL RESULTS

The proposed insightful wellbeing checking framework is being conveyed and tried over a patient whose individual subtleties are gone into the web-based interface. The patient is associated with uor wellbeing checking framework which comprises of a pulse sensor and a temperature sensor. Fig 5&6 shows the live diagram of the patient's pulse and temperature is being observed on a Xampp[7] based database server. The IOT gadget utilized here is Intel Galileo board. The framework engineering of the proposed model is clarified by the given underneath figures which incorporates a server associated Raspberry Pi board that transfers the information gotten by the sensors onto the database and measurable diagrams are being plotted for further examination and recording.

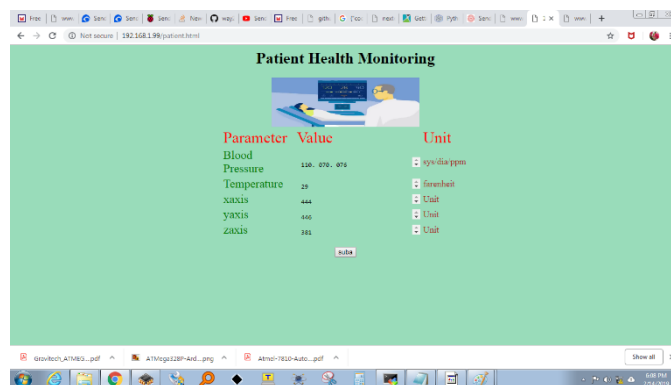


Fig 5: HTML web page values

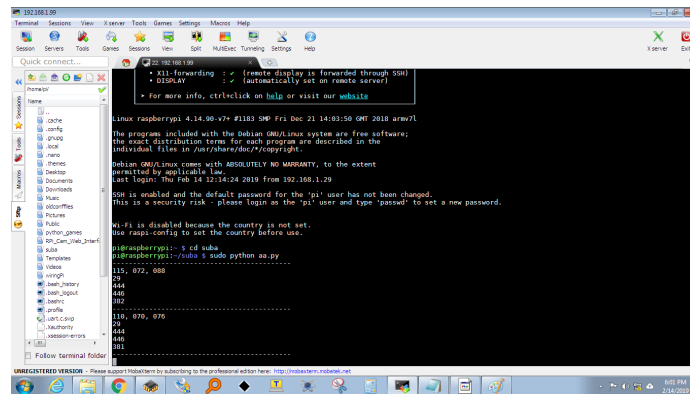


Fig 6: Value displayed in Raspberry pi GUI

VII. CONCLUSION

The primary thought of the proposed framework is to give better and effective wellbeing administrations to the patients by actualizing an arranged data cloud with the goal that the specialists and specialists could make utilization of this information and give a quick and a proficient arrangement.

The last model will be very much outfitted with the highlights where specialist can inspect his patient from anyplace and whenever. Crisis situation to send a crisis mail or message to the specialist with patient's present status and full therapeutic data can likewise be chipped away at.

The proposed model can likewise be conveyed as a portable application with the goal that the model turns out to be increasingly versatile and simple to get to anyplace over the globe.

Organized by

Department of ECE, Adhiyamaan College of Engineering, Hosur, Tamilnadu, India

REFERENCES

- [1] Sharma S, Tim US, Gadia S, Wong J. "Proliferating Cloud Density through Big Data Ecosystem, Novel XCLOUDX Classification and Emergence of as-a-Service Era".pp.-1-20 (2015)
- [2] Rintala, Mikko, JussiSormunen, Petri Kuisma, and MattiRahkala. "Automation System Products and Research."(2014).
- [3] Sandeep Patel, Punit Gupta, Mayank Kumar Goyal, "Low Cost Hardware Design of a Web Server for Home Automation Systems", Conference on Advances in Communication and Control Systems(CAC2S), 2013
- [4] Golzar, M.G. ;AsanPardazan Co. ;Tajozzakerin, H.R., "A New Intelligent Remote Control System for Home Automation and Reduce Energy Consumption", Mathematical/Analytical Modelling and Computer Simulation (AMS), 2010, IEEE.
- [5] Alkar, A.Z., HacettepeUniv; Roach, J. ; Baysal, D., "IP based home automation system", Consumer Electronics, IEEE Transactions on (Volume:56 ,Issue: 4), November 2010, IEEE
- [6] Al-Ali, A.R. ,AL-Rousan, M., "Java-based home automation system", Consumer Electronics, IEEE Transactions on (Volume:50 ,Issue: 2), May 2004,IEEE
- [7] Sharma S. "Evolution of as-a-Service Era in Cloud". arXiv preprint arXiv:1507.00939. 2015 Jun 29.
- [8] Sugam Sharma, U S Tim, ShashiGadia, and Johnny" Wong.(2015).Growing Cloud Density &asaService Modality and OTH Cloud Classification in IOT