



e-ISSN: 2319-8753 | p-ISSN: 2320-6710

# IJIRSET

International Journal of Innovative Research in  
**SCIENCE | ENGINEERING | TECHNOLOGY**

# INTERNATIONAL JOURNAL OF INNOVATIVE RESEARCH

IN SCIENCE | ENGINEERING | TECHNOLOGY

Volume 10, Issue 4, April 2021

**ISSN** INTERNATIONAL  
STANDARD  
SERIAL  
NUMBER  
INDIA

**Impact Factor: 7.512**

9940 572 462

6381 907 438

[ijirset@gmail.com](mailto:ijirset@gmail.com)

[www.ijirset.com](http://www.ijirset.com)



# IOT Based Home Lighting

Santhanaraj A<sup>1</sup>, Velladurai M<sup>2</sup>, Venkatesh R<sup>3</sup>, Antony jerald infant E<sup>4</sup>, Selvam N V<sup>5</sup>

UG Scholar, Department of EEE, Francis Xavier Engineering College Tirunelveli, Tamilnadu, India<sup>1,2,3,4</sup>

Assistant Professor, Department of EEE, Francis Xavier Engineering College Tirunelveli, Tamilnadu, India<sup>5</sup>

**ABSTRACT:** The aim of IOT based automated Home light management system is to reduce electricity wastage as well as to reduce manpower. Home light is the elemental part of any Home since it facilitates better night visions, secure indoor, but it consumes a quite large proportion of electricity. The proposed system enables maintenance and control of the home light and makes it easier to monitor and control its operation. It aims to design a smart home light that is free of any human intervention and provides quick maintenance functionality.

**KEYWORDS:** IOT, LED, LDR, GSM, USB, WIFI, SMS, IDE, ESP, SOC.

## INTRODUCTION

Home light is the basic piece of any Home. since it encourages better night dreams, secure indoor, however it burns-through a very enormous extent of power. In the manual home, light framework lights are fueled from dusk to dawn with most extreme power in any event, when there is adequate light free. The home light is perhaps the most pursued and huge perspective in a city that manages the indoor during the dull hours and contributes to a great extent to the security and prosperity of the residents. The sum spent behind this is frequently disregarded yet critical, it is enormous because of sodium fume lights being used as its luminaires that devour high force. The cost spent on the home light can be utilized for other advancement of the country. As of now a manual framework is utilized where the shafts are lit during the sunset and put off when first light. In the as of now existing framework, the specialists need to physically check for shortcomings in the home light or rather be suggested by a laborer or an inhabitant of that territory for guaranteed activity. This framework has a tremendous disadvantage as it expands manual exertion and the need of manual systems for upkeeps energy wastage can be tried not to by faint the lights naturally. The saved energy can be effectively used for different purposes like private, business, transportation, and so on This can be accomplished utilizing an IOT empowered home light administration framework. This venture utilizes Light Emitting Diodes (LED) that don't burn-through a huge measure of power to supplant the force devouring conventional HID lights. It guarantees high dependability and phenomenal long haul strength. The proposed work has accomplished better execution contrasted with the current framework. The customary home lighting support and control framework actually stays antiquated in this time of unrest and mechanical headway. The point of IOT based computerized Home light administration framework is to lessen power wastage just as to decrease labor. The proposed framework empowers support and control of the home light and makes it simpler to screen and control its activity. This application will have the accompanying highlights viz. programmed circuit deficiency location, shaft tendency identification, and light detecting. It expects to plan a keen home light that is liberated from any human intercession and gives speedy support usefulness. In the current situation, the home lights are turned ON at a pre-chosen time each evening and are turned OFF the following morning. This task gives an answer for quick fixing and amplifies the capacity to control the home lights distantly and productively.

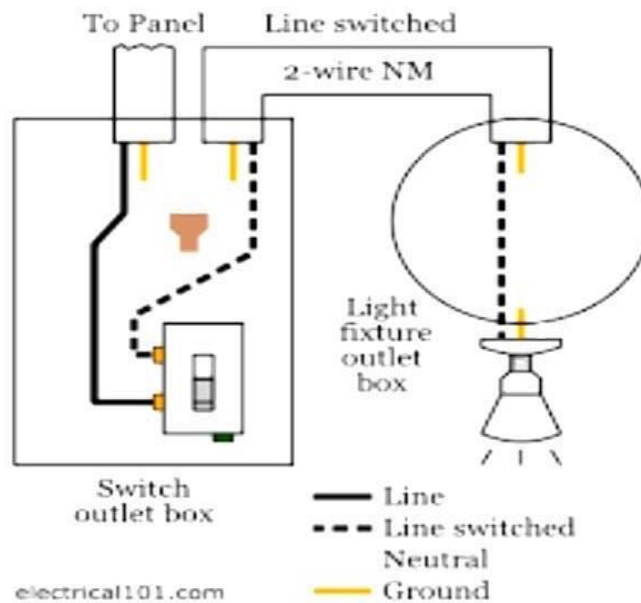
## PROBLEM STATEMENT

The home light is potentially the most sought after and basic point in a city that deals with the indoor during the faint hours and adds generally to the prosperity and success of the occupants. The total spent behind this is routinely disregarded anyway basic, it is colossal as a result of sodium seethe lights being utilized as its luminaires that eat up high power. The expense spent on the home light can be used for other improvement of the country. By and by a manual system is used where the shafts are lit during the dusk and put off when dawn. In the as of now existing structure the experts need to truly check for weaknesses in the home light or rather be indicated by a worker or a tenant of that area for ensured movement. This structure has a huge hindrance as it grows manual effort and the need of manual help.

**III. EXISTING SYSTEM**

A home light, light shaft, light post, home light, light norm, or light standard is a raised wellspring of light on the edge of a street or walkway.

It is utilized to enlighten the street side. The former times of lighting homes and streets is antiquated, with proof that numerous networks in the Ancient World urged residents to keep outside lights consuming the course of the evening for route and wellbeing. The soonest formal home lights worked as a metropolitan assistance were gas lights, which were hand lit by a team of individuals each evening. In the current framework we need to go that spot to turn on or switch off the light at each evening. When switch On the light, the light will sparkle with full brilliance from evening to morning. In the current framework we use HID lights like Sodium fume lights. Shrouded lights are High force release lights that devour more force and produce contamination like CO2 discharge.



**FIG NO: 1 EXISTING SYSTEM DIAGRAM**

In this framework an enormous extent of power can be squandered. On the off chance that the squandered power can be limited, we need to utilize this power for different applications. In the event that any issue because of nature or circuit disappointment the light won't gleam. The shortcoming happened territory individuals just send data to city specialist or ward serviceman physically. Something else, the ward servicemen can be straightforwardly seeing the blamed light at the hour of support. At that point just the blamed home light can be overhauled. It requires some investment to be adjusted. It relies on the data passed to the ward serviceman.

**IV. PROPOSED SYSTEM**

This paper provides a better solution for home light control and automation. The system consists of LDR, relays, microcontroller, Passive infrared sensor and some electronic components. A single system is capable of controlling few lights and it can also monitor the status of home light for that particular area. Here we use cost-effective ESP-12 Wi-Fi module.

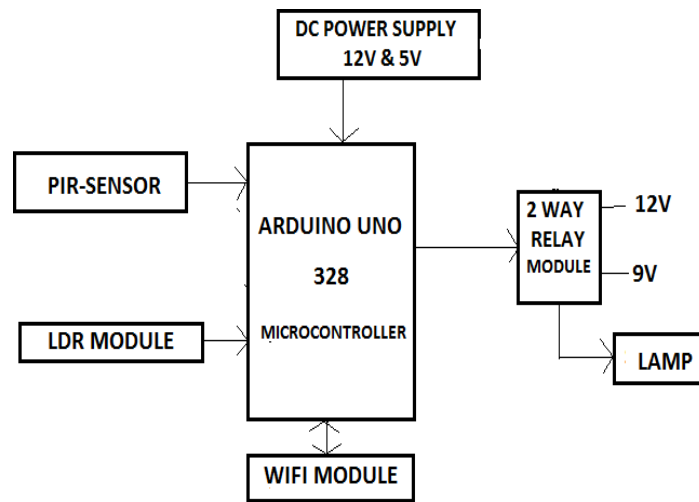


FIG NO: 2 BLOCK DIAGRAM OF PROPOSED SYSTEM

Arduino microcontroller is utilized to control the transfers and to bring the information from the sensors to the data set through Wi-Fi module. The whole framework can be observed and constrained by a focal framework through an IOT web interface. A focal information base is made to get information from all individual frameworks which can all the while control up too couple of lights.

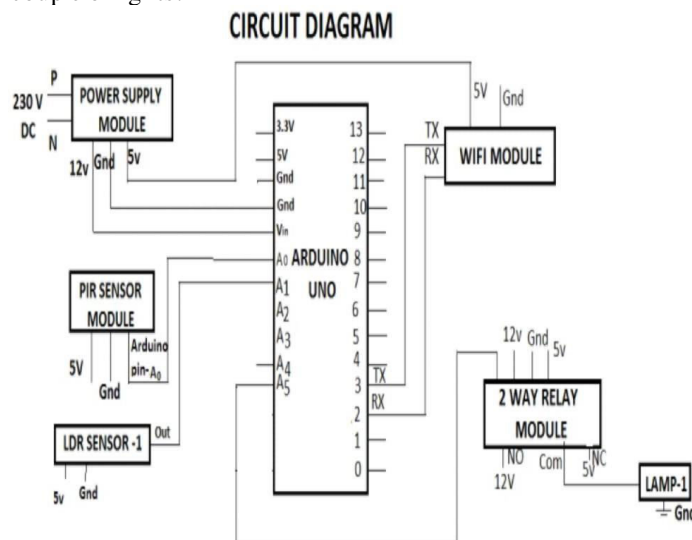


FIG NO: 3 CIRCUIT DIAGRAM OF PROPOSED SYSTEM

The regular Lamp is supplanted by savvy LED light innovation which devours low force and gives focused energy light and viably enlightens the encompassing. The Light Dependent Resistor (LDR) helps in controlling the force of LED lights.

The obstruction of LDR fluctuates as indicated by the measure of light falling on its surface. At the point when the LDR distinguishes light its obstruction will get diminished, subsequently on the off chance that it identifies murkiness its opposition will increment, Therefore focused energy light can be given during the needful conditions. Rest of the occasions the light force can be set to a low state which helps up the force saving and energy wastage. Detached infrared sensor is utilized to detect the encompassing precisely and gives a quick reaction. The entire framework is carried out with a Wi-Fi module, Arduino Nano Microcontroller, transfers, an IOT(HTML) page to control and get the situation with the lighting framework. At that point turning ON a square of home lights in front





individuals with focused energy. As a group cruises by, the following lights naturally. Consequently, we save a ton of energy. Thus, when there are no people groups on the expressway, at that point every one of the lights will stay faint.

**V. HARDWARE DESCRIPTION**

**5.1 ARDUINO -UNOR3:**

It is a microcontroller board dependent on the ATmega328. Arduino is an open-source, prototyping stage and its effortlessness makes it ideal for specialist or amateur to use just as experts. The Arduino Uno has 14 computerized input/output pins (of which 6 can be utilized as PWM yields), 6 simple data sources, a 16 MHz gem oscillator, a USB association, a force jack, an ICSP header, and a reset button. It contains all that expected to help the microcontroller; just interface it to a PC with a USB link or force it with AC-to-DC connector or battery to begin. The Arduino Uno R3 utilizes an ATmega16U2 rather than the 8U2 found on the Uno (or the FTDI found on past ages). This takes into consideration quicker exchange rates and more memory. No drivers required for Linux or Mac (in record for Windows is required and remembered for the Arduino IDE), and the capacity to have the Uno appear as a console, mouse, joystick, and so forth. All things considered; it includes the Atmega8U2 microcontroller chip modified as a USB-to-chronic converter. Arduino Uno R3It is a microcontroller board dependent on the ATmega328.

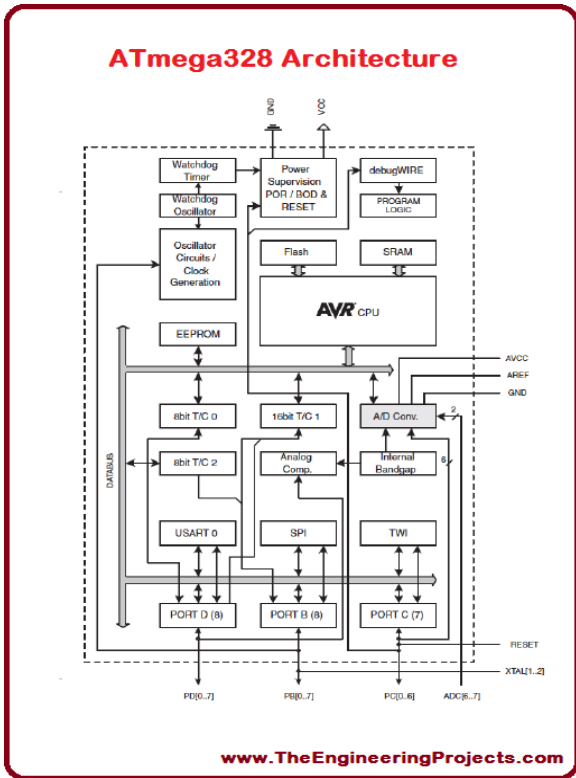


FIG NO: 4 DIAGRAMS OF ARCHITECTURE & ARDUINO UNO

**5.2 PIR SENSOR:**

It is a microcontroller board dependent on the ATmega328. Arduino is an open-source, prototyping stage and its effortlessness makes it ideal for specialist or amateur to use just as experts. The Arduino Uno has 14 advanced information/output pins (of which 6 can be utilized as PWM yields), 6 simple data sources, a 16 MHz gem oscillator, a USB association, a force jack, an ICSP header, and a reset button. It contains all that expected to help the microcontroller; basically, associate it to a PC with a USB link or force it with AC-to-DC connector or battery to begin. The Arduino Uno R3 utilizes an ATmega16U2 rather than the 8U2 found on the Uno (or the FTDI found on past ages). This takes into consideration quicker exchange rates and more memory. No drivers required for Linux or Mac (in document for Windows is required and remembered for the Arduino IDE), and the capacity to have the Uno appear as a console, mouse, joystick, and so forth The Arduino Uno varies from all previous sheets in that it doesn't utilize the



FTDI USB-to-chronic driver chip. All things considered; it includes the Atmega8U2 microcontroller chip modified as a USB-to-chronic converter. Arduino Uno R3It is a microcontroller board dependent on the ATmega328.

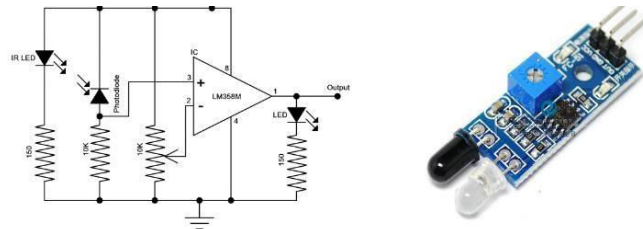


FIG NO: 5 DIAGRAM OF PIR SENSOR

**5.3 LIGHT DEPENDENT RESISTOR:**

LDRs or Light Dependent Resistors are valuable particularly in light/dim sensor circuits. Typically, the obstruction of a LDR is exceptionally high, some of the time as high as 1000000 ohms, however when they are enlightened with light opposition drops significantly. Electronic onto sensors are the gadgets that modify their electrical attributes, in the existences of obvious or imperceptible light. The most popular gadgets of this kind are the light reliant resistor (LDR), the photograph diode and the phototransistors. Light needy resistor as the name recommends relies upon light for the variety of opposition.

LDR are made by storing a film of cadmium sulfide or cadmium selenide on a substrate of fired containing no or not many free electrons when not enlightened. The more extended the strip the more the estimation of obstruction. At the point when light falls on the strip, the opposition diminishes. Without light, the opposition can be in the request for 10K ohm to 15K ohm and is known as the dull obstruction. The design is housed in a reasonable plastic or pitch case, to give free admittance to outer light. Useful LDRs are accessible in assortment of sizes and bundles styles, the most mainstream size having a face breadth of generally 10mm.

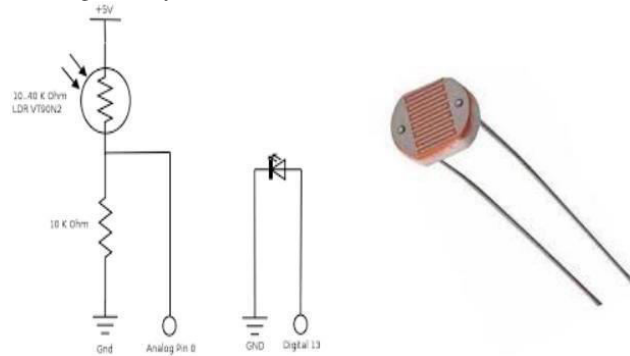


FIG NO: 6 DIAGRAM OF LDR

**5.4 LIGHT EMITTING DIODE:**

A light-emitting diode(LED) is a two-drives semiconductor light source. It is p-n intersection diode that produces light when actuated. The long terminal is positive and the short terminal is negative. At the point when a reasonable current is applied to the leads, electrons can recombine with electron openings inside the gadget, delivering energy as photons. This impact is called electro radiance, and the shade of the light (relating to the energy of the photon) is controlled by the energy band hole of the semiconductor. LEDs are commonly little (under 1mm<sup>2</sup>) and incorporated optical segments might be utilized to shape the radiation designed are adaptable semiconductor with various ascribes which make them ideal for most applications.

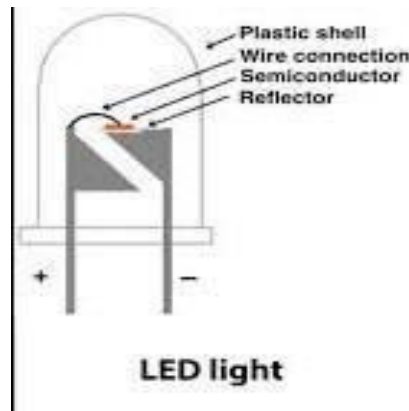


FIG NO: 7 DIAGRAM OF LED LIGHT

**5.5 ESP8266-01 WI-FIMODULE:**

The ESP8266 is a minimal effort Wi-Fi CPU, with a full TCP/IP stack and microcontroller capacity, created by Expressive Systems in Shanghai, China. The chip initially went to the consideration of Western producers in August 2014 with the ESP-01 module, made by an outsider maker Ai-Thinker. This little module permits microcontrollers to associate with a Wi-Fi organization and simplify TCP/IP associations utilizing Hayes-style orders. Notwithstanding, from the outset there was practically no English-language documentation on the chip and the orders it acknowledged. The ESP8285 is an ESP8266 with 1 MiB of implicit blaze, permitting the structure of single-chip gadgets equipped for associating with Wi-Fi. ESP8266 is Wi-Fi empowered framework on chip (SoC) module created by Espresso framework. It is for the most part utilized for advancement of IoT (Internet of Things) implanted application.

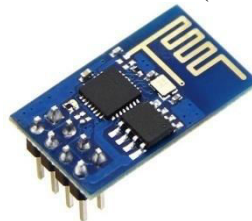


FIG NO: 7 DIAGRAM OF WIFI MODULE

**5.6 TWO-CHANNEL 5V RELAYMODULE:**

It is a transfer interface board; it very well may be controlled straight forwardly by a wide scope of microcontrollers like Arduino, AVR, PIC, ARM, etc. It utilizes a low-level set off control signal (3.3-5VDC) to control the transfer. Setting off the transfer works the typically open or regularly shut contacts. It is regularly utilized in a programmed control circuit. To lay it out plainly, it is a programmed change to control a high-current circuit with a low-current signal. 5V hand-off signal info voltage range. VCC capacity to the framework. JD-VCC hand-off in the force supply. JD-VCC and VCC can be a shorted.

**5.7 TRANSFORMER:**

Transformers are most generally utilized for expanding low AC voltages at high flow (a stage up transformer) or diminishing high AC voltages at low flow (a stage down transformer) in electric force applications, and for coupling the phases of sign handling circuits. Transformers can likewise be utilized for detachment, where the voltage in rises to the voltage out, with independent curls not electrically attached to each other.

**VI. SOFTWARE TOOLS**

The product utilized by the Arduino will be Arduino IDE. The Arduino IDE is a cross-stage application written in Java, and it is got from the IDE for the Processing programming language and used for Wiring various module. It is intended to acquaint programming with specialists and different novices new to programming advancement. It incorporates a code supervisor with highlights, for example, grammar featuring, support coordinating, and programmed space, and is



additionally equipped for gathering and transferring module to the board with a solitary snap. There is ordinarily no compelling reason to alter make records or run programs on an order line interface. The Arduino IDE accompanies a C/C++ library called "Wiring" (from the undertaking of a similar name), which makes numerous regular information/yields activities a lot simpler. Arduino programs are written in C/C++, despite the fact that clients just need characterize two capacities to make a runnable. The Arduino IDE (Integrated Development Environment) is utilized to compose the PC code and transfer this code to the actual board. The Arduino IDE is exceptionally basic and this effortlessness is presumably one of the principle reason Arduino turned out to be so mainstream. We can positively express that being viable with the Arduino IDE is presently one of the primary necessities for another microcontroller board. Throughout the long term, numerous valuable highlights have been added to the Arduino IDE and you would now be able to oversee outsider libraries and sheets from the IDE, and still keep the straightforwardness of programming the board. The principle window of the Arduino IDE is appeared beneath, with the straightforward Blink model.

**VII. WEB PAGE RESULT**



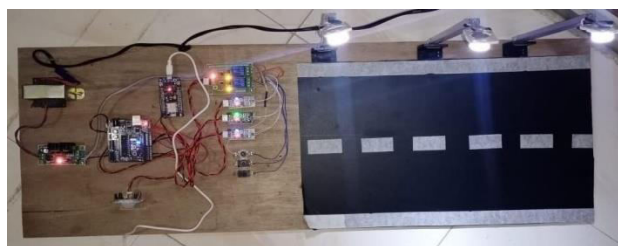
**FIG NO: 8 DIAGRAM OF WEB PAGE OUTPUT**

In this task we need to utilize 2 channels. Each channel has an ID. In this we make channel for home light control that ID is 16076. Then make another channel for store the light status that ID is 16077. Then we need to enter the channel ID and snap Load channel. At that point we can see the light 1 to light 4 control. Utilizing this we can ready to turn on lights through worker.



**FIG NO: 9 DIAGRAM OF WEB PAGE OUTPUT**

In this fig we can screen the light status. In the event that 1.00 coming the light is shine. On the off chance that 0.00 coming that implies light not gleam.



**FIG NO: 10 HARDWARE KIT DIAGRAM**





The Smart Home Light System proposes the establishment of the remote framework to distantly control and track the utilization of energy of the home lights. This assists take with appropriating measures and diminish energy utilization and utilizing power modelling and controlling.

#### VIII. CONCLUSION

IoT based programmed home light assists with envisioning the continuous updates of home light and informing the progressions happen. Additionally, help to check the situation with home light from anyplace to work utilizing IoT if there should arise an occurrence of any disappointment. On the off chance that light isn't Glowing, the sensor sends the worth to home light. From the proposed technique the general energy being used now-a-days for lighting can be limited.

The proposed task will wipe out this irregularity and improve proficiency and controllability of the lights that end up being a fundamental perspective for the prosperity and security of the people groups. A tremendous measure of energy can be saved by supplanting sodium fume lights by LED and adding an extra element for security purposes. It forestalls pointless wastage of power, because of manual exchanging of home lights. It gives a productive and shrewd programmed home light control framework with the assistance of LDR. It can decrease the energy utilization upkeep the expense.

#### REFERENCES

- [1] Xu Huaiyu; Su Ruidan; Jiang Linying; Jin Song “Wireless-LAN Based Distributed Digital Lighting System for Digital Home” IEEE, 2009.
- [2] Vaishali Gupta, Kritika Thakur, Rites Thakur, “Based Smart Street Lights” International Journal of Research (IJR), Volume 2, Issue 10, October 2011.
- [3] Jatha, W.Lydiapreethi, B. Gunasundari,” IOT Based Smart Led Street Lighting System” IJRTI | Volume 2, Issue 4 | ISSN: 2456-3315.
- [4] Naser Hossein Motlagh, “An IoT-based automation system for older homes: a use case for lighting system” IEEE 2018
- [5] Shreesh Mishra, Shivakant Gupta, Santosh Singh, Tripuresh Tiwari, Anand Mohan, “Arduino Based Led Street Light Auto Intensity Control System” International Journal of Advanced Research in Engineering, April-2016 Volume 3, Issue-4.
- [6] N. Wahy, “EEG based home lighting system” IEEE 2017
- [7] Sayali Arkade, Akshada Mohite, Rutuj, Vikas, “IoT Based Street Lights For Smart City” International Journal for Research in Applied Science & Engineering Technology (IJRASET), Volume 4 Issue XII, December 2016.
- [8] Samatha R Swamy, “Smart Home Lighting System” IEEE 2020



**INNO**  **SPACE**  
SJIF Scientific Journal Impact Factor

**Impact Factor:  
7.512**

**ISSN** INTERNATIONAL  
STANDARD  
SERIAL  
NUMBER  
**INDIA**



# INTERNATIONAL JOURNAL OF INNOVATIVE RESEARCH

IN SCIENCE | ENGINEERING | TECHNOLOGY

 **9940 572 462**  **6381 907 438**  **ijirset@gmail.com**



[www.ijirset.com](http://www.ijirset.com)

Scan to save the contact details