



e-ISSN: 2319-8753 | p-ISSN: 2320-6710

IJRSET

International Journal of Innovative Research in
SCIENCE | ENGINEERING | TECHNOLOGY

INTERNATIONAL JOURNAL OF INNOVATIVE RESEARCH

IN SCIENCE | ENGINEERING | TECHNOLOGY

Volume 11, Issue 5, May 2022

ISSN INTERNATIONAL
STANDARD
SERIAL
NUMBER
INDIA

Impact Factor: 8.118

9940 572 462

6381 907 438

ijirset@gmail.com

www.ijirset.com

Power Generation from Waste Heat by Thermo-Electric Generator

Akshay Pundkar, Pawan B. Ingle, Sumit B. Patkar, Shilvant D. Hatole, Kashyap P. Bodile

Asst. Professor, Department of Electrical Engineering, PRPCEM, Amravati, India

Department of Electrical Engineering, PRPCEM, Amravati, India

Department of Electrical Engineering, PRPCEM, Amravati, India

Department of Electrical Engineering, PRPCEM, Amravati, India

Department of Electrical Engineering, PRPCEM, Amravati, India

Department of Electrical Engineering, PRPCEM, Amravati, India

ABSTRACT: The increasingly worldwide problem regarding rapid economy development and a relative shortage of energy, the internal combustion engine exhaust waste heat and environmental pollution has been more emphasized heavily recently. Out of the total heat supplied to the engine in the form of fuel, approximately, 30 to 40% is converted into useful mechanical work. The remaining heat is expelled to the environment through exhaust gases and engine cooling systems, resulting in to entropy rise and serious environmental pollution, so it is required to utilized waste heat into useful work.

As waste heat recovering techniques, such as thermoelectric generator (TEG) is developed. Due to distinct benefits of Thermo-electric generators they have become a promising alternative green technology.

KEYWORDS: Power generation, seebeck effect, Thermo-electric generator, waste-heat, recovery, alternative green technology, direct energy conversion, thermal heat

I. INTRODUCTION

Recently we are depending upon fossil fuels for maximum electricity generation. However, the reserves of fossil fuels will be goes on depleting, since oil & gas are the least sources. Recent years cost of unit electricity has increasing to unpredictable levels due the less supply of (oil gas coal). Thus the green energies are more attractive artificial to electricity generation, as it will also provide pollution free and cost less.

In this project we are generating electrical power as non-conventional method by heat energy Non-conventional energy systems very essential at this time to our nation. In this project a mechanical arrangement is made. Use of embedded technology makes this system efficient and reliable. This invention relates to the Internal Combustion Engine. Among all research directions, waste heat recovery (WHR) is most concerned, due to the widespread existence and high accessibility of suitable resources. While there are a number of devices to fulfill WHR, thermoelectric generator (TEG) has been utilized in most automotive applications. A thermoelectric power generator is a solid s device waste heat energy into electrical energy. Conversion of thermal energy (heat) into electricity is based on “Seebeck effect” directly. Here there is charge movement in the media. Advantages of Thermoelectric power generators are extremely reliable (typically exceed 100,000 hours of steady-state operation) and silent in operation;

II. OBJECTIVES

The current research is focusing on a technology, which is able to convert the thermal energy contained in the exhaust gas directly into electric power. In this project concept it invented exhaust gas-based thermoelectric power generator for an industry application. In this the exhaust gas gases in the pipe provide the heat source to the thermoelectric power generator.



The key is to directly convert the heat energy from automotive waste heat to electrical energy using a thermoelectric generator. While the electric power generation by such a system is able to generate is still relatively small at a maximum of 10 W from a single TEG module, rapid progress in materials research can make the ambitious objective of generating higher watts by all means of feasible proposition.

III. LITERATURE SURVEY

Method for generating power such as burning of wood, petrol, diesel, coal, is continuously depleting with nature, so that exceeded usage of electricity according to the consumer demand. Global warming is the increase in the average measured temperature of the Earth's near surface air and Oceans since the mid-20th century, and its projected continuation.

Global surface temperature increased $0.74 \pm 0.18 \text{ }^\circ\text{C}$ ($1.33 \pm 0.32 \text{ }^\circ\text{F}$) during the Thomas Jon Seebeck (1934) invented that a temperature formed between two dissimilar conductors produces a voltage and current. At the heart of the thermoelectric generator effect is the fact that a temperature difference in a conducting material results in heat flow between one side to another side. There are different type of research on power generation from heat is present.

Jihad G. Haidar, Jamil I. Ghojel, “waste heat recovery from the exhaust of low- power Diesel engine using thermoelectric generators, 20TH international conference on thermoelectric (2001), p413-417, this shows how to recover waste heat and how to utilize waste heat from different industries.

Mariem SAIDA, Ghada ZAIBI, Mounir SAMET, Abdennaceur KACHOURI, A new design of thermoelectric generator for health monitoring, 2017 International Conference on Smart, Monitored and Controlled Cities (SM2C), Kerkennah, Tunisia, February, 17-19, 2017, p 59-63 , from this we analyses about thermoelectric generator and its specification.

IV. BLOCK DIAGRAM

This section gives the brief description of each component used in designing the waste heat to generate electricity By using this thermoelectric power generation (TEG) devices shown Whenever heating of one surface (waste heat example refrigerator outer surface heat, laptop heat, ion box heat, solar radiation heat, even human body heat) is also an input of thermo electric generator. When heat is applied one side there will be a continuous electron or holes will flow continuously based on the temperature of heat. If the temperature is increases the voltage is also increases vice versa in such a way that the other side of thermoelectric generator is cold because heat transform is uniform then only electron will flow and voltage is developed.

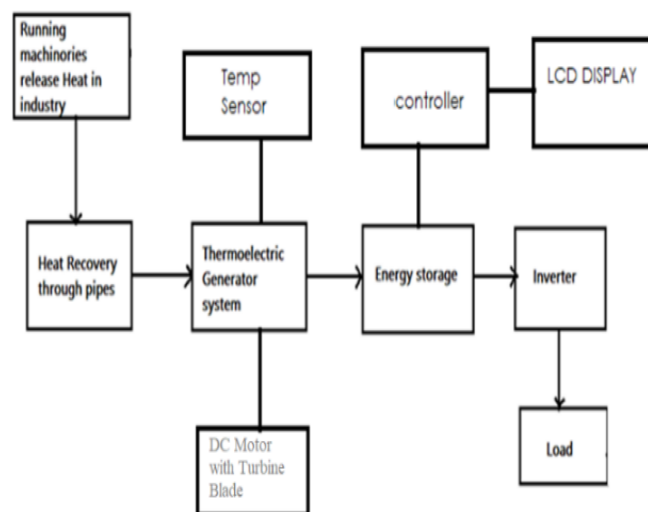
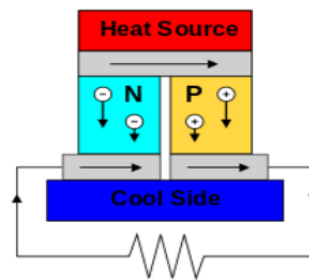


Fig.2- Block Diagram

4.1 Thermo-electric Generator

A thermoelectric generator (TEG) is an electric device that converts heat energy produced from a heat source directly into electrical energy. This phenomenon is called the Seebeck Effect, named after Thomas Johan Seebeck. Thermoelectric generators (TEG) are solid-state semiconductor devices that convert a temperature difference and heat flow into a useful DC power source. This generated voltage drives electrical current and produces useful power at a load.



Here the cool side represents a metallic surface that needs to be protected from corrosion. TEG's are capable of converting heat energy to electric current that can flow across the metal. A TEG has a sealed thermoelectric module called a thermopile and contains an array of semiconductors. The temperature difference across the thermopile creates a DC current, which flows across the cooler side (i.e., the metallic surface).

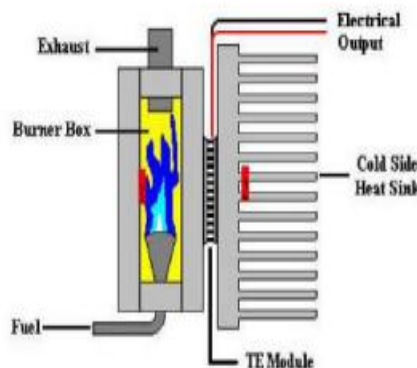


Fig.3 -Thermoelectric Generator

4.2 Temperature Sensor

A temperature sensor is a device that is designed to measure the degree of hotness or coolness in an object. The working of a temperature meter depends upon the voltage across the diode. The temperature change is directly proportional to the diode's resistance. The cooler the temperature, lesser will be the resistance, and vice-versa.

4.3 Heat Recovery pipes

Having first been invented near the turn of the 20th century, the heat pipe is not in itself a new invention. Early heat pipes were constructed out of hollow metal tubes that were sealed at both ends, vacuumed, and charged with a small quantity of evaporative fluid. They contained a "wick" to transport the fluid from one end of the heat pipe to the other.

4.4 DC Motor

A direct current (DC) motor is a type of electric machine that converts electrical energy into mechanical energy. DC motors take electrical power through direct current, and convert this energy into mechanical rotation

4.5 Inverter

An inverter is an electrical apparatus that changes direct current to alternating current. It is not the same thing as an alternator, which converts mechanical energy into alternating current. Direct current is created by devices such as batteries and solar panels. When connected, an inverter allows these devices to provide electrical power for small household devices

4.6 Seebeck Effect

The Seebeck effect is a phenomenon in which a temperature difference between two dissimilar electrical conductors or semiconductors produces a voltage difference between the two substances. When heat is applied to one of the two conductors or semiconductors, heated electrons flow toward the cooler conductor or semiconductor. If the pair is connected through an electrical circuit, direct current (DC) flows through that circuit. The Seebeck effect is a major observation in the study of physics.

V. PROJECT WORKING

Non-conventional energy using is converting mechanical energy into the electrical energy. Here in this project a power generation arrangement is made. Use of thermoelectric principle makes this system efficient and reliable. In vehicles engine continuously for their operation. It release large amount of heat. This is wastage heat. We utilized this wastage heat to produce electricity. When we apply TEG with Heat sink module to wastage heat through heat pipe executed from silencer. Then at the same time TEG starts converting Heat energy into Electrical energy.

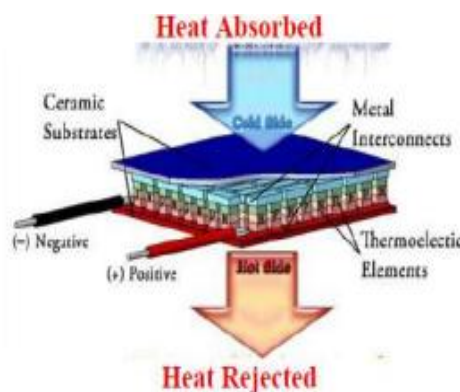


Fig.4 - Operating principle of thermo-electric module

We can measure this heat with the help of temperature sensor attached to the system. One DC fan is attached to system to indicate the flow and conversion of heat energy into Electrical energy. As the amount of temperature is increases, the flow of fan is also increases. Generated electrical energy is stored in battery. This stored energy is supply to inverter to convert DC to AC. At the output AC load is obtain. This AC load is utilized to run various loads in same industry like, fan, AC, light etc.

Start from wastage of heat dissipated through silencer in vehicles. Then conversion of heat into electricity and the indication of conversion electricity through DC fan and motor. Storage of electricity in battery. Conversion



of DC voltage to AC voltage with help of inverter. If such system utilized in all type of automobiles, the amount of wastage heat can be reduced and we can utilize it into electricity.

1. Design Calculations

Calculation for Voltage generated:-

From the equation of Seebeck effect,

$$V = \alpha (T_h - T_c)$$

Where, V – Voltage Generated in Volts

α – Seebeck coefficient in $\mu\text{V/K}$

T_h - temperature of hot surface (silencer) in Kelvin

T_c - temperature of cold surface (atmosphere) in Kelvin, $T_c = 303 \text{ K}$.

VI. RESULT

Benefits of 'waste heat recovery' can be broadly classified in two categories

7.1 Direct Benefits:

Recovery of waste heat has a direct effect on the combustion process efficiency. This is reflected by reduction in the utility consumption and process cost.

7.2 Indirect Benefits:

a) Reduction in pollution: A number of toxic combustible wastes such as carbon monoxide (CO), hydrocarbons (HC) and nitrogen oxides (NO_x), releasing to atmosphere.

b) Reduction in equipment sizes: Waste heat recovery reduces the fuel consumption, which leads to reduction in the flue gas produced.

c) Reduction in auxiliary energy consumption: Reduction in equipment sizes gives additional benefits in the form of reduction in auxiliary energy consumption.

VII. ADVANTAGES

- Clean, Noise less, Cost is less.
- This is a Non-conventional system, No fuel is required.
- Easy maintenance, portable, charging time is less (maximum temp).
- Promising technology for solving power crisis to an affordable extent.
- Simple in construction, Pollution free, Reduces transmission losses.

Disadvantages

- Improper variation of temperature gradient difference may damage the TEG, Complex design.

VIII. APPLICATIONS

- Thermoelectric Generators are basically used in where the power production is less.
- In many industries amount of heat is executed and been wastage
- In automobile vehicle produce heat that can be used for generating electricity by using TEG.
- Recharge the battery where ever waste heat is obtained.



IX. CONCLUSION

Waste heat recovery entails capturing and reusing the waste heat from machineries in industries and using it for generating electrical work. It would also help to recognize the improvement in performance and emissions of the machineries if these technologies were adopted by the production industries.

If this concept of thermoelectric system is taken to the practical level then there will be large amount of electricity can be generated, which will be used to run industrial load itself. Also large amount of wastage heat for pollution is also uses in this system in continue manner. And such industries also somehow help to protect the environmental pollution.

REFERENCES

- 1) Jihad G. Haidar, Jamil I. Ghajel, "waste heat recovery from the exhaust of low- power Diesel engine using thermoelectric generators, 20TH international conference on thermoelectric (2001), p413-417.
- 2) Ali Shakouri, Nanoscale Device for Solid State Refrigeration and Power Generation, 20th IEEE SEMITHERM Symposium.
- 3) T.J Zhu, Y.Q. Cao, F. Yan And X.B. Zhao, nanostructuring and Thermoelectric properties of Semiconductor Tellurides, 2007 International Conference on Thermoelectrics.
- 4) E.A. Hoffmann, H.A. Nilsson, N. Nakpathomkun, A.I.Persson, L. Samuelson, H. Linke Nanoscale thermoelectric Power Generation.
- 5) BhaskaranMuralidharan, Power-efficiency trade-off in nanoscale thermoelectric energy conversion, 2012 IEEE.
- 6) Mariem SAIDA, Ghada ZAIBI, Mounir SAMET, Abdennaceur KACHOURI, A new design of thermoelectric generator for health monitoring, 2017 International Conference on Smart, Monitored and Controlled Cities (SM2C), Kerkennah, Tunisia, February, 17-19, 2017, p 59-63.
- 7) Ahaad Hussein Alladeen, Shanshui Yang, Yazhu Liu, Feng Cao, Thermoelectric waste heat recovery with cooling system for low gradient temperature using power conditioning to supply 28V to a DC bus, 2017.



Impact Factor: 8.118



INTERNATIONAL JOURNAL OF INNOVATIVE RESEARCH

IN SCIENCE | ENGINEERING | TECHNOLOGY

 **9940 572 462**  **6381 907 438**  **ijirset@gmail.com**



www.ijirset.com

Scan to save the contact details