



e-ISSN: 2319-8753 | p-ISSN: 2347-6710

# IJRSET

International Journal of Innovative Research in  
**SCIENCE | ENGINEERING | TECHNOLOGY**

# INTERNATIONAL JOURNAL OF INNOVATIVE RESEARCH

IN SCIENCE | ENGINEERING | TECHNOLOGY

Volume 11, Issue 5, May 2022

**ISSN** INTERNATIONAL  
STANDARD  
SERIAL  
NUMBER  
INDIA

Impact Factor: 8.118

9940 572 462

6381 907 438

[ijirset@gmail.com](mailto:ijirset@gmail.com)

[www.ijirset.com](http://www.ijirset.com)

# IR Radar for Unauthorized Object Detection

Umesh Pardeshi<sup>1</sup>, Akshay Dabhade<sup>2</sup>, Prajwal Gotmare<sup>3</sup>, Avinash Tekwani<sup>4</sup>, Sakshi Bhabutkar<sup>5</sup>

U.G. Student, Department of Electronics and Telecommunication Engineering, P. R. Pote Patil Education & Welfare Trust's Group of Institutions, College of Engineering & Management, Amravati (M. S.) India<sup>1</sup>

**ABSTRACT:** The goal of this study is to show a Mini IR Radar for detecting unwanted objects utilizing an infrared sensor. Radar is a more exact definition of a system used for target object detection by delivering an infrared signal, receiving reflection from target objects inside its volume of coverage, and extracting information such as distance and angle.

The system can monitor a limited-range region and warn authorities using a buzzer and an LCD screen to monitor a PIC controller circuit that is attached to an IR sensor mounted on a stepper motor for detecting status.

When an item is identified, the radar system calculates the distance and angle and displays them on the LCD screen. After identifying that specific thing after a certain amount of time, the motor will continue to rotate until the next object is detected.

**KEYWORDS:** Object Detection, Microcontroller, IR Sensor, Servo Motor, LCD Display

## I. INTRODUCTION

To find both ground and air objects, radar IR radar is used here. The main thing has been to find and identify things that aren't allowed, like unapproved planes and cars in open-air situations. Often, military electronic frameworks are built to do things like wide-ranging surveillance, identify proof, recognize, and communicate with each other. Using radio waves, radar is a way to figure out where things are, how far they are from you, and how quickly they are moving. It can be used to tell the difference between planes, ships, spacecraft, guided rockets, engine vehicles, climatic changes, and landscapes, among other things. Radar sends out radio waves or microwaves that bounce off of things that are in their way. Before and during World War II, a few countries worked on radar in secret. Radio Discovery and Ranging was a name given to the acronym RADAR by the U.S. Navy in 1940 as an abbreviation for this.

Radar is used in a wide range of ways today, from air and ground traffic signaling to radar stargazing, air protection, and anti-missile systems. Marine radars can help tourists and other boats find their way to tourist spots, as well as check for external precipitation. Innovative radar frameworks use computerized signal preparation, AI, and are good at separating useful data from a lot of noise. RADAR Particles are electromagnetic frameworks that can be used to identify, locate, and sometimes even acknowledge target objects. They do this by sending electromagnetic signals, receiving echoes from target objects inside its area of combine, and extracting area and other data from the echoes signals. IR radar is a type of radar that can be used in cars. This type of heartbeat radar sends out short heartbeats to help filter. The goal of this appropriate is to make a working infrared radar framework that can be used to find nearby objects with a range of 180 degrees (10-80cm).

## II. LIERATURE SURVEY

This paper talks about the research that has been done to help radar systems find objects. Here, we only talk about a representative radar system. This will help you learn about radar's most important concepts more quickly and understand them better. In the real world, object detection can be used for many different things. Detecting objects is very important in places where humans and robots are not allowed.

To be able to detect objects in a wide area, you need a system that can look at things from many different angles. To solve the problem above, this research came up with a new way to find objects. It used an infrared sensor on a stepper motor that rotates 360 degrees to find things



### III. METHODOLOGY

RADAR stands for Radio Detection and Ranging System. It is an electronic system used to determine the location and distance of an object from where RADAR is located. It works by releasing energy from the atmosphere and monitoring the echo or signal displayed from objects. Works at UHF and microwave range.

The RADAR system usually consists of a transmitter that generates electrical signals emitted into the atmosphere. When this signal hits an object, it is displayed or re-burned in many places. This displayed signal or echo is detected by a radar antenna which it delivers to the receiver, where it is processed to obtain object location statistics.

The range is determined by calculating the time taken for the signal to move from RADAR to the direction and return. The target area is measured at an angle, from the echo side of the large amplitude signal, he points to it. To measure the width and location of moving objects, Doppler Effect is used.

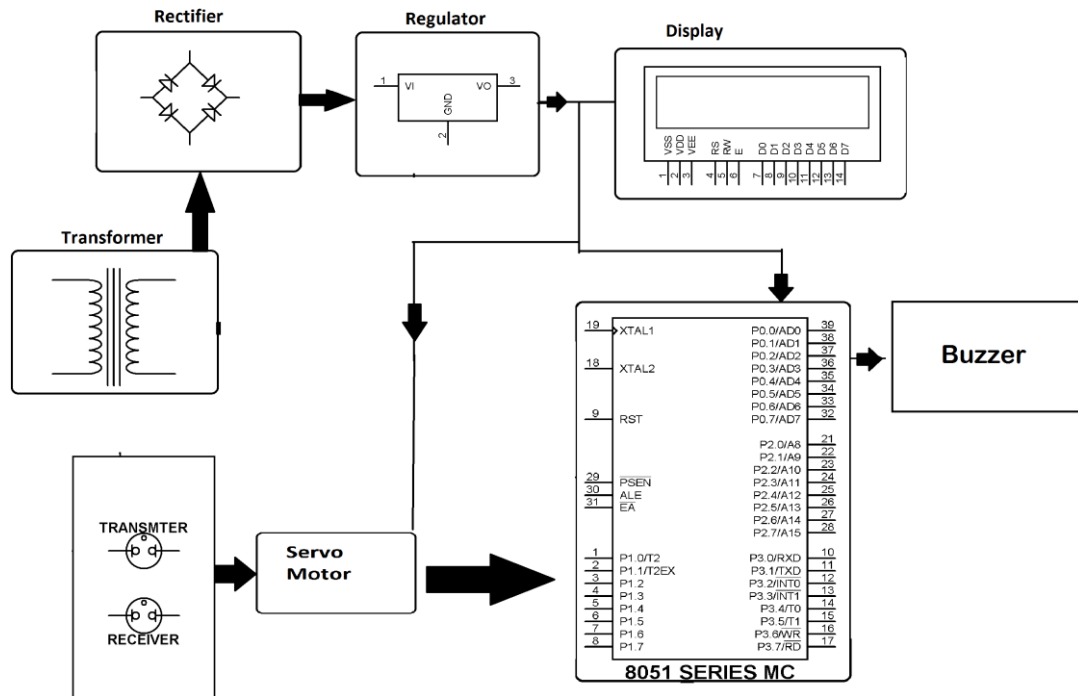
The Sharp IR Range Finder uses a method called triangulation to work. A pulse of light is sent out and then reflected back (wavelength range of 850nm +/- 70nm) (or not reflected at all). To figure out how much angle the light makes when it returns, you need to know how far away you are from what you are looking at. Triangulation works by figuring out the angle of the reflected beam. Once the angle is known, the distance can be worked out.

Based on the triangulation angle, the receiver in the IR range finder has a special lens that sends the reflected light to a linear CCD array inside. CCD array: The angle is then determined by this array. This allows the range finder to output an analogue value that your microcontroller can use to read the range finder. In addition, the Sharp IR Range Finder circuitry changes the frequency of the IR beam that is sent out.

The pulse-echo and phase measurement methods can be used to figure out how far away something is. The pulse-echo method can be used to figure out how far away something is. The IR sensor sends a signal to the object, receives an echo signal from the object, and then generates an output signal whose time period is proportional to the distance of the object, taking into account the speed of light and the frequency of the signals sent by the sensor. In addition, we used a stepper motor, which allows each step to rotate 10 degrees. This allows us to move around 360 degrees. Our system shows us the distance and angle of the target on the LCD screen as soon as we see it. The buzzer will go off after each time the target is found.

### IV. SYSTEM DESCRIPTION

Detecting objects with an infrared sensor is what the suggested method does. Infrared sensors are used a lot to find intermediate objects. Infrared sensors can be used to detect obstacles because they have great resolution at a low cost and can react quickly compared to other types of sensors, which can be slow. These sensors, on the other hand, have features that aren't linear and depend on the reflectance qualities of the objects they're looking at. .



As soon as the signal hits an object, the detector will get a reflection of the signal back to it from the object. Then, the detector will send out an analogue signal with the right voltage. The IR sensor is very easy to set up and use and easy to find. For people who have never used the IR sensor software before, it is easy to use. Programming for MC is complicated, but it's all inside the IR sensor, which makes it easy for anyone to pick up and work with. Consistent DC power flows to the circuit, which is divided into separate areas, like the LCD display, which will show yield after the item is identified, and the bell, which will show yield after the product is identified. A servo engine that moves in a circle at a steady 180-degree rate. The manufacturer will send out an infrared signal to help them figure out what the item is. When this sign touches the item, the identifier will see it. Then, the indicator will show a simple way to tell. The beneficiary is on the flexible end of the servo engine, and it sends the reflected signal to the MC. The MC cycle the signal and show the yield if the item is identified, using an LCD screen. If the item is recognised, the yield is shown, which means that the item has been identified.

### V. EXPERIMENTAL RESULTS

In the beginning, the Arduino has a 5V power source hooked up to it. Connect the infrared sensor to a microcontroller 8051, like the one shown here. Keep in mind that you need to get an IR sensor that can communicate with the Arduino through serial communication. There are two pins on the 8051 Microcontroller that are used for sequential communication: pins 0 (RD<sub>X</sub>) and 1 (TXD). We will use other pins for sequential communication. To write code for this project, we will use the library for products that follow each other in order. After that, connect the 16\*2 LCD modules to the 8051 Microcontroller and turn on the lights. Connect the buzzer to the 8051 Microcontroller at this point, and you're done. Then, connect the servo motor to start the triggering process. An infrared sensor picks up on something and sends out electromagnetic waves in the radio.

IR radar is a type of car radar that sends out IR signals to make it easier to scan with a very small range of IR radar system to find a target that is very close to you at an angle of 180 degrees. In the event that an object is found, a buzzer will sound and an LCD screen will say "Object Detected."





## VI. CONCLUSION

In this study, we look at ways to detect things that are cheap, low-power, and quick. A proof-of-concept system was built and worked well. The results are shown on the LCD screen. On the LCD screen, we added an object detection feature and a way to show how far away an object is..

## REFERENCES

1. <https://netmaxtech.com/why-pic-is-important/>
2. <https://embetronicx.com/tutorials/microcontrollers/pic16f877a/ir-sensor-interfacing-with-pic16f877a/>
3. <https://www.electronicshub.org/ir-sensor/>
4. <https://www.jameco.com/jameco/workshop/howitworks/how-servo-motors-work.html>
5. <https://components101.com/pic16f877a-pindiagram-description-features-datasheet> 6.  
<https://components101.com/stepper-motor-driveric-uln2003-pinout-datasheet>
6. <http://ethesis.nitrkl.ac.in/4836/1/211CS1049.pdf>
7. The IEEE Standard Dictionary of Electrical and Electronics Terms, IEEE std 100 – 1996.
8. <http://wearcam.org/seatsale/programs/www.beyondlogic.org./Serial/serial1.htm>.
9. <http://en.wikipedia.org/wiki/IRsensor>.
10. Skolnik, M., Introduction to Radar System, third edition, New York: MC Graw-Hill, 2001. 12. David K. Barton, Radar System Analysis and Modeling, Artech House, Boston, London, 2005.
11. DEVINE PETER (2000), radar level measurement, VEGA Controls Ltd, Kendal House, Victoria Way, Burgess Hill, West Sussex, RH 15 9NF England.
12. IEEE Standard Radar Definitions, IEEE Standard 686-I 990, New York: The Institute of Electrical and Electronic Engineers, 1993.



**INNO SPACE**  
SJIF Scientific Journal Impact Factor  
**Impact Factor: 8.118**



**ISSN** INTERNATIONAL  
STANDARD  
SERIAL  
NUMBER  
INDIA



# INTERNATIONAL JOURNAL OF INNOVATIVE RESEARCH

IN SCIENCE | ENGINEERING | TECHNOLOGY

 **9940 572 462**  **6381 907 438**  **ijirset@gmail.com**



[www.ijirset.com](http://www.ijirset.com)

Scan to save the contact details