



e-ISSN: 2319-8753 | p-ISSN: 2347-6710

IJRSET

International Journal of Innovative Research in
SCIENCE | ENGINEERING | TECHNOLOGY

INTERNATIONAL JOURNAL OF INNOVATIVE RESEARCH

IN SCIENCE | ENGINEERING | TECHNOLOGY

Volume 11, Issue 5, May 2022

ISSN INTERNATIONAL
STANDARD
SERIAL
NUMBER
INDIA

Impact Factor: 8.118

9940 572 462

6381 907 438

ijirset@gmail.com

www.ijirset.com



Cab Booking Application

Prof.N.K.Budhner, Aditya Jagtap, Gourav Divekar, Uzma Shaikh

Department of Computer Engineering, AISSMS Polytechnic Maharashtra, India

ABSTRACT: Nowadays in India driver booking system is getting very popular and Most of the people want an ease of travelling using drivers. Instead of asking for auto rickshaw and taxis. Since there are lots of applications available for driver booking. Our approach is to design a driver booking system using android based approach and also to maintain safety of passengers. In this project, we design and implement the intelligent android based driver system for serving passengers using local information. The implementation and analysis of proposed approach are carried out by using an android-based based system framework. Simulation results manifest that our approach is able to encounter the shortcomings of the existing system.

KEYWORDS: Android Application, Smartphone, Speed Monitoring, GCM, GPS.

INTRODUCTION

In last few years technology has been very much ahead in all fields. It plays vital role in human commerce. For human commerce there are many application and websites are available on internet which has made life easy. Likewise, there are many more applications provides a driver on demand to customer wherever he needs. For example, DriveU, Drive4U, Hire4drive: Car Drivers and Cabs, Swift partners, Hopp-on demand driver. These applications provide convenient and best service to customer but still some issues are there like existing system is not transparent with customer. In existing system some problems occur like finding location of customer, customer cannot trace the time and location of driver therefore customer has to face many problems. So we are going to upgrade or add some point in existing system which will help the customer to find driver in his own area. It will reduce time and minimize the location finding issues.

The system gives a customer an opportunity to book driver using an application in his mobile device. The client-side application allows the customer to book driver to the specified location. The customer can use the current GPS position or pinpoint a desired location on a map.

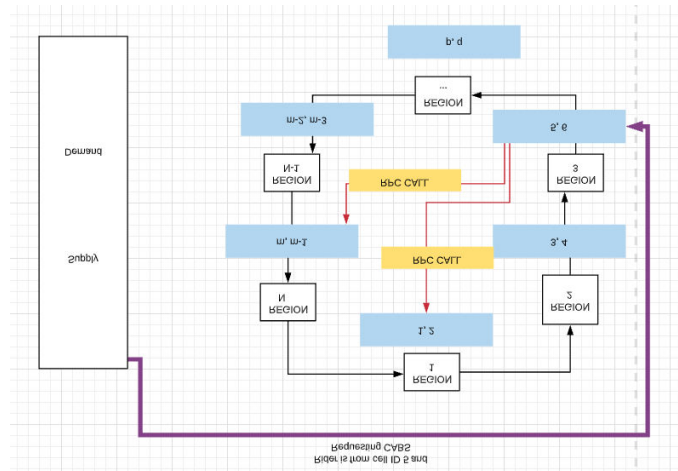
I. RELATED WORK

A behavioural-biometric-based authentication scheme in the context of on-demand ride and the rideshare services. The approach can be extremely useful to verify drivers remotely. This scheme can be extended to verify the intended riders as well the scheme is unobtrusive as verification is performed in the background and is invisible to the driver. The scheme has shown resistance to mimicry attacks as the invisible person-specific behavioural modalities. Owing to space limitations, they will report the detailed methodology and the results of an extended empirical evaluation in a future paper. they will also explore the impact of its extension in terms of more modalities and they will evaluate them in terms of their accuracy, performance, and usability.

Our purpose is to develop and design an android application system that will be more secure and it will be more user friendly. As it is android based system it can be consider as very powerful system to search drivers with easy to understand user interface. Our system will be more secure and it will be more user friendly. It also provides a way to manage driver data and to watch over them and their activities. It is android based system consider as very powerful system to search drivers.

II. METHODOLOGY

Consumers will be able to order a cab based on their requirements by logging on to the projected. Online Cab Booking project website. Customers may book taxis online, make changes to their arrangement, and cancel them at any time. Users will be notified of the driver's location and phone number, which will allow them to contact him. On a frequent basis, the customer is updated on their bookings, driver details, and booking status. The user can also make suggestions or ask questions in the feedback box.



Advantage:

- It increases the efficiency of the system in offering high-quality services to its customers. They may order taxis from the convenience of their own homes or companies, which is handy for them.
- It's incredibly secure since only logged-in users may book a cab, preventing attackers from viewing sensitive data.
- The user can rent a car by making an online reservation.
- Users will be able to obtain the services they require under the new system.
- The user may rent a car online and look up the driver's details

III. FUTURE SCOPE

Proposed system tracks the location and speed of car. Also maintains the driver’s database and keep track of customers feedback. It gives the conditional offers to the driver as well as customer. Our system will mainly focus on booking driver and providing safety to our customers. It uses Google maps, sensor and web services to implement our objectives. Sensors are used to detect the driving patterns of driver in order to evaluate driver’s rating.

IV. CONCLUSION

Proposed android application will be easy to customer for hire a driver. Customer can book the driver as per their requirement and get the driver details with acknowledgement to/from the driver online thereby saving time and money. Customers can use an online booking system to rent cabs. Customers may use this online system to browse available taxis, view profiles, and book cabs. Taxi booking is a typical kind of transportation that is offered by a number of different transportation firms in a particular city. The bulk of people rely on taxi services for their daily transportation needs. The company must be registered and fulfil all of the transportation department's requirements and security requirements. This paper demonstrates an effective taxi booking system. This project included a wide variety of topics, from corporate principles to computer science, and required the completion of a number of courses in order to reach the deadline.

REFERENCES

1. B. Oluwafemi, Uber Lagos Is Slashing Uber X Pricing By Up To 25 Percent [Online], Available from: <http://techcabal.com/2015/05/01/uberlagos-is-slashing-uber-x-pricingby-up-to-25-percent/> Date accessed: 25th August, 2015.
2. S. Wakoba, Nigeria’s TaxiPark Founders To Launch Tranzitng To Take On Rocket Internet’s EasyTaxi [Online], TechMoran, Available at: <http://techmoran.com/nigeriastaxipark-founders-to-launch-tranzit-ng-totake-on-rocket-internetseasytaxi/#sthash.rUGTySGA.dpuf> Date accessed: 25th August, 2015.



3. Techloy, Android Is Officially The Most Widely Used Mobile OS In Nigeria [STATS] [Online], Available from: <http://techloy.com/2014/09/27/android-is-officially-the-mostwidely-used-mobile-os-in-nigeria-stats/> Date accessed: 12th October, 2015
4. G. Porter, Transport planning in sub-Saharan Africa, Progress in development studies., vol. 7, pp. 251-257, 2007.
5. J. Kujenya, How technology boosts enterprise [Online], The Nation, Available from: <http://thenationonlineng.net/how-technology-boostsenterprise/> Date accessed: 25th August, 2015.
6. G. Porter, Mobility constraints and their implications for rural women and girls in subSaharan Africa, Gender, place and culture, vol. 18, pp. 65-81, 2011.
7. G. Porter, K. Blaufuss, and F. Owusu Acheampong, Youth, mobility and rural livelihoods in sub-Saharan Africa: perspectives from Ghana and Nigeria. Africa insight., vol. 37, pp. 420-431, 2007.
8. J. C. Aker, and I. M. Mbiti, Mobile phones and economic development in Africa, Center for Global Development Working Paper, (211), 2010.
9. G. Porter, Mobile phones, livelihoods and the poor in Sub - Saharan Africa: Review and prospect. Geography Compass, vol. 6, pp. 241-259, 2012.
10. R. Sietchiping, M. J. Permezel, and C. Ngoms, Transport and mobility in sub-Saharan African cities: An overview of practices, lessons and options for improvements. Cities, vol. 29, pp. 183-189, 2012.



INNO SPACE
SJIF Scientific Journal Impact Factor
Impact Factor: 8.118



ISSN INTERNATIONAL
STANDARD
SERIAL
NUMBER
INDIA



INTERNATIONAL JOURNAL OF INNOVATIVE RESEARCH

IN SCIENCE | ENGINEERING | TECHNOLOGY

 **9940 572 462**  **6381 907 438**  **ijirset@gmail.com**



www.ijirset.com

Scan to save the contact details