



e-ISSN: 2319-8753 | p-ISSN: 2347-6710

IJRSET

International Journal of Innovative Research in
SCIENCE | ENGINEERING | TECHNOLOGY

INTERNATIONAL JOURNAL OF INNOVATIVE RESEARCH

IN SCIENCE | ENGINEERING | TECHNOLOGY

Volume 12, Issue 13, April 2023

ISSN INTERNATIONAL
STANDARD
SERIAL
NUMBER
INDIA

9940 572 462

6381 907 438

ijirset@gmail.com

www.ijirset.com

Smart Flow Control and Monitoring System for ICU Patients

K. Naresh kumar¹, Navya Sree V², Moulika G³, Sandhiya M⁴

Department of Biomedical Engineering, GRTIET, Tiruttani, Tamilnadu, India^{1,2,3,4}.

ABSTRACT: It is known that the technological advancements are increasing at a faster pace. But the utilization of these technologies are very low in various sectors. It is known that the technology in medical industries is gradually increasing. But various sectors in medical industries needs manual operations like glucose level control, patient monitoring etc. So we propose a system where the glucose control level is operated with the help of technology. We here utilize a controlling system using WSN and also with keypad.

KEYWORDS: Health care, IV Infusion, sensors for therapeutic treatments, drop rate monitoring, bio medical monitoring, deep learning.

I. INTRODUCTION

Even though many advanced automatic devices are used, ensuring the safety of the patient during treatment period is still a challenging issue. To notify the hospital staff about the level of glucose in glucose bottle, that is being injected through the patient's vein. This automation eliminates the manual need to monitor the level of glucose in the bottle. Now-a-days, the nurses still use the manual method to give medicine to the patients, they will go to the the patient's bed for three times per day and give the medicine to the patients. By using this method, the nurse will waste the time because they should go the patient's ward one by one. So our system very useful for patient glucose bottle monitoring process.

III.METHODOLOGY

In this paper, the usage of deep learning-based computer vision techniques is explored for the purpose of real-time monitoring of the flow rate in IV drip infusions. This work develops the idea illustrated in [18], i.e. to use a camera to film the drip chamber and analyze the acquired video to detect and count drops, thus obtaining a measurerset of the flow rate of the fluid being administered. In [18], a general-purpose object detection neural network was used to process the videos of the drip chamber. The main improvement of this paper is the introduction of a novel neural network that was specifically designed for this application, and is therefore more performant and efficient than the one used in [18]. An objective comparison between the performance of the novel system and the one described in [18] is presented in Subsection III.A. Cameras are nowadays quite unexpensive devices, easily connected over internet, and therefore very suitable for implementing a centralized monitoring of many IV infusions. The usage of wireless networks to efficiently transmit the images acquired by the camera, that would make the system flexible and easily installable in pre-existent health facilities, is certainly possible considering the recent advances in research in this field [19], [20]. There are other advantages in using cameras: they, cannot contaminate the administered fluid (i.e. they are safe by design for medical usage) and do not require other operations beyond the initial installation, so the daily routines of nurses do not undergo any changes as well as any change is imposed to the available IV drip infusion kits. The proposed device falls into a category of sensors for healthcare that can improve the safety and quality of therapeutic treatments administered to patients. In a typical scenario, the proposed device is installed in each patient's room and sends. data to a remote monitoring location, that can be the nurses station of the hospital. Another possible application is in telemedicine programs, where the device can be used to monitor at their homes. In this case, the camera can serve two purposes: check whether the IV drip infusion is working correctly, but also monitor the patient from a remote location. e.g. the hospital where they are being treated.



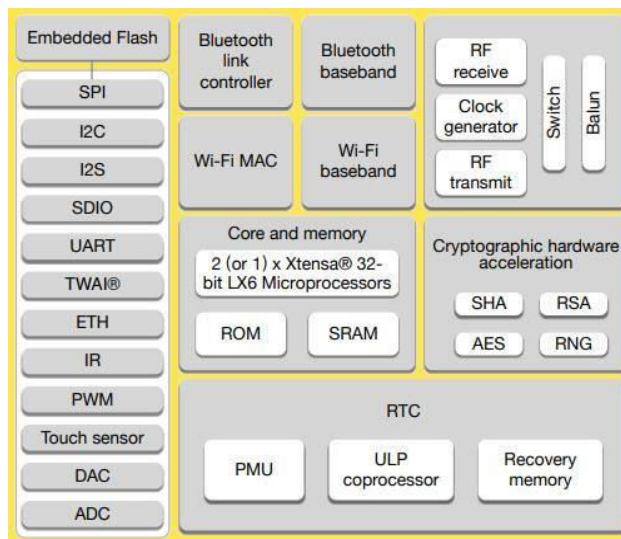
Organized by

Dhaanish Ahmed Institute of Technology, KG chavadi, Coimbatore, India

III. CONTROL SYSTEM

HARDWARE REQUIREMENT MICRO CONTROLLER-ESP32

ESP32 is a low-cost System on Chip (SoC) Microcontroller from Espressif Systems, the developers of the famous ESP8266 SoC. It is a successor to ESP8266 SoC and comes in both single-core and dual-core variations of the Tensilica’s 32-bit Xtensa LX6 Microprocessor with integrated Wi-Fi and Bluetooth. The good thing about ESP32, like ESP8266 is its integrated RF components like Power Amplifier, Low-Noise Receive Amplifier, Antenna Switch, Filters and RF Balun. This makes designing hardware around ESP32 very easy as you require very few external components.



Another important thing to know about ESP32 is that it is manufactured using TSMC’s ultra-low-power 40 nm technology. So, designing battery operated applications like wearables, audio equipment, baby monitors, smart watches, etc., using ESP32 should be very easy. ESP32 is a series of low-cost, low-power system on a chip microcontrollers with integrated Wi-Fi and dual-mode Bluetooth. The ESP32 series employs either a Tensilica Xtensa LX6 microprocessor in both dual-core and single-core variations, Xtensa LX7 dual-core microprocessor and a single-core RISC-V microprocessor and includes built-in antenna switches, RF balun, power amplifier, low-noise receive amplifier, filters, and power-management modules. ESP32 is created and developed by Espressif Systems, a Shanghai-based Chinese company, and is manufactured by TSMC using their 40 nm process.



POWER SUPPLY

The ac voltage, typically 220V rms, is connected to a transformer, which steps that ac voltage down to the level of the desired dc output. A diode rectifier then provides a full-wave rectified voltage that is initially filtered by a simple capacitor filter to produce a dc voltage. This resulting dc voltage usually has some ripple or ac voltage variation. A regulator circuit removes the ripples and also remains the same dc value even if the input dc voltage varies, or the load connected to the output dc voltage changes. This voltage regulation is usually obtained using one of the popular voltage regulator IC units.



Organized by

Dhaanish Ahmed Institute of Technology, KG chavadi, Coimbatore, India

Transformer

The potential transformer will step down the power supply voltage (0-230V) to (0-6V) level. Then the secondary of the potential transformer will be connected to the precision rectifier, which is constructed with the help of op-amp. The advantages of using precision rectifier are it will give peak voltage output as DC, rest of the circuits will give only RMS output.

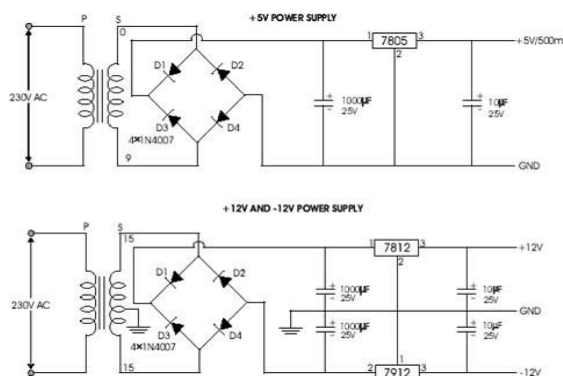
Bridge rectifier

When four diodes are connected as shown in figure, the circuit is called as bridge rectifier. The input to the circuit is applied to the diagonally opposite corners of the network, and the output is taken from the remaining two corners. Let us assume that the transformer is working properly and there is a positive potential, at point A and a negative potential at point B. The positive potential at point A will forward bias D3 and reverse bias D4. The negative potential at point B will forward bias D1 and reverse bias D2. At this time D3 and D1 are forward biased and will allow current flow to pass through them; D4 and D2 are reverse biased and will block current flow the path for current flow is from point B through D1, up through RL, through D3, through the secondary of the transformer back to point B. This path is indicated by the solid arrows. Waveforms (1) and can be observed across D1 and D3.

One-half cycle later the polarity across the secondary of the transformer reverse, forward biasing D2 and D4 and reverse biasing D1 and D3. Current flow will now be from point A through D4, up through RL, through D2, through the secondary of T1, and back to point A. This path is indicated by the broken arrows. Waveforms (3) and (4) can be observed across D2 and D4. The current flow through RL is always in the same direction. In flowing through RL this current develops a voltage corresponding to that shown waveform (5). Since current flows through the load (RL) during both half cycles of the applied voltage, this bridge rectifier is a full-wave rectifier. One advantage of a bridge rectifier over a conventional full-wave rectifier is that with a given transformer the bridge rectifier produces a voltage output that is nearly twice that of the conventional full-wave circuit. This may be shown by assigning values to some of the components shown in views A and B. assume that the same transformer is used in both circuits. The peak voltage developed between points X and y is 1000 volts in both circuits. In the conventional full-wave circuit shown—in view A, the peak voltage from the center tap to either X or Y is 500 volts. Since only one diode can conduct at any instant, the maximum voltage that can be rectified at any instant is 500 volts. The maximum voltage that appears across the load resistor is nearly-but never exceeds-500 volts, as result of the small voltage drop across the diode. In the bridge rectifier shown in view B, the maximum voltage that can be rectified is the full secondary voltage, which is 1000 volts. Therefore, the peak output voltage across the load resistor is nearly 1000 volts. With both circuits using the same transformer, the bridge rectifier circuit produces a higher output voltage than the conventional full-wave rectifier circuit.

IC voltage regulators

Voltage regulators comprise a class of widely used ICs. Regulator IC units contain the circuitry for reference source, comparator amplifier, control device, and overload protection all in a single IC. IC units provide regulation of either a fixed positive voltage, a fixed negative voltage, or an adjustably set voltage. The regulators can be selected for operation with load currents from hundreds of milli amperes to tens of amperes, corresponding to power ratings from milli watts to tens of watts.



Circuit Diagram of Power Supply



Organized by

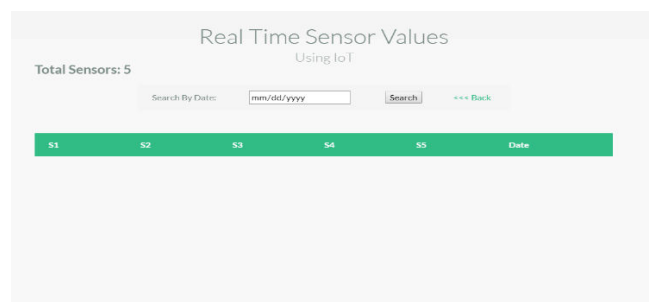
Dhaanish Ahmed Institute of Technology, KG chavadi, Coimbatore, India

16x2 LCD

LCD stands for liquid crystal display. They come in many sizes 8x1 , 8x2 , 10x2 , 16x1 , 16x2 , 16x4 , 20x2, 20x4 ,24x2 , 30x2 , 32x2 , 40x2 etc . Many multinational companies like Philips Hitachi Panasonic make their own special kind of LCD'S to be used in their products. All the LCD'S performs the same functions (display characters numbers special characters ASCII characters etc).Their programming is also same and they all have same 14 pins (0-13) or 16 pins (0 to 15). Alphanumeric displays are used in a wide range of applications, including palmtop computers, word processors, photocopiers, point of sale terminals, medical instruments, cellular phones, etc. This is an LCD Display designed for E-blocks. It is a 16 character, 2-line alphanumeric LCD display connected to a single 9-way D-type connector. This allows the device to be connected to most E-Block I/O ports. The LCD display requires data in a serial format, which is detailed in the user guide below. The display also requires a 5V power supply. Please take care not to exceed 5V, as this will cause damage to the device. The 5V is best generated from the E-blocks Multi programmer or a 5V fixed regulated power supply. The 16 x 2 intelligent alphanumeric dot matrix displays is capable of displaying 224 different characters and symbols. A full list of the characters and symbols is printed on pages 7/8 (note these symbols can vary between brand of LCD used). This booklet provides all the technical specifications for connecting the unit, which requires asingle power supply (+5V).



II. WEB SERVER



Espresso's ESP32EX delivers highly integrated Wi-Fi SoC solution to meet users' continuous demands for efficient power usage, compact design and reliable performance in the Internet of Things industry. With the complete and self-contained Wi-Fi networking capabilities, ESP32EX can perform either as a standalone application or as the slave to a host MCU. When ESP2EX hosts the application, it promptly boots up from the flash. The integrated high speed cache helps to increase the system performance and optimize the system memory. Also, ESP32EX can be applied to any microcontroller design as a Wi-Fi adaptor through SPI / SDIO or I2C / UART interfaces. ESP32EX integrates antenna switches, RF balun, power amplifier, low noise receive amplifier, filters and power management modules.

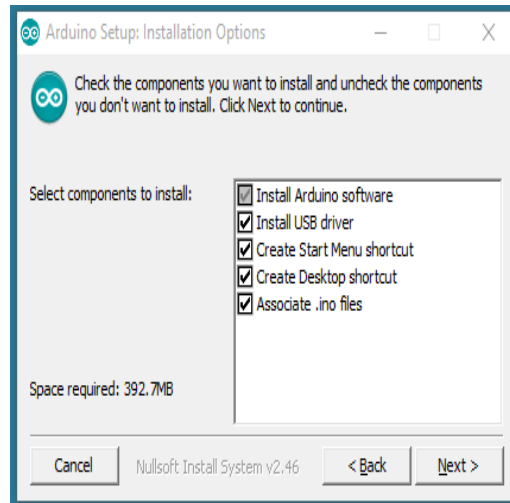
The compact design minimizes the PCB size and requires minimal external circuitries. Besides the Wi-Fi functionalities, ESP32EX also integrates an enhanced version of Tensilica's L106 Diamond series 32-bit processor and on-chip SRAM. It can be interfaced with external sensors and other devices through the GPIOs. Software Development Kit (SDK) provides sample codes for various applications. Espressif Systems' Smart Connectivity



Organized by

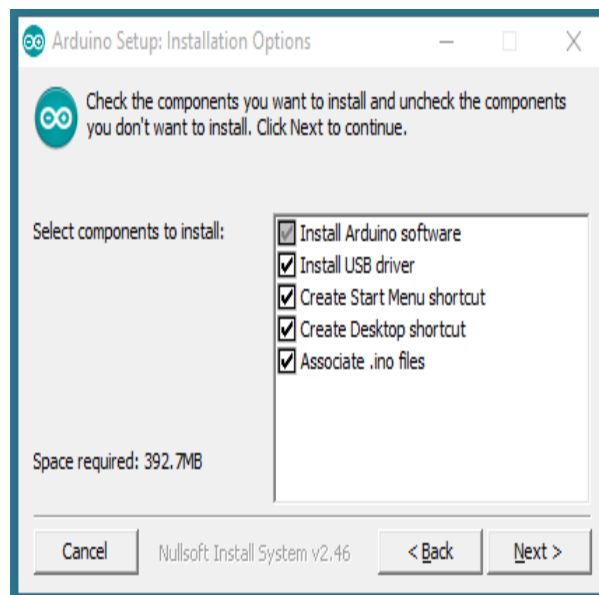
Dhaanish Ahmed Institute of Technology, KG chavadi, Coimbatore, India

Platform (ESCP) enables sophisticated features including fast switch between sleep and wakeup mode for energy-efficient purpose, adaptive radio biasing for low-power operation, advance signal processing, spur cancellation and radio co-existence mechanisms for common cellular, Bluetooth, DDR, LVDS, LCD interference mitigation.

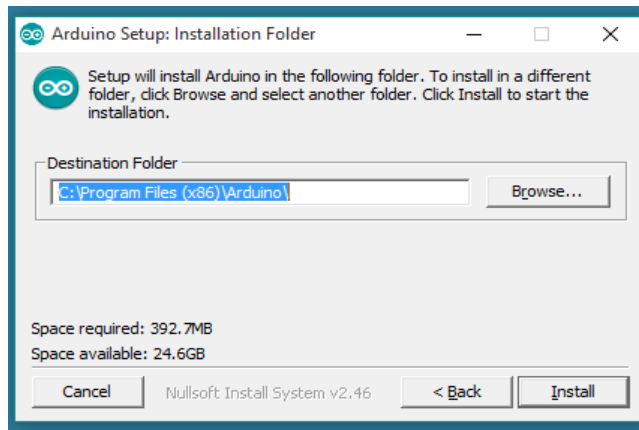


Concepts Involved Arduino Software (IDE)

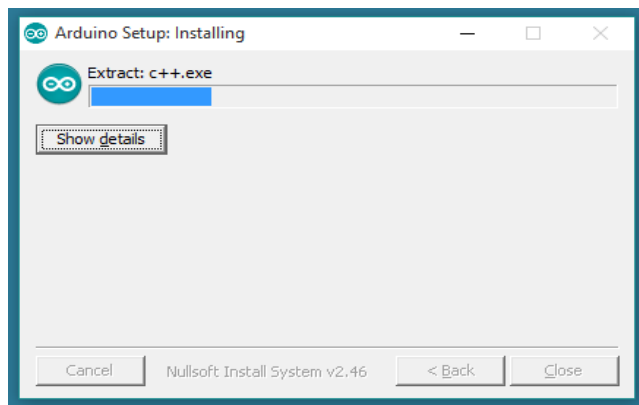
Get the latest version from the download page. You can choose between the Installer (.exe) and the Zip packages. We suggest you use the first one that installs directly everything you need to use the Arduino Software (IDE), including the drivers. With the Zip package you need to install the drivers manually. The Zip file is also useful if you want to create a portable installation. When the download finishes, proceed with the installation and please allow the driver installation process when you get a warning from the operating system.



Choose the components to install



Choose the installation directory (we suggest to keep the default one)



The process will extract and install all the required files to execute properly the Arduino Software (IDE)

Arduino Boot loader Issue

The current boot loader burned onto the Arduino UNO is not compatible with ROBOTC. In its current form, you will be able to download the ROBOTC Firmware to the Arduino UNO, but you will not be able to download any user programs. The reason for this is because there is a bug in the Arduino UNO firmware that does not allow flash write commands to start at anywhere but the beginning of flash memory (0x000000). See the bottom of this page for more technical details. Because ROBOTC is not able to burn a new bootloader as of today, you will need to use the Arduino's Open-Source language with a modified bootloader file to re-burn your bootloader on your Arduino UNO boards. The enhanced bootloader is backwards compatible with the original one. That means you'll still be able to program it through the Arduino programming environment as before, in addition to ROBOTC for Arduino.

Hardware Needed

To burn a new version of the Arduino boot loader to your UNO, you'll need an AVR ISP Compatible downloader.

Using an AVR ISP (In System Programmer)

- Your Arduino UNO (to program)
- An AVR Programmer such as the AVR Pocket Programmer
- An AVR Programming Cable (the pocket programmer comes with one)

Organized by

Dhaanish Ahmed Institute of Technology, KG chavadi, Coimbatore, India

- If you have extra Arduino boards, but no ISP programmer, SparkFun.com has a cool tutorial on how to flash a bootloader using an Arduino as an ISP.

Using another Arduino as an ISP

- Your Arduino UNO (to program)
- A Working Arduino (does not matter what kind)
- Some Male-to-Male Jumper Cables

For instructions on this method, take a look at the SparkFun.com website:
<http://www.sparkfun.com/tutorials/247>

Software Needed

ROBOTC is not currently able to burn a bootloader onto an Arduino board, so you'll need to download a copy of the latest version of the Arduino Open-Source programming language.

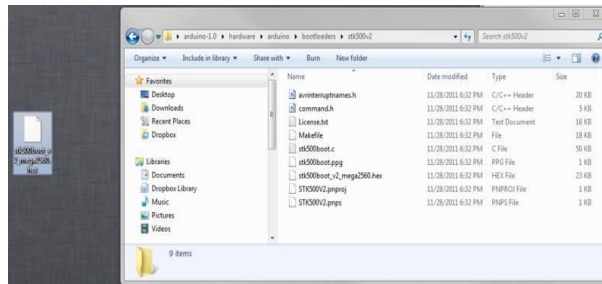
- Arduino Official Programming Language -Download Page

In addition, you will need the ROBOTC modified bootloader. You can download that here:

- ROBOTC Modified UNO Bootloader -Modified Bootloader

Bootload Download Instructions

- Download the Arduino Open Source Software and a copy of the Modified Bootloader File
- Copy the Modified Bootloader File into the /Arduino-1.0/hardware/arduino/bootloaders/stk500v2/ and overwrite the existing bootloader.



- Power up your Arduino UNO (either via USB or external power)
- Plug in your AVR ISP Programmer to your computer (make sure you have any required drivers installed)
- Connect your AVR ISP Programmer into your Arduino UNO Board via the ISP Header (the 2x3 header pins right above the Arduino Logo)
- Launch the Arduino Open-Source Software
- Change your settings in the Arduino Software to look for an Arduino UNO
- Change your settings in the Arduino Software to select your ISP Programmer Type (Check your programmer's documentation for the exact model)
- Select the "Burn Bootloader" option under the "Tools" menu. The modified bootloader will now be sent to your Arduino. This typically takes a minute or so.
- You should be all set to download ROBOTC firmware and start using your Arduino UNO with ROBOTC.

EMBEDDED C

High-level language programming has long been in use for embedded-systems development. However, assembly programming still prevails, particularly for digital-signal processor (DSP) based systems. DSPs are often programmed

in assembly language by programmers who know the processor architecture inside out. The key motivation for this practice is performance, despite the disadvantages of assembly programming when compared to high-level language programming.

If the video decoding takes 80 percent of the CPU-cycle budget instead of 90 percent, for instance, there are twice as many cycles available for audio processing. This coupling of performance to end-user features is characteristic of many of the real-time applications in which DSP processors are applied. DSPs have a highly specialized architecture to achieve the performance requirements for signal processing applications within the limits of cost and power consumption set for consumer applications. Unlike a conventional Load-Store (RISC) architecture, DSPs have a data path with memory-access units that directly feed into the arithmetic units. Address registers are taken out of the general-purpose register file and placed next to the memory units in a separate register file.

A further specialization of the data path is the coupling of multiplication and addition to form a single cycle Multiply-accumulate unit (MAC). It is combined with special-purpose accumulator registers, which are separate from the general-purpose registers. Data memory is segmented and placed close to the MAC to achieve the high bandwidths required to keep up with the streamlined data path. Limits are often placed on the extent of memory-addressing operations. The localization of resources in the data path saves many data movements that typically take place in a Load-Store architecture.

The most important, common arithmetic extension to DSP architectures is the handling of saturated fixed-point operations by the arithmetic unit. Fixed-point arithmetic can be implemented with little additional cost over integer arithmetic. Automatic saturation (or clipping) significantly reduces the number of control-flow instructions needed for checking overflow explicitly in the program. Changes in technological and economic requirements make it more expensive to continue programming DSPs in assembly. Staying with the mobile phone as an example, the signal-processing algorithms required become increasingly complex. Features such as stronger error correction and encryption must be added. Communication protocols become more sophisticated and require much more code to implement. In certain markets, multiple protocol stacks are implemented to be compatible with multiple service providers. In addition, backward compatibility with older protocols is needed to stay synchronized with provider networks that are in a slow process of upgrading.

Today, most embedded processors are offered with C compilers. Despite this, programming DSPs is still done in assembly for the signal processing parts or, at best, by using assembly-written libraries supplied by manufacturers. The key reason for this is that although the architecture is well matched to the requirements of the signal-processing application, there is no way to express the algorithms efficiently and in a natural way in Standard C. Saturated arithmetic. For example, is required in many algorithms and is supplied as a primitive in many DSPs. However, there is no such primitive in Standard C. To express saturated arithmetic in C requires comparisons, conditional statements, and correcting assignments. Instead of using a primitive, the operation is spread over a number of statements that are difficult to recognize as a single primitive by a compiler.

1) DESCRIPTION

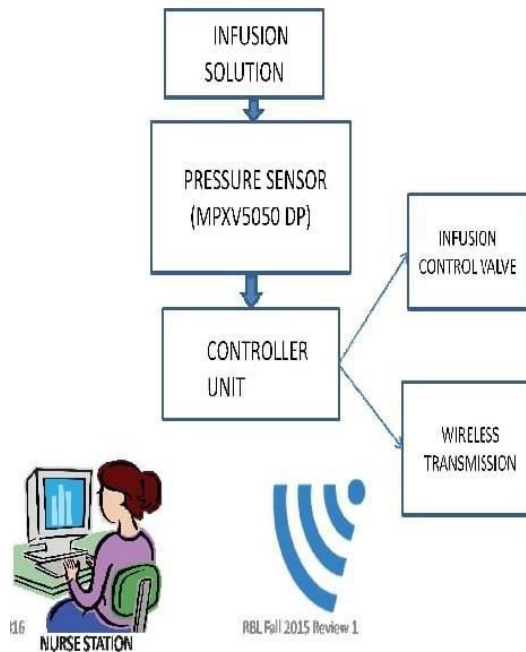
Embedded C is designed to bridge the performance mismatch between Standard C and the embedded hardware and application architecture. It extends the C language with the primitives that are needed by signal-processing applications and that are commonly provided by DSP processors. The design of the support for fixed-point data types and named address spaces in Embedded C is based on DSP-C. DSP-C [1] is an industry-designed extension of C with which experience was gained since 1998 by various DSP manufacturers in their compilers. For the development of DSP-C by ACE (the company three of us work for), cooperation was sought with embedded-application designers and DSP manufacturers.

The Embedded C specification extends the C language to support freestanding embedded processors in exploiting the multiple address space functionality, user-defined named address spaces, and direct access to processor and I/O registers. These features are common for the small, embedded processors used in most consumer products. The features introduced by Embedded Care fixed-point and saturated arithmetic, segmented memory spaces, and hardware I/O addressing. The description we present here addresses the extensions from a language-design perspective, as opposed to the programmer or processor architecture perspective.

2) MULTIPLE ADDRESS SPACES

Embedded C supports the multiple address spaces found in most embedded systems. It provides a formal mechanism for C applications to directly access (or map onto) those individual processor instructions that are designed for optimal memory access. Named address spaces use a single, simple approach to grouping memory locations into functional groups to support MAC buffers in DSP applications, physical separate memory spaces, direct access to processor registers, and user-defined address spaces.

The Embedded C extension supports defining both the natural multiple address space built into a processor's architecture and the application-specific address space that can help define the solution to a problem. Embedded C uses address space qualifiers to identify specific memory spaces in variable declarations. There are no predefined keywords for this, as the actual memory segmentation is left to the implementation. As an example, assume that X and Y are memory qualifiers.



V. CONCLUSION

This proposed monitoring, one can monitor the level of glucose bottle from a distant position which will aid in building smart health care system. Affordable, precise, and efficient system that undoubtedly works in a smooth manner. Electronic valve with Quantitative control system, in order to realize for flow control in drip, as a small, compact, and advanced technology in the medical field.

REFERENCES

- [1] C.C. Gavimath, Krishnamurthy Bhat, C.L. Chayalakshmi, R. S. Hooli and B.E.Ravishankera, "Design And Development Of Versatile Saline Flow Rate Measuring System And Gsm Based Remote Monitoring Device", International Journal of Pharmaceutical Applications, vol. 3, no. 1, pp. 277-281, 2012.
- [2] Manoj Kumar Swain, Santosh Kumar Mallick, Rati Ranjan Sabat, "Smart Saline Level Indicator cum Controller", International Journal of Application or Innovation in Engineering & Management (IJAIEM), vol. 4, no. 3, pp. 299-301, 2015.
- [3] Mansi G. Chidgopkar, Aruna P. Phatale, "Automatic and Low-Cost Saline Level Monitoring System Using Wireless Bluetooth Module and Cc2500 Transceiver", International Journal of Research in Engineering and Technology, vol. 04, no. 09, pp. 274- 276, 2015.



Organized by

Dhaanish Ahmed Institute of Technology, KG chavadi, Coimbatore, India

- [4] I.S.Tawade, M.S.Pendse, H.P.Chaudhari "Design and Development Of Saline Flow Rate Monitoring System Using Flow Sensor, Microcontroller and Rf Zigbee Module", International Journal Of Engineering Research And General Science, vol. 3, no. 3, pp. 472- 478, 2015.
- [5] Priyadharshini.R , Mithuna.S , Vasanth Kumar.U, Kalpana Devi.S , Dr. SuthanthiraVanitha.N,"Automatic Intravenous Fluid Level Indication System for Hospitals", International Journal for Research in Applied Science & Engineering Technology (IJRASET), vol. 3, no. 8, pp. 427- 432, 2017.
- [6] J. Singh, M. Tiwari, and M. Shelar, "ZigBee based Patient Monitoring System", International Journal of Computer Applications, vol. 51, no. 22, pp. 17-20, 2012.
- [7] A. P.P.Belgali, "Implementation of GSM Based Real Time Patient Monitoring System", International Journal of Innovative Research in Science, Engineering and Technology, vol. 4, no. 8, pp. 6875-6878, 2015.
- [8] Anbumani.S, Kavin.R , Saranya.A, Dineshkumar.T, Premkumar.R"AN INTELLIGENT PATIENT TELE-MONITORING SYSTEM USING ANDROID TECHNOLOGY", International Journal of Research in Engineering and Technology, vol. 04, no. 02, pp. 477- 482, 2015.
- [9] "Normal Saline Solution", Paramedicine.com, 2017. [Online]. Available: http://www.paramedicine.com/pmc/Normal_Saline_Solution.html.
- [10] "Property and composition of solutions", Intranet.tdmu.edu.ua, 2017. [Online]. Available: http://intranet.tdmu.edu.ua/data/kafedra/internal/zag_him/classes_stud/en/med/lik/ptn/medical%20chemistry/1%20course/01.%20Solution.%20Properties%20of%20solution.htm.



INTERNATIONAL JOURNAL OF INNOVATIVE RESEARCH

IN SCIENCE | ENGINEERING | TECHNOLOGY

 9940 572 462  6381 907 438  ijirset@gmail.com



www.ijirset.com

Scan to save the contact details