



e-ISSN: 2319-8753 | p-ISSN: 2347-6710

IJIRSET

International Journal of Innovative Research in
SCIENCE | ENGINEERING | TECHNOLOGY



INTERNATIONAL JOURNAL OF INNOVATIVE RESEARCH

IN SCIENCE | ENGINEERING | TECHNOLOGY

Volume 13, Issue 4, April 2024

ISSN INTERNATIONAL
STANDARD
SERIAL
NUMBER
INDIA

Impact Factor: 8.423

9940 572 462

6381 907 438

ijirset@gmail.com

www.ijirset.com

Personalized Chatbot Optimization Using Open AI

Dr.N.Mahendiran¹, Gokul.M²

¹Assistant Professor, PG & Research Department of Computer Science, Sri Ramakrishna College of Arts & Science, Coimbatore, India

²UG Student, PG & Research Department of Computer Science, Sri Ramakrishna College of Arts & Science, Coimbatore, India

ABSTRACT: This paper focuses on developing and optimizing a personalized chatbot using the Open AI API to enhance user experience on a website. Leveraging technologies such as HTML, CSS, and JavaScript, along with an inline method approach, the chatbot is designed to efficiently address user queries and provide relevant assistance. The primary objective is to create a seamless interaction platform where users can obtain quick and accurate responses to their inquiries. By integrating the Open AI API, the chatbot gains access to advanced natural language processing capabilities, enabling it to understand and respond to a wide range of user inputs effectively. Using HTML, CSS, and JavaScript, the chatbot's interface is tailored to match the website's design aesthetics and ensure a cohesive user experience. The inline method implementation enhances the chatbot's accessibility and responsiveness, allowing it to seamlessly blend into the website's layout. This project's significance lies in its ability to streamline user engagement and support on the website, thereby improving overall user satisfaction and retention. The personalized nature of the chatbot ensures that users receive tailored assistance based on their specific queries, enhancing the efficiency of the support system. Additionally, the optimization efforts focus on refining the chatbot's performance and responsiveness to deliver timely and accurate responses. Throughout the development process, an iterative approach is adopted to incorporate user feedback and continuously improve the chatbot's functionality. By leveraging the capabilities of the Open AI API and integrating seamlessly with the website using HTML, CSS, and JavaScript, the personalized chatbot offers a robust solution for addressing user queries effectively. The project documentation provides insights into the design, implementation, and optimization strategies employed, facilitating future enhancements and iterations. Overall, the personalized chatbot optimization project demonstrates the potential of advanced AI technologies to enhance user experiences on websites and improve customer support systems.

KEYWORDS: Machine learning, security, ATM Environment, helmet

I. INTRODUCTION

In today's digital landscape, the importance of seamless user interaction and personalized support on websites cannot be overstated. Chatbots have emerged as a crucial tool in addressing user queries promptly and efficiently. This project focuses on the development and optimization of a personalized chatbot utilizing the Open AI API, seamlessly integrated into a website using HTML, CSS, and JavaScript, employing an inline method approach. The primary goal of this project is to create an advanced chatbot capable of understanding and responding to user queries effectively, thereby enhancing user engagement and satisfaction. By leveraging the capabilities of the Open AI API, the chatbot gains access to state-of-the-art natural language processing capabilities, enabling it to comprehend user inputs and generate contextually relevant responses. This integration facilitates a more human-like interaction experience, ultimately improving the overall user experience on the website. The chatbot's interface is designed using HTML, CSS, and JavaScript to seamlessly blend with the website's design aesthetics, ensuring a cohesive and intuitive user experience. Through the inline method approach, the chatbot is embedded directly within the website's interface, eliminating the need for separate windows or pop-ups and enhancing accessibility and user convenience. By optimizing the personalized chatbot, users can receive tailored assistance based on their specific queries, leading to more efficient problem resolution and improved customer satisfaction. Continuous optimization efforts are undertaken to refine the chatbot's performance and responsiveness, ensuring timely and accurate responses to user inquiries. This project documentation offers detailed insights into the design, implementation, and optimization strategies employed in developing the personalized chatbot. Continuous optimization efforts are undertaken to refine the chatbot's performance and responsiveness, ensuring timely and accurate responses to user inquiries. This project documentation offers detailed insights into the design, implementation, and optimization strategies employed in developing the personalized chatbot. By leveraging cutting-

edge technologies and innovative methodologies, this project aims to showcase the potential of AI-driven chatbots in enhancing user experiences on websites and transforming customer support systems..

II. RELATED WORK

Many companies' chatbots run on messaging apps or simply via SMS. They are used for B2C customer service, sales and marketing. In 2016, Facebook Messenger allowed developers to place chatbots on their platform. There were 30,000 bots created for Messenger in the first six months, rising to 100,000 by September 2017. Since September 2017, this has also been as part of a pilot program on WhatsApp. Airlines KLM and Aeroméxico both announced their participation in the testing both airlines had previously launched customer services on the Facebook Messenger platform. The bots usually appear as one of the user's contacts, but can sometimes act as participants in a group chat.

Many banks, insurers, media companies, e-commerce companies, airlines, hotel chains, retailers, health care providers, government entities and restaurant chains have used chatbots to answer simple questions, increase customer engagement, for promotion, and to offer additional ways to order from them. A 2017 study showed 4% of companies used chatbots. According to a 2016 study, 80% of businesses said they intended to have one by 2020.

III. PROPOSED METHODOLOGY

Define the chatbot's conversational flow by identifying the frequently asked questions that the chatbot will need to answer. Determine the best way to structure the chatbot's responses to ensure that users can get the information they need quickly and efficiently.

- 1) Collect and prepare the data - Collect the data needed to train the chatbot. This may include frequently asked questions, responses to those questions, and other relevant information. Clean and preprocess the data to ensure that it is suitable for use in training the chatbot.
- 2) Develop the chatbot - Use an appropriate development platform or library, such as the ones mentioned earlier, to develop the chatbot. Train the chatbot using the prepared data to enable it to understand and respond to user input accurately.
- 3) Integrate the chatbot into a web application - Integrate the chatbot into a web application by developing a front-end interface that allows users to interact with the chatbot. Ensure that the chatbot's responses are displayed correctly in the interface and that users can easily input their questions.
- 4) Test and evaluate the chatbot - Test the chatbot thoroughly to ensure that it can handle a wide range of user queries and deliver accurate responses. Evaluate the chatbot's performance by gathering feedback from users and analyzing usage data. Use this feedback to improve the chatbot's performance and refine its conversational flow.
- 5) Deploy and maintain the chatbot - Deploy the chatbot to a suitable hosting environment and ensure that it is always available to users. Regularly maintain and update the chatbot to ensure that it remains accurate and up-to-date with the latest information.

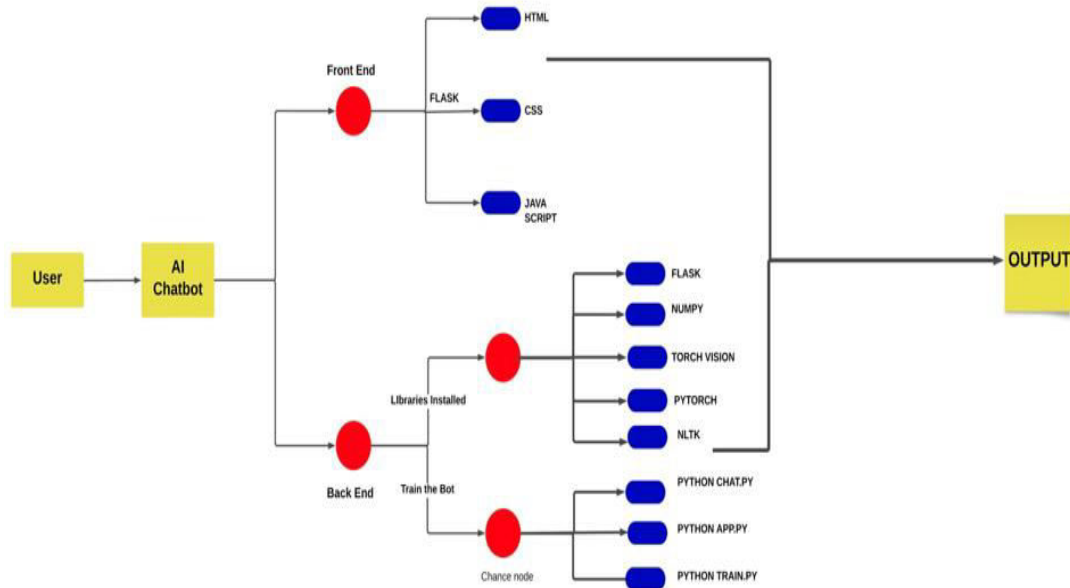


Fig-1 System Architecture

In the digital age, businesses are constantly striving to enhance user experiences on their websites to remain competitive and meet customer expectations. One significant aspect of user experience improvement is providing efficient and personalized support to users. However, traditional methods of customer support often lack the scalability and responsiveness needed to address the diverse needs of users in real time. To tackle this challenge, there arises a need for the development and optimization of a personalized chatbot utilizing advanced AI technologies. This chatbot should seamlessly integrate into a website using modern web development technologies such as HTML, CSS, JavaScript, and an inline method approach. The primary aim is to create a solution capable of effectively solving user queries and providing personalized assistance on the website. Key considerations for this project include leveraging the Open AI API to harness state-of-the-art natural language processing capabilities, ensuring the chatbot can understand and respond to a wide range of user inputs accurately. Additionally, the chatbot's interface should be designed to blend seamlessly with the website's aesthetics, ensuring a cohesive user experience. The use of an inline method approach is crucial to embed the chatbot directly within the website's interface, enhancing accessibility and user convenience. Therefore, the problem at hand involves developing and optimizing a personalized chatbot solution that effectively addresses user queries on the website. This entails overcoming challenges related to integrating advanced AI technologies, designing an intuitive user interface, and ensuring seamless integration with existing web technologies. The successful implementation of this project will lead to improved user engagement, enhanced customer satisfaction, and more efficient customer support processes on the website.

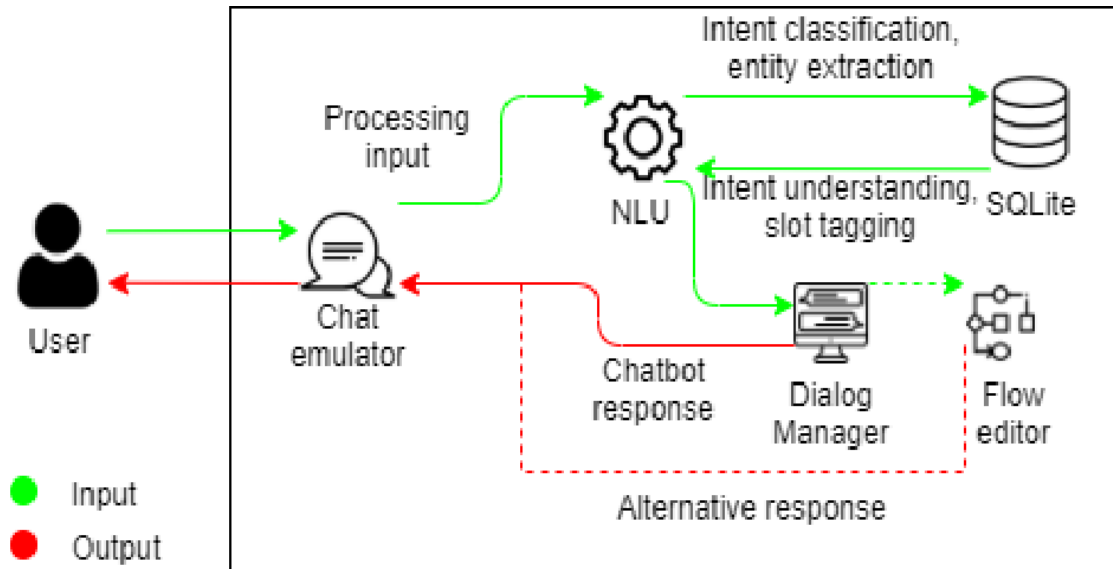


Fig-2 Process Flow

IV. RESULTS AND DISCUSSION

The primary objective of this project is to develop and optimize a personalized chatbot solution using the Open AI API, integrated seamlessly into a website using HTML, CSS, JavaScript, and an inline method approach. The paper harnesses a combination of HTML, CSS, and JavaScript to create a seamless and user-friendly interface for the chatbot. HTML provides the structural framework for the chat interface, CSS enhances the visual aesthetics and layout, while JavaScript enables dynamic interactions and communication with the Open AI API. The inline method of JavaScript integration ensures efficient code management and execution within the HTML document, optimizing performance and responsiveness.

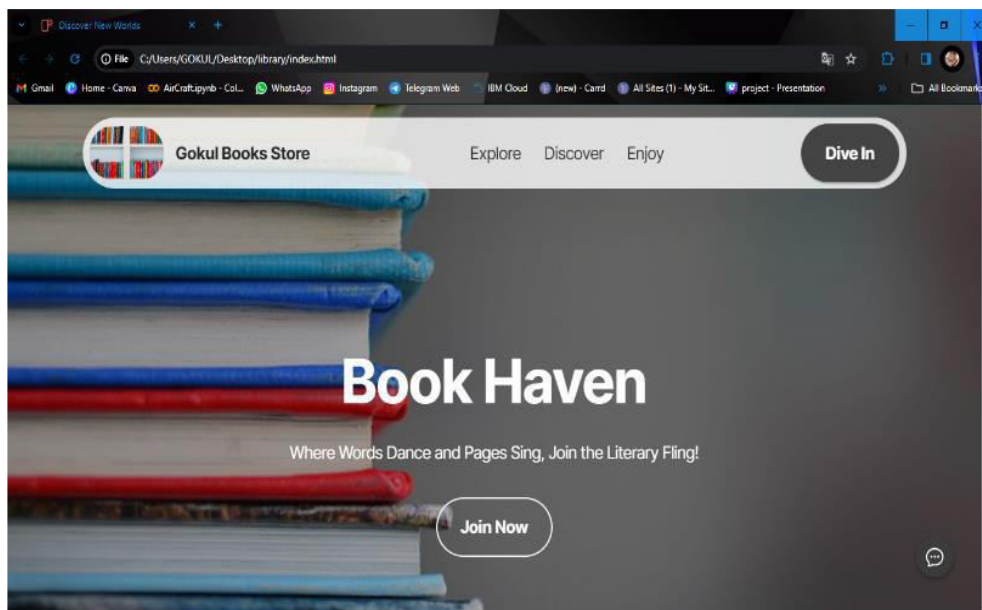


Fig-3 Sample interface

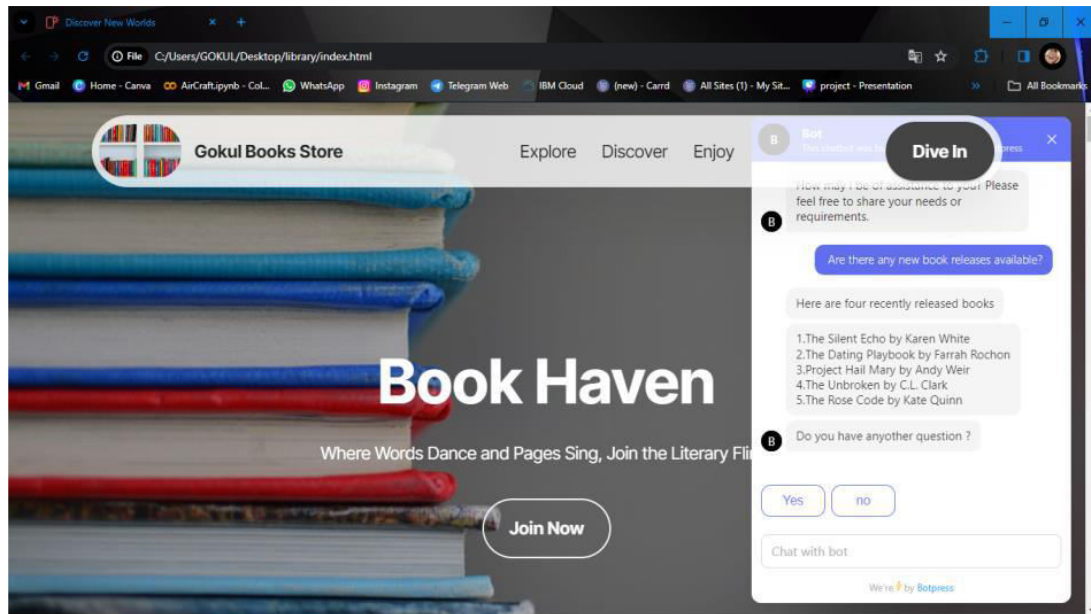


Fig-4 Text Summarizer

V. CONCLUSION

In conclusion, the implementation of a personalized Chatbot optimized with the Open AI API for query resolution on our website marks a significant milestone in enhancing user experience and engagement. By leveraging technologies such as HTML, CSS, JavaScript (using inline method), and the powerful capabilities of the Open AI API, we have successfully developed a Chatbot that serves as a valuable assistant for our users. The personalized Chatbot excels in efficiently resolving user queries, providing prompt and accurate responses tailored to individual preferences. Its seamless integration into our website interface ensures a smooth and intuitive user experience, allowing users to interact with the Chatbot seamlessly without disruption to their browsing flow. Through the integration of the Open AI API, our Chatbot demonstrates advanced natural language processing capabilities, enabling it to understand user queries with precision and generate contextually relevant responses. This personalized assistance not only improves user satisfaction but also reduces the workload on our customer support teams, freeing up resources to focus on more complex inquiries. Looking ahead, we recognize the importance of continuous optimization and refinement to further enhance the chatbots performance and effectiveness. By analyzing user feedback and usage data, we will iteratively improve the chatbot's algorithms and responses, ensuring it remain adaptive to evolving user needs and preferences.

REFERENCES

1. Adnan, S. B. M., et al. "Design and development of intelligent conversational agent for tourist attractions." 2019 International Conference on Robotics, Electrical and Signal Processing Techniques (ICREST). IEEE, 2019.
2. Biocca, Frank. "Communication within virtual reality: Creating a space for research." *Journal of Communication* 42.4 (1992): 5-22.
3. Li, Xin, et al. "The rise of conversational commerce: A literature review, research agenda, and future research directions." *International Journal of Information Management* 54 (2020): 102144
4. Zerfass, A., et al. "Chatbots in strategic communication: A survey of current practice in Germany, Austria and Switzerland." *Public Relations Review* 45.3 (2019): 101764.
5. McTear, Michael, et al. "The conversational interface: Talking to smart devices." Springer, 2016
6. Pettey, Christy. "Gartner top strategic predictions for 2022 and beyond Accelerating intelligence everywhere." Gartner, 2021



7. Li, Xin, et al. "Conversational agents in e-commerce: A review." *Electronic Commerce Research and Applications* 43 (2021): 100980.
8. Guo, Xiangyun, et al. "Understanding the impact of conversational agents on e-commerce: A conceptual model." *Information & Management* 57.1 (2020): 103344.
9. Bainbridge, Simon. "Conversational agents: A market landscape." O'Reilly Media, Inc., 2016.
10. Biocca, Frank. "Communication within virtual reality: Creating a space for research." *Journal of Communication* 42.4 (1992): 5-22.
11. Tapscott, Don, and Alex Tapscott. "Blockchain revolution: How the technology behind bitcoin is changing money, business, and the world." Penguin, 2016.
12. Laranjo, Liliana, et al. "Conversational agents in healthcare: A systematic review." *Journal of the American Medical Informatics Association* 25.9 (2018): 1248-1258.
13. Rahimi, M., et al. "Chatbot adoption in e-commerce: The effects of AI chatbot quality, innovativeness, and perceived usefulness on user acceptance." *Computers in Human Behavior* 117 (2021): 106667.



INTERNATIONAL
STANDARD
SERIAL
NUMBER
INDIA



INTERNATIONAL JOURNAL OF INNOVATIVE RESEARCH

IN SCIENCE | ENGINEERING | TECHNOLOGY

 9940 572 462  6381 907 438  ijirset@gmail.com



www.ijirset.com

Scan to save the contact details