



e-ISSN: 2319-8753 | p-ISSN: 2347-6710

IJRSET

International Journal of Innovative Research in
SCIENCE | ENGINEERING | TECHNOLOGY



INTERNATIONAL JOURNAL OF INNOVATIVE RESEARCH

IN SCIENCE | ENGINEERING | TECHNOLOGY

Volume 13, Issue 3, March 2024

ISSN INTERNATIONAL
STANDARD
SERIAL
NUMBER
INDIA

Impact Factor: 8.423

Analysis of Surface Roughness for Laser Cutting on Acrylic Sheets using Response Surface Method

A.Joseton¹, S.Sanjiev Prasath¹, M.Madasamy¹, R.Delwin Raj, J.Elmer Jesura¹

UG Scholar, Department of Mechanical Engineering, St.Mother Theresa Engineering College, Thoothukudi, Tamil Nadu, India¹

ABSTRACT: Box-Behnken design based on response surface method (RSM) and multilayer perceptions neural network were used to predict the effect of laser cutting parameters include power requirement, cutting speed and tips distance on surface roughness during the machining of acrylic sheets. It is found that the predictive models are able to predict the longitudinal component of the surface roughness close to those readings recorded experimentally with a 95% confident interval. The result obtained from the predictive model was also compared using multilayer perceptions with back-propagation learning rule artificial neural network. The first order equation revealed that power requirement was the dominant factor which was followed by tip distance, and cutting speed. This observation indicates the potential of using response surface method in predicting cutting parameters thus eliminating the need for exhaustive cutting experiments to obtain the optimum cutting condition to enhance the surface roughness.

KEYWORDS: Laser beam cutting, Box-Behnken design, surface roughness, acrylic sheets

I. INTRODUCTION

Laser is very important and useful in many industries such as cutting, welding, drilling and many other applications. Laser light differs from ordinary light due to it has the photons of same frequency, wavelength and phase. Thus, unlike ordinary light laser beams are high directional, have high power density and better focusing characteristics. These unique characteristics of laser beam are useful in processing of materials. The laser beams are widely used for machining and other manufacturing processes such as cutting, drilling, micromachining, marking, welding, sintering and heat treatment. Laser beam machining (LBM) is a thermal energy based advanced machining process in which the material is removed by melting, vaporization and chemical degradation. When a high energy density laser beam is focused on work surface the thermal energy is absorbed which heats and transforms the work volume into a molten, vaporized and chemically changed state that can be easily be removed by flow of high pressure assist gas. LBM can be applied to a wide range of materials such as metals and non-metals. Laser surface texturing may be an ideal technology for applications in mechanical face seal, as well as in various components in engine such as piston ring and cylinder and thrust bearings, involving creation of an array of micro dimples or channels artificially distributed on the mating surface with a pulsed laser beam. The most widely used lasers for sheet cutting are continuous wave (CW), CO₂ and pulsed Nd:YAG [1-10]. Pulsed Nd:YAG laser cutting becomes an excellent cutting process because of high laser beam intensity, low mean beam power, good focusing characteristics, and narrow heat affected zone (HAZ). Authors [11-20] have found that the laser-assisted turning (LAT) of silicon nitride ceramics economically reduces the surface roughness and tool wear in comparison to only conventional turning process. The study reveals that low pulse frequencies and high peak powers were found to be favourable for higher cuttingspeeds.

In any manufacturing process it is always desired to know that the effect of variation of input parameters on process performance in order to achieve the goal of better product quality. LBM being a non-conventional machining process requires high intensity and offers poor efficiency. Therefore, high attention is required for better utilization of resources. The values of process parameters are determined to yield the desired product quality and also to maximize the process performance. In LBM, there are various variables including beam power, cutting speed and tips distance which affect the surface roughness. Surface roughness value reduces on increasing cutting speed and frequency, and decreasing the laser power and gas pressure. In addition, nitrogen gives better surface finish than oxygen [21-30]. The laser power and cutting speed has a major effect on surface roughness as well as striation frequency [31-40]. Artificial Neural Networks (ANNs) are excellent tools for complex manufacturing processes that have many variables and

complex interactions. Neural networks have provided means of excellent controlling of complex processes [41-46]. In the past, many researchers have reported the application of neural network models in monitoring tool condition and predicting the tool wear and tool life. An exclusive review of the current literature has been presented by Dan and Mathew [47-50]. Author [51-55] have used neural networks to predict surface roughness in milling operations by including machining parameters such as spindle speed, feed, depth of cut, and vibration “intensity” per revolution. Their neural networks have been executed in real time. For the same purpose, hybrid techniques (neural networks combined with fuzzy logic) have been employed by the same authors [56-60].

The aim of this work is to present and discuss about the experimental investigations using response surface method and Neural Network (NN) and acrylic sheets in order to predict the significant factors and their effects on quality characteristics for better cutting performance and showing the effect relationship between process variables and performance characteristics.

II. RESPONSE SURFACE METHOD

Response surface method (RSM) is a collection of statistical and mathematical methods that are useful for the modelling and optimization of the engineering problems. In this technique, the main objective is to optimize the responses that are influencing by various parameters. RSM also quantifies the relationship between the controllable parameters and the obtained response. In modelling of the manufacturing processes using RSM, the sufficient data is collected through designed experimentation. In general, a second order regression model is developed because of first order models often give lack-off fit [61-65]. The study uses the Box-Behnken design in the optimization of experiments using RSM to understand the effect of important parameters. Box-Behnken design is normally used when performing non-sequential experiments. That is, performing the experiment only once. These designs allow efficient estimation of the first and second –order coefficients. Because Box-Behnken design has fewer design points, they are less expensive to run than central composite designs with the same number of factors. Box-Behnken design does not have axial points, thus we can be sure that all design points fall within the safe operating. Box- Behnken design also ensures that all factors are never set at their high levels simultaneously [66-73].

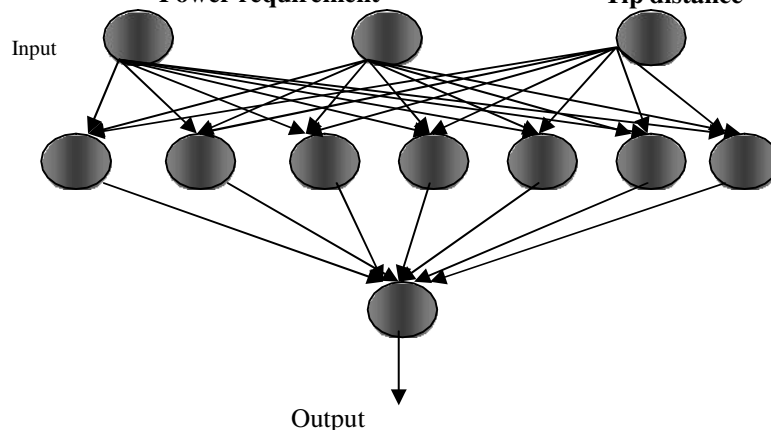
MULTILAYER PERCEPTIONS NEURAL NETWORK

In the current application, the objective is to use the supervised network with multilayer perceptions and train with the back-propagation algorithm (with momentum). The components of the input pattern consist of the control variables used in the machining operation (the cutting speed, power requirement and tip distance), whereas the components of the output pattern represent the responses from sensors (surface roughness). During the training process, initially all patterns in the training set were presented to the network and the corresponding error parameter (sum of squared errors over the neurons in the output layer) was found for each of them. Then the pattern with the maximum error was found which was used for changing the synaptic weights. Once the weights were changed, all the training patterns were again fed to the network and the pattern with the maximum error was then found. This process was continued till the maximum error in the training set became less than the allowable error specified by the user. This method has the advantage of avoiding a large number of computations, as only the pattern with the maximum error was used for changing the weights. Figure 1 shows the neural network computational mode with 3-7-1 structure.

Cutting speed

Power requirement

Tip distance



Hidden layer

Output

Figure 1: Neural network with 3-7-1 structure

III. EXPERIMENTAL SET-UP

The experiment was performed on a 30W pulsed CO₂ laser beam system with CNC worktable. The variable process parameters taken are: beam power, cutting speed and tip distance. Focal length of the lens used is 50 mm, nozzle diameter 1.0 mm and nozzle tips distance 1.0 mm, were kept constant throughout the experiments. The fifteen experiments were carried out using the laser machine, which is shown in Figure 2. Acrylic sheet of thickness 3.0 mm, 30.0 mm width and 40.0 mm long was taken as specimen. Acrylic sheet was cut into rectangular size to measure the surface roughness. The dimension of acrylic sheet specimen is shown in Figure 3. Four sides were measure to get the average roughness. Surface roughness tester (Perthometer) was used to measurement of roughness. The material properties of the work piece are listed in Table

1. After the preliminary investigation, the suitable levels of the factors are used in the statistical software to deduce the design parameters for acrylic sheets, which is also listed in Table 2. The lower and higher speed values were selected of 700 pulses/s and 1100 pulses/s respectively. The higher and lower value of power requirement of 95% and 90% are considered. The range of tip distance is 3 mm to 9 mm.



Figure 2: Laser machine

Table 1: Material properties of specimen

Properties	Value	Unit
Density	1170	kg/m ³
Yield Tensile Strength	52.1	MPa
Processing temperature	156	°C
Modulus of elasticity	2.31	GPa

Table 2: Level of design variables

Design Variables	Coding of levels		
	1(lowest)	0(middle)	1(highest)
Power requirement (%)	90	92.5	95
Cutting speed (pulse/s)	700	900	1100
Tip distance (mm)	3	6	9

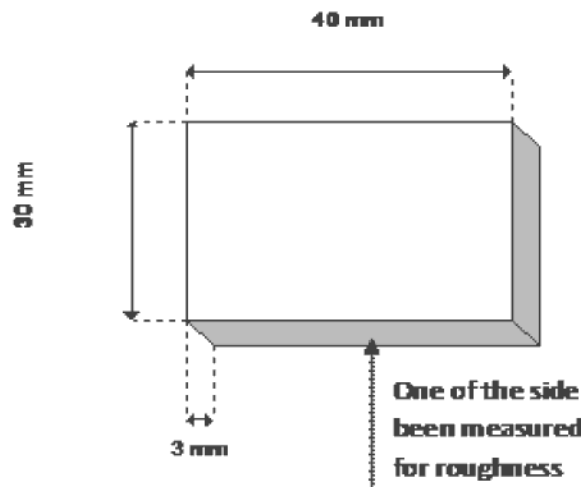


Figure 3: Dimensions of the specimen

IV. RESULTS AND DISCUSSION

The surface roughness readings for 15 experiments are used to predict the parameters appear in the postulated first and second-order model, which are expressed as Eq. (1) and Eq. (2) respectively. In order to calculate these parameters, the least square method was used to determine these parameters with the help of statistical software. The first and second-order linear and quadratic equation used to predict the surface roughness, which is expressed as Eq.(1) and Eq. (2).

$$Ra^{(1)} = 0.7059 + 0.0124Pr - 0.0000265C_{speed} + 0.016GD \quad (1)$$

where Ra is surface roughness, Pr is the power requirement, C_{speed} is cutting speed and TD is the tip distance.

From this linear equation, one can easily notice that the response surface roughness is affected significantly by the power requirement, followed by tip distance and cutting speed. Eq. (1) shows that combination of high power and tip distance produce a rough surface. On other hand, high cutting speed produces a very smooth surface. Similar to the first-order model, by examining the coefficients of the first-order terms, the tip distance (TD) has the most dominant effect on the surface roughness. The contribution of power requirement (Pr) is the least significant. Also, owing to the P-value of interaction is 0.092 (>0.05), one can easily deduce that the interactions of distinct design variables are not significant. In other words, the most dominant design variables TD and Pr have the minimum interaction with others in the current context. As seen from Figure 4 and Table 3, the predicted surface roughness using the second order RSM model is able to produce values close to those with experimental, and, as it should



be the case, it exhibits better agreement as compared to those from the first-order RSM model. The ANOVA analysis shown in Tables 4, which is indicate that the model is adequate as the P-value of the lack-of-fit is not significant (> 0.05).

Table 3: RSM models prediction for surface roughness

No. Exp	Power requirement(%)	Cutting speed (pulse/s)	Tip distance (mm)	Surface roughness(μm)	1st order-RSM	NN prediction for surface roughness
1	90.0	900	9	0.826	0.543	0.826
2	95.0	900	9	0.23	0.605	0.230
3	90.0	1100	6	0.241	0.488	0.241
4	92.5	900	6	0.423	0.526	0.539
5	95.0	700	6	0.525	0.564	0.525
6	90.0	900	3	0.277	0.447	0.277
7	92.5	900	6	0.794	0.526	0.539
8	92.5	700	9	0.398	0.581	0.398
9	92.5	700	3	0.496	0.484	0.496
10	92.5	1100	3	0.291	0.471	0.291
11	90.0	700	6	0.852	0.502	0.852
12	95.0	900	3	0.451	0.509	0.451
13	95.0	1100	6	1.238	0.55	1.238
14	92.5	900	6	0.399	0.526	0.539
15	92.5	1100	9	0.448	0.568	0.448

Table 4: Analysis of variance (ANOVA) for first-order equation

Source of variation	Degree of freedom	Sum of squares	Mean squares	F-ratio	P-value
Regression	3	0.02676	0.00892	0.09	0.964
Linear	3	0.02676	0.00892	0.09	0.964
Residual Error	11	1.09008	0.099098		
Lack-of-Fit	9	0.992	0.110222	2.25	0.346
Pure Error	2	0.09808	0.04904		
Total	14	1.11684			

V. COMPARISON BETWEEN TWO TECHNIQUES

After determining the surface response method equations of all the response variables and also neural network program, the prediction by both techniques was compared. The prediction from the neural network was compared with the prediction from the model developed by response surface method (RSM). Figure 4 shows the comparison between the predicted values for surface roughness obtained by neural network (NN) and experimental data. Both the values are in close agreement with each other; Figure 5

shows the error percentage by neural network and response surface method. From these figures it is clear that the response surface method is quite close to the prediction value of the neural network. Neural network predicted more accurate compared with RSM. The error for both techniques can be accepted and the model of the response surface method can be accepted.

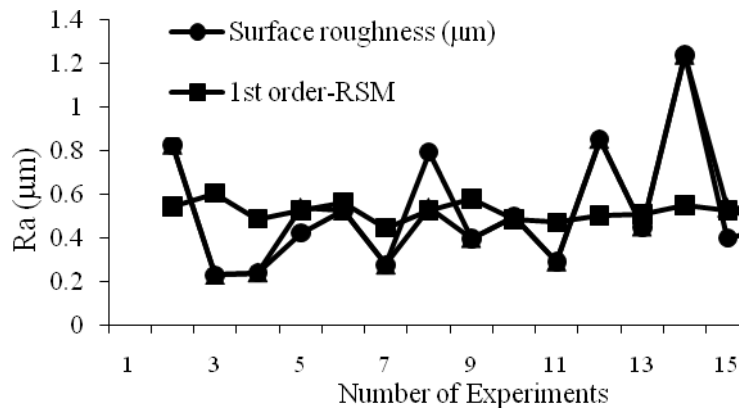


Figure 4: Comparison of RSM models against experimental values

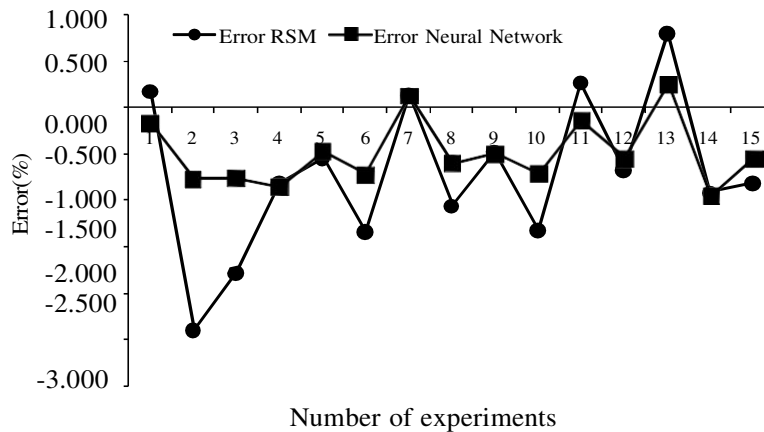


Figure 5: Error percentage by neural network and response surface method

VI. CONCLUSION

The response surface method and neural network have been proven to be a successful technique to perform the trend analysis of surface roughness with respect to various combinations of three design variables. By using the least square method, the first-order models have been developed based on the test conditions in accordance with the Box– Behnken design method. The models have been found to accurately representing the surface roughness values with respect to those experiment values. The equations have been checked for their adequacy with a confidence interval of 95%. Both models reveal that the power requirement and tip distance is the most significant design variable in determining the surface roughness response as compared to the others. In general, within the working range of the power requirement and tip distance considered, the surface roughness increases as the both variables increases. The models have beenfound to be accurately representing surface roughness values with respect to

experimental results. Both RSM and neural network models reveal that power requirement is the most significant design variable in determining surface roughness response as compared to other parameters. With the model equations obtained, a designer can subsequently select the best combination of design variables for achieving optimum surface roughness. This eventually will reduce the machining time and save the cutting tools.

REFERENCES

1. Box, G.E.P. and Behnken, D.W., 1960, Some new three level designs for the study of quantitative variables. *Technometrics*, Vol. 2:455-475.
2. Box, G.E.P. and Draper, N.R., 1987, *Empirical model-building and response surfaces*, John Wiley & Sons, New York.
3. Chryssolouris, G., 1991, *Laser Machining - Theory and Practice*. Springer, New York.
4. Gnanaraj, S. J. P., & Velmurugan, V. (2019). An experimental study on the efficacy of modifications in enhancing the performance of single basin double slope solar still. *Desalination*, 467, 12-28.
5. Gnanaraj, S. J. P., Ramachandran, S., & Christopher, D. S. (2017). Enhancing the design to optimize the performance of double basin solar still. *Desalination*, 411, 112-123.
6. Gnanaraj, S. J. P., Ramachandran, S., & Anbazhagan, R. (2017). Performance of double slope solar still with external modifications. *Desalination and water treatment*, 67, 16-27.
7. Logesh, K., Gnanaraj, S. J. P., Jeshurun, S. B., & Klinton, G. (2022). Experimental analysis of solar still with thermal storage medium. *Materials Today: Proceedings*, 60, 791-794.
8. Sivakumar, C. K., Robinson, Y., & Gnanaraj, S. J. P. (2023). Enhancing the productivity of v-type and roof type single basin solar still with internal modification-a Taguchi method, 20-35.
9. Perumal, P., Gnanaraj, S. J. P., Pandian, G. S., Livingston, T., & Muthukumar, N. (2023, November). Revolutionizing E-Cycle Charging with a Novel Regenerative Battery System. In *2023 International Conference on Sustainable Communication Networks and Application (ICSCNA)* (pp. 762-767). IEEE.
10. Fantin Irudaya Raj, E., Appadurai, M., Chithamabara Thanu, M., & Francy Irudaya Rani, E. (2023). IoT-Based Smart Parking System for Indian Smart Cities. *Machine Intelligence, Big Data Analytics, and IoT in Image Processing: Practical Applications*, 369-398.
11. Thangam, J. A., Jeshurun, S. B., Thangapoo, A., Gnanaraj, S. J. P., & Appadurai, M. (2022). Industrial hazards and safety measures—An empirical study. *Materials Today: Proceedings*, 60, 834-838.
12. Paulsyah, D. E., Gnanaraj, S. J. P., Myrtle, R. S., Grace, C. J. C., & Samuel, J. J. J. (2023, November). Green Methods of Larvae Control in Aquatic Environments: Using Solar Energy to Agitate Water. In *2023 International Conference on Sustainable Communication Networks and Application (ICSCNA)* (pp. 799-804). IEEE.
13. Ravindran, P., Mohamed, M. J. S., Gnanaraj, S. J. P., & Appadurai, M. (2022). Effect of graphite addition on dry sliding wear behavior of Self-lubricating Al-SiC-Gr hybrid composites by PM process. *Materials Today: Proceedings*, 60, 783-787.
14. Gnanaraj, S. J. P., & Velmurugan, V. (2020). An experimental investigation to optimize the production of single and stepped basin solar stills—a Taguchi approach. *Energy Sources, Part A: Recovery, Utilization, and Environmental Effects*, 1-24.
15. Raja, M. A., Manikandan, V., Kumar, S. S., Amuthakannan, P., Balasubramanian, I., Gnanaraj, S. J. P., & Jeshurun, S. B. (2022). Parametric investigation and optimization of AWJM process on stir cast al7075/basalt composite materials using Taguchi based grey relational analysis. *Materials Today: Proceedings*, 60, 815-821.
16. Nirmala, A. R., Bhalaji, R. K. A., Kumar, S. B., Gnanaraj, S. J. P., & Appadurai, M. (2022). Study on the effect of COVID-19 pandemic on the savings and investment pattern of the manufacturing sector. *Materials Today: Proceedings*, 68, 1319-1323.
17. Gani, Z. F. A., Mohamed, J. S., Gnanaraj, J. P. S., Muthusaravanan, N., & Ariyanayagam, K. (2022). Experimental study on the stability and flame characteristics of LPG flames in O₂/N₂ and O₂/CO₂ environment. *Materials Today: Proceedings*, 49, 2019-2024.
18. Karthick, M., Kumar, S. R., Athiappan, K., & Gnanaraj, S. (2022, April). Thermal analysis of counter flow concentric tube heat exchanger using Runge-Kutta method. In *AIP Conference Proceedings (Vol. 2405, No. 1)*. AIP Publishing.
19. Gnanaraj, S., Patrick, J., & Annaamalai, M. G. L. (2022). Enhancing solar still productivity by optimizing operational parameters. *DESALINATION AND WATER TREATMENT*, 254, 1-14.
20. Subharaj, C., Logesh, M., Munaf, A. A., Srinivas, J., & Gnanaraj, S. J. P. (2022). Sustainable approach on cement mortar incorporating silica fume, LLDPE and sisal fiber. *Materials Today: Proceedings*, 68, 1342-1348.

21. Raj, F. I., Appadurai, Pushparaj, L., & Thanu, C. (2023). Mechanical characterization of randomly oriented short *Sansevieria Trifasciata* natural fibre composites. *International Polymer Processing*, 38(5), 564-581.
22. Ramaswamy, S., Shariff, Z. A., Munaf, A. A., Leno, I. J., Gnanaraj, S. J. P., & Jeshurun, S. B. (2022). Study on application of higher order lamination plate theory over various applications of natural fiber cross-ply composites. *Materials Today: Proceedings*, 60, 822-826.
23. Sulaiman, S. S., Jancy, P. L., Muthiah, A., Janakiraman, V., & Gnanaraj, S. J. P. (2021). An evolutionary optimal green layout design for a production facility by simulated annealing algorithm. *Materials Today: Proceedings*, 47, 4423-4430.
24. Gnanaraj, S. J. P., Ramachandran, S., & Logesh, K. (2021). Optimization of production in single basin solar still using Taguchi method-Experimental and theoretical approach. *Materials Today: Proceedings*, 47, 4468-4474.
25. Gnanaraj, S. J. P., Balasubramanian, V., Munaf, A. A., Stalany, V. M., Chandrasekar, K., & Kumar, M. S. (2021). Investigation on drilling parameters of jute and cotton fiber strengthened epoxy composites. *Materials Today: Proceedings*, 45, 7107-7112.
26. Swikker, K., Sankaramoorthy, T., Girisha, L., Gopinath, P., Suresh, P., & Gnanaraj, S. (2022, April). Experimental investigation on the properties of glass fiber-reinforced polymer composites containing graphene. In *AIP Conference Proceedings* (Vol. 2405, No. 1). AIP Publishing.
27. Munaf, R. N. A., Karthikeyan, K., Gnanaraj, S. J. P., Sivakumar, T. A., & Muthukumar, N. (2022, April). An ML Approach for Household Power Consumption. In *2022 International Conference on Sustainable Computing and Data Communication Systems (ICSCDS)* (pp. 784-791). IEEE.
28. Gnanaraj, S. J. P., Arulraj, I., & Appadurai, M. (2022). Computational analysis of fine droplet in swirl injector for desalination. *Materials Today: Proceedings*, 62, 703-709.
29. Devi, R. C., Girimurugan, R., Nanthakumar, S., Rajasekaran, P., Ahammad, S. H., & Gnanaraj, S. J. P. (2022). Experimental study of mechanical properties of Sisal/banana fiber hybrid sandwich composite. *Materials Today: Proceedings*, 68, 1793-1799.
30. Raj, E. F. I., Appadurai, M., Thiyaharajan, D., & Pushparaj, T. L. (2024). State-Of-The-Art Technologies for Crop Health Monitoring in the Modern Precision Agriculture. In *Precision Agriculture for Sustainability* (pp. 21-39). Apple Academic Press.
31. Jeshurun, S. B., Thangam, J. A., Gnanaraj, S. J. P., & Klinton, A. G. (2022). An empirical study on career gratification among college bibliognosts. *Materials Today: Proceedings*, 60, 806-810.
32. Gnanaraj, S. J. P., & Ramachandran, S. (2016). Design and Fabrication of Modified Single Slope Solar Still with Solar Pond. *Int. J. Chem. Sci*, 14, 615-624.
33. Gnanaraj, S., Patrick, J., Ramachandran, S., & Logesh, K. (2016). A Review on Solar Water Distillation Using Thermal Energy Storage. *RESEARCH JOURNAL OF PHARMACEUTICAL BIOLOGICAL AND CHEMICAL SCIENCES*, 7(6), 2471-2477.
34. Kumar, J. R., Mayandi, K., Gnanaraj, S. J. P., Chandrasekar, K., & Ramalingam, P. S. (2022). A critical review of an additive manufacturing role in Covid-19 epidemic. *Materials Today: Proceedings*, 68, 1521-1527.
35. Kumara, M. M., Rajesha, S., & Gnanaraj, S. J. P. (2023). Experimental investigation of double basin solar still integrated with solar flat plate collector and solar pond with modified design. *Desalination and water treatment*, 290, 26-35.
36. Raj, E. F. I., Appadurai, M., Ram, V., Gnaniah, A. M., & Salkuti, S. R. (2023). Natural-Fibre-Reinforced Composite-Based Micro-Size Wind Turbines: Numerical Analysis and Feasibility Study. *Journal of Composites Science*, 7(5), 197.
37. Thanu, C., Raj, F. I., Appadurai, & Pushparaj, L. (2023). Mechanical strength enhancement of natural fibre composites via localized hybridization with stitch reinforcement. *International Polymer Processing*, 38(5), 539-550.
38. Nirmala, D. A. R., Kannan, V., Thanalakshmi, M., Gnanaraj, S. J. P., & Appadurai, M. (2022). Inventory management and control system using ABC and VED analysis. *Materials Today: Proceedings*, 60, 922-925.
39. Gnanaraj, S. J. P., & Ramachandran, S. (2017). Optimization on performance of single-slope solar still linked solar pond via Taguchi method. *Desalination and Water Treatment*, 80, 27-40.
40. Gnanaraj, S. J. P., Ramachandran, S., & Mageshwaran, G. (2016). Experimental analysis of single basin solar still with internal reflector and sensible heat storage medium. *International Journal of ChemTech Research*, 9(8), 328-337.
41. Hansen, R. S., Mary, M. B. Q., Subramanian, S. S., Raj, J. A., Gnanaraj, S. J. P., & Appadurai, M. (2022). Utilization of PCM in inclined and single basin solar stills to improve the daily productivity. *Materials Today: Proceedings*, 62, 967-972.

42. Manickam, I. N., Logesh, K., Gnanaraj, S. J. P., & Appadurai, M. (2022). Effect of compression on coir industry waste material. *Materials Today: Proceedings*, 62, 710-713.
43. Selvan, S. T., Mohandass, M., Ramalingam, P. S., Mayandi, K., Gnanaraj, S. J. P., & Appadurai, M. (2022). An exclusive hand protection device made of fused deposition modelling process using poly (lactic acid) polymer. *Materials Today: Proceedings*, 68, 1381-1386.
44. Ramaswamy, S., Gnanaraj, S. J. P., Sekar, K. C., & Muthukumaran, N. (2023, November). Analysis of Distribution Line in Link with Substation using GSM Technology. In *2023 International Conference on Sustainable Communication Networks and Application (ICSCNA)* (pp. 526-528). IEEE.
45. Mangalraj, A. (2023). Smart Water Management System Powered by the Internet of Things (IoT) for Real-World Applications. In *Internet of Things* (pp. 129-142). Chapman and Hall/CRC.
46. Infantraj, A., Augustine, M., Raj, E. F. I., & Appadurai, M. (2023). Investigation of Various Laminating Materials for Interior Permanent Magnet Brushless DC Motor for Cooling Fan Application. *CES Transactions on Electrical Machines and Systems*, 7(4), 422-429.
47. Maheswari, K. S., Mayandi, K., Gnanaraj, S. J. P., & Appadurai, M. (2022). Effect of transparent glass cover material on double slope solar still productivity. *Materials Today: Proceedings*, 62, 5415-5419.
48. Darwin, S., Raj, E. F. I., Appadurai, M., & Thanu, M. C. (2023). A Detailed Study on Single Electron Transistors in Nano Device Technologies. In *Energy Systems Design for Low-Power Computing* (pp. 67-99). IGI Global.
49. Gnanaraj, S. J. P., Ramasamy, S., Karthick, M., Klinton, A. G., & Appadurai, M. (2022). Enhancing the concentric tube properties by optimizing operational parameters. *Materials Today: Proceedings*, 49, 3726-3730.
50. Prabhakar, M. M., Gnanaraj, S. J. P., Allasi, H. L., Leno, I. J., Endro, S., & Kanna, S. R. (2021). Mechanical property analysis on bamboo-glass fiber reinforced montmorillonite nano composite. *Materials Today: Proceedings*, 45, 6936-6940.
51. Kumar, M. M., Rajesh, S., Appadurai, M., & Gnanaraj, S. J. P. (2022). Performance enhancement of solar distillation system with internal modification. *Materials Today: Proceedings*, 62, 5452-5455.
52. Nirmala, D. A. R., Ramaswamy, S., Logesh, K., & Gnanaraj, S. J. P. (2022). Empirical study on risk mitigation for dairy supply chain management of Aavin Co-operative Milk Producers' Union Ltd. *Materials Today: Proceedings*, 49, 3657-3660.
53. Gnanaraj, S., Patrick, J., Ramachandran, S., & Logesh, K. (2017). A Review of Various Techniques used for the Improvement of Solar Still. *RESEARCH JOURNAL OF PHARMACEUTICAL BIOLOGICAL AND CHEMICAL SCIENCES*, 8(3), 1971-1979.
54. Joe Patrick Gnanaraj, S., & Ramachandran, S. (2022). Identification of operational parameter levels that optimize the production in solar stills with plain, corrugated, and compartmental basin. *Environmental Science and Pollution Research*, 29(5), 7096-7116.
55. Gnanaraj, S. J. P., Kavitha, R., & Kumar, M. K. (2023, November). IoT-Powered Flood Warning and Alert System: Innovations in Flood Detection and Notification. In *2023 International Conference on Sustainable Communication Networks and Application (ICSCNA)* (pp. 487-490). IEEE.
56. Subharaj, C., Logesh, K., Gnanaraj, S. J. P., Appadurai, M., & Vimalan, P. M. A. S. (2022). Design and development of Palmyra fruit pulp production equipment through sustainable approach. *Materials Today: Proceedings*, 68, 1762-1768.
57. Appadurai, M., Fantin Irudaya Raj, E., Darwin, S., & Jenish, I. (2020, December). Finite Element Analysis of Silicon Heat Sink with CNT Nanofluids for Microelectronics Applications. In *International Conference on Future technologies in Manufacturing, Automation, Design and Energy* (pp. 489-497). Singapore: Springer Nature Singapore.
58. Appadurai, M., Fantin Irudaya Raj, E., & Chithambara Thanu, M. (2023). Application of Nanofluids in Heat Exchanger and its Computational Fluid Dynamics. *Mathematics and Computer Science Volume 1*, 505-524.
59. Appadurai, M., Irudaya Raj, E. F., Thanu, M. C., & Pushparaj, T. L. (2023). Finite element analysis and computational fluid dynamic study of hybrid composite-based offshore wind turbines. *Materialwissenschaft und Werkstofftechnik*, 54(11), 1362-1377.
60. Augustine, M., Raj, E. F. I., Appadurai, M., & Balaji, M. (2023). Impact of silicon steel laminating materials in modified segmented rotor switched reluctance motor: electromagnetic and vibrational analysis. *Journal of Vibration Engineering & Technologies*, 1-16.
61. Chithambara Thanu, M., Appadurai, M., Fantin Irudaya Raj, E., & Lurthu Pushparaj, T. (2023). Experimental analysis of localized hybridization by means of adding woven polyester strip. *International Polymer Processing*, 38(4), 505-517.
62. Karthick, M., Gnanaraj, S. J. P., Appadurai, M., & Jeshurun, S. B. (2022). Productivity enhancement of a single slope solar still with energy storage medium. *Materials Today: Proceedings*, 60, 889-893.

63. Gnanaraj, S. J. P., & Velmurugan, V. (2022). Experimental investigation on the performance of modified single basin double slope solar stills. *International Journal of Ambient Energy*, 43(1), 206-215.
64. Thangam, C., Ramaswamy, S., Karthikeyan, C., & Muthukumar, N. (2022, April). Implementation of Barrel Shifter in Vedic Multiplier. In *2022 International Conference on Sustainable Computing and Data Communication Systems (ICSCDS)* (pp. 774-777). IEEE.
65. Gnanaraj, S. J. P., Ramachandran, S., & Christopher, D. S. (2018). Enhancing the productivity of double-slope single-basin solar still with internal and external modifications. *International Journal of Ambient Energy*, 39(8), 777-782.
66. Gnanaraj, S. J. P., Ramachandran, S., & Logesh, K. (2017). Enhancing the performance of solar still with solar pond. *Journal of Chemical and Pharmaceutical Science*, 10(1), 267-269.
67. Samuel, J. J. J., Ramadoss, R., Gunasekaran, K. N., Logesh, K., Gnanaraj, S. J. P., & Munaf, A. A. (2021). Studies on mechanical properties and characterization of carbon fiber reinforced hybrid composite for aero space application. *Materials Today: Proceedings*, 47, 4438-4443.
68. Kolappan, S., Manickam, I. N., Swikker, K. R. J., Gnanaraj, S. J. P., & Appadurai, M. (2022). Performance analysis of aircraft composite winglet. *Materials Today: Proceedings*, 62, 889-895.
69. Subharaj, C., Leno, I. J., Vivek, S., Gnanaraj, S. J. P., & Appadurai, M. (2022). Sustainable manufacturing system applying on eco-design products. *Materials Today: Proceedings*, 68, 1528-1535.
70. Raj, E. F. I., Manimala, K., & Appadurai, M. (2023). Differential Protection Scheme along with Backup Blockchain System. In *Smart and Power Grid Systems–Design Challenges and Paradigms* (pp. 135-156). River Publishers.
71. Pushparaj, T. L., Raj, E. F. I., Rani, E. F. I., & Appadurai, M. (2023). Synthesis of biogenic cerium oxide-supported osmium oxide nanoalloy from *Oldenlandia umbellata* L. plant extract for pharmacological applications. *Biomass Conversion and Biorefinery*, 1-15.
72. Balamurugan, A., Karthikeyan, K., Gnanaraj, S. J. P., & Muthukumar, N. (2022, April). Stability Analysis of Voltage in IEEE 145 Bus System by CPF using Dragonfly Algorithm. In *2022 International Conference on Sustainable Computing and Data Communication Systems (ICSCDS)* (pp. 778-783). IEEE.
73. Sivakumar, C. K., Robinson, Y., Prema, P., Gnanaraj, S. J. P., & Appadurai, M. (2022). Mechanical characteristics of aluminium alloy joints produced by friction stir welding. *Materials Today: Proceedings*, 62, 5620-5624.



INTERNATIONAL
STANDARD
SERIAL
NUMBER
INDIA



INTERNATIONAL JOURNAL OF INNOVATIVE RESEARCH

IN SCIENCE | ENGINEERING | TECHNOLOGY

 9940 572 462  6381 907 438  ijirset@gmail.com



www.ijirset.com

Scan to save the contact details