



e-ISSN: 2319-8753 | p-ISSN: 2347-6710

IJIRSET

International Journal of Innovative Research in
SCIENCE | ENGINEERING | TECHNOLOGY



INTERNATIONAL JOURNAL OF INNOVATIVE RESEARCH

IN SCIENCE | ENGINEERING | TECHNOLOGY

Volume 13, Issue 10, October 2024

ISSN INTERNATIONAL
STANDARD
SERIAL
NUMBER
INDIA

Impact Factor: 8.524

9940 572 462

6381 907 438

ijirset@gmail.com

www.ijirset.com

Secret Coded Communication using Li-Fi

Mr. D. Rama Krishna¹, M. Nanda Gokula², M. Srija³, L. Pranaya⁴

Associate Professor, Department of Electronics and Communication Engineering, Malla Reddy Engineering College
for Women, Hyderabad, Telangana, India¹

UG Scholar, Department of Electronics and Communication Engineering, Malla Reddy Engineering College for
Women, Hyderabad, Telangana, India^{2,3,4}

ABSTRACT: The rising interest for secure and high velocity correspondence arrangements has driven the investigation of Light Devotion (Li-Fi) innovation, which uses light for information transmission. This undertaking exhibits a mystery coded correspondence framework in view of Li-Fi, utilizing Arduino stages, LEDs, and light sensors to accomplish secure and solid information trade. An Arduino Nano and an Arduino Uno serve as the system's receivers and transmitters, respectively. An LED is used by the transmitter to encode data into light pulses that represent binary information by modulating the intensity of the light. A fast alternative to conventional radio frequency-based communication is this encoding technique.

I. INTRODUCTION

The essential target of this task is to make a solid correspondence framework that use Li-Fi innovation to encode and communicate information by means of noticeable light. Dissimilar to ordinary remote correspondence frameworks that depend on radio frequencies, Li-Fi uses light for information move, which can give improved security because of its view necessity and restricted range. Sensitive information is protected because it is difficult for unauthorized parties to intercept signals because of this property. By coordinating Arduino Uno and Arduino Nano with LEDs and LDRs, this task means to show a pragmatic and inventive way to deal with secure correspondence, offering a convincing answer for protection cognizant applications.

II. EXISTING SYSTEM

On the less than desirable end, the Arduino Nano, matched with a Light Reliant Resistor (LDR), capabilities as the gathering module. The LED's fluctuating light signals are translated back into electrical signals by the LDR. These signs are then handled by the Arduino Nano, which unravels the information to recreate the first message. This arrangement guarantees that the mystery message is precisely gotten and deciphered, exhibiting the viability of Li-Fi in keeping up with information honesty during transmission.

2.1 DISADVANTAGES

- Limited Range
- Requirement for Line of Sight
- Speed of Data Transfer
- Complexity of Setup

III. PROPOSED SYSTEM

Utilizing LiFi technology for safe communication between two devices is the primary focus of the design of the system. On the transmitter side, the Arduino Uno encodes the message into a parallel configuration. The LED is modulated by this binary code, resulting in the emission of light pulses that represent the encoded data. The Drove's brilliance and squinting examples relate to the twofold information, taking into account exact command over the communicated message. The LED operates within safe current limits thanks to the use of resistors, preventing damage and preserving signal integrity.

3.1 ADVANTAGES

- High Bandwidth Availability

- Improved Security
- Reduced Electromagnetic Interference
- High Data Transmission Rates

IV. LITERATURE SURVEY

4.1 Chatterjee, S., Agarwal, S., & Nath, A. (2015). Scope and challenges in light fidelity (LiFi) technology in wireless data communication. *International Journal of Innovative Research in Advanced Engineering (IJIRAE)*, 2(6), 1-9.

ABSTRACT

The cutting-edge method of wireless data communication known as Light Fidelity (Li-Fi) makes use of visible light to transmit data. This paper investigates the extension and difficulties related with Li-Fi innovation, accentuating reforming the field of remote communication potential. When compared to conventional radio frequency (RF) systems, Li-Fi provides enhanced security and data transmission rates at a high speed. The innovation use light-discharging diodes (LEDs) to communicate information, making it resistant to electromagnetic obstruction and decreasing the range blockage looked by RF frameworks. The implementation of Li-Fi, on the other hand, faces a number of difficulties, including the need for direct line-of-sight, a limited range, and integration with existing infrastructure. This study discusses potential solutions and advancements that could facilitate the broader adoption of Li-Fi technology as well as provides an in-depth analysis of these difficulties. According to the findings, although Li-Fi holds a lot of promise for future wireless communication, it will be essential to address its current limitations if it is to be successfully implemented and integrated into modern communication networks.

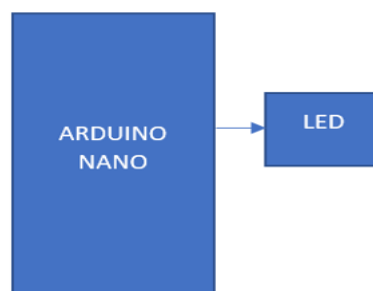
4.2. Rani, L. S., Sudhakar, K., and Kumar, S. V. Arising Innovation Li-Fi over Wi-Fi. 2(3), *IJIES (International Journal of Inventive Engineering and Sciences)*.

ABSTRACT

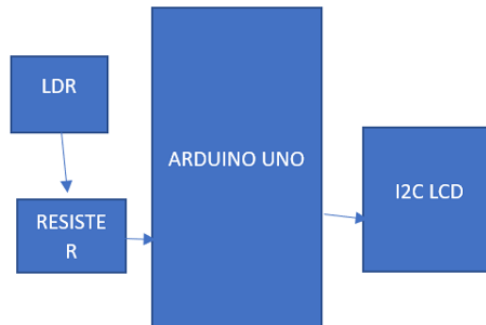
The fast development of remote correspondence advances has provoked critical interest in Light Loyalty (Li-Fi) as a promising option in contrast to customary Wi-Fi frameworks. This paper compares the capabilities and advantages of Li-Fi, a new technology, to Wi-Fi. Li-Fi uses noticeable light correspondence (VLC) through light-emanating diodes (LEDs) to accomplish rapid information transmission, offering better data transfer capacity and expanded security looked at than ordinary radio recurrence (RF) strategies. The review features the vital advantages of Li-Fi, including its resistance to electromagnetic obstruction, decreased idleness, and upgraded information move rates. Additionally, it addresses Li-Fi's drawbacks, such as its limited coverage area and reliance on direct line-of-sight. The paper gives an exhaustive examination of how Li-Fi innovation can supplement and possibly outperform Wi-Fi in specific applications, offering bits of knowledge into its ongoing improvement status and future possibilities. The discoveries recommend that while Li-Fi presents an extraordinary progression in remote correspondence, beating its difficulties is fundamental for its broad reception and viable execution.

V. BLOCK DIAGRAM

TX



RX



VI. HARDWARE REQUIREMENTS

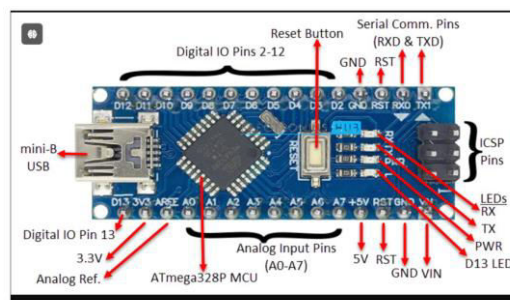
- ARDUINO NANO
- ARDUINO UNO
- LED
- LDR SENSOR
- RESISTOR
- I2C LCD

VII. SOFTWARE REQUIREMENT

- ARDUINO IDE

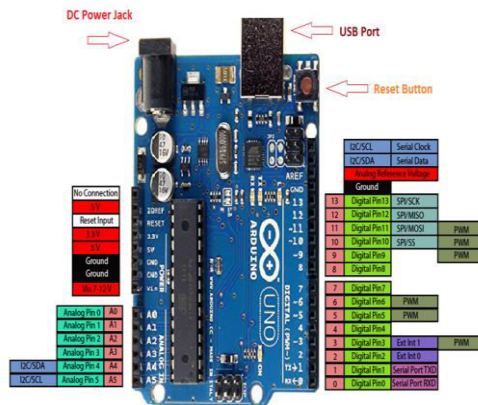
VIII. HARDWARE DISCTRIPTION

8.1 ARDUINO NANO



Based on the ATmega328P microcontroller, Arduino.cc created the compact, open-source microcontroller board known as the Arduino Nano. Although it has a smaller form factor, its functionality is comparable to that of the Arduino Uno. There are a number of digital and analog I/O pins on the Nano board that can be connected to various expansion boards and circuits. It incorporates 14 Computerized pins, 8 Simple pins, and can be modified utilizing the Arduino IDE through a Scaled down B USB link. The board can be ridden out the USB association or by means of an outside 7-12V power source through the VIN pin. It runs on voltages between 7 and 12 volts.

8.2 ARDUINO UNO



The Arduino Uno is an open-source microcontroller board in light of the Central processor ATmega328P microcontroller and created by Arduino.cc. Sets of digital and analog input/output (I/O) pins are provided on the board, allowing it to interface with various expansion boards (shields) and other circuits. The board is programmable using the Arduino IDE (Integrated Development Environment) via a type B USB cable and has 14 digital and 6 analog pins. It very well may be controlled by the USB link or by an outer 9-volt battery, however it acknowledges voltages somewhere in the range of 7 and 20 volts. It is likewise like the Arduino Nano and Leonardo. You can guide your board by sending a bunch of directions to the microcontroller on the board. The Arduino Software (IDE), which is based on Processing, and the Arduino programming language are used for this purpose

8.3 LED

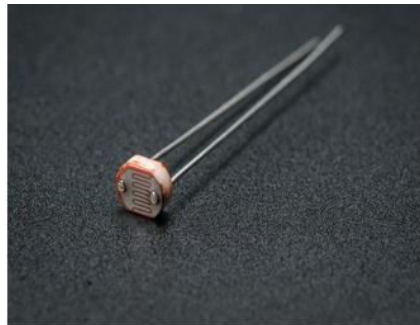
The lighting discharging diode is a p-n intersection diode. It is a semiconductor of a special kind and a specially doped diode. At the point when the light emanates in the forward one-sided, then it is known as a light-discharging diode.



Light Emitting Diode

The lighting discharging diode is a p-n intersection diode. It is a semiconductor of a special kind and a specially doped diode. At the point when the light emanates in the forward one-sided, then it is known as a light-discharging diode. The LED (light-emitting diode) symbol is similar to the diode symbol with the exception of two small arrows that indicate the emission of light. The anode (+) and the cathode (-) are the LED's two terminals.

8.4 LDR SENSOR



A device known as a photo resistor or a light dependent resistor (LDR) is one whose resistivity is influenced by the incoming electromagnetic radiation. As a result, they are devices that detect light. They are also referred to as photocells, photo conductive cells, or photo conductors.

They are comprised of semiconductor materials having high opposition. A LDR can be represented by a number of different symbols, one of which can be found in the image below. Light falling on it is indicated by the arrow.

8.5 RESISTER



A latent electrical part with two terminals that are utilized for one or the other restricting or managing the progression of electric flow in electrical circuits. The primary reason for resistor is to decrease the ongoing stream and to bring down the voltage in a specific piece of the circuit. Resistance is the property of opposing electron flow in a conductor or semiconductor. A resistor is a type of electronic part that prevents electrons from moving through a circuit. These resistors must have been soldered onto printed circuit boards in your electronic devices.

8.6 I2C LCD



A two-line, 16-character LCD module with an I2C daughter board is the I2C 1602 LCD module. To function, the I2C interface only requires two data connections: +5 VDC and GND. The PCF8574 I2C chip in the I2C Module translates I2C serial data into parallel data for the LCD display. These modules are right now provided with a default I2C address of either 0x27 .

IX. SOFTWARE REQUIREMENTS

9.1 ARDUINO IDE

Programs composed utilizing Arduino Programming (IDE) are called draws. The file extension.ino is used to save these sketches, which were written in the text editor. The editor has tools for searching and replacing text as well as cutting

and pasting. The message region gives input while saving and trading and furthermore shows blunders. The Arduino Software (IDE) outputs text to the console, which includes all of the information, including complete error messages. The base righthand corner of the window shows the designed board and sequential port. You can open the serial monitor, create, open, and verify programs, and upload and upload programs using the toolbar buttons.

ArduinoSoftware(IDE)



X. CONCLUSION

A novel approach to secure data transmission is demonstrated by the implementation of secret coded communication with Li-Fi technology, an Arduino Uno, LEDs, Arduino Nano, LDRs, resistors, and a display. The Li-Fi framework successfully uses noticeable light correspondence, utilizing LEDs to communicate encoded signals and LDRs to get them, guaranteeing an elevated degree of safety through light-based information move. The display provides clear and immediate feedback on the status of the communication, and the Arduino Nano and Arduino Uno work together to manage the encoding, decoding, and processing of the transmitted data. In addition to highlighting the potential of Li-Fi for secure and efficient data transfer, this project demonstrates the viability of integrating straightforward yet efficient components to achieve reliable communication. To further advance this technology, future enhancements may investigate increasing data rates, expanding communication range, and enhancing error handling.

REFERENCES

1. S. Chatterjee, S. Agarwal, and A. Nath Light fidelity (LiFi) technology's scope and obstacles in wireless data communication 2(6), 1–9. This article appears in the International Journal of Innovative Research in Advanced Engineering (IJIRAE).
2. Rani, L. S., Sudhakar, K., and Kumar, S. V. Arising Innovation Li-Fi over Wi-Fi. 2(3), IJIES (International Journal of Inventive Engineering and Sciences).
3. Nikshep, K. N., Sowmya, G. (2016). Voice and information correspondence utilizing Li-Fi. 4(10).
4. Kumar, S. S., S. P. Pushkala, M. Renuka, V. Muthuraman, M. V. Abhijith, and Li-Fi based high information rate noticeable light correspondence for information and sound transmission. 10(2), pp. 83-97, International Journal of Electronics and Communication Engineering.
5. Dahnil, D. P., Selamat, S., Bakar, K. A., Hassan, R., and Ismail, A. G. (2018). An innovative approach to estimating the battery's lifetime made use of an experimental testbed for zigbee wireless technology. The eighth issue of the International Journal of Advanced Science, Engineering, and Information Technology is titled "26542662."
6. Knipp, D., M. Z. Afgani, H. Haas, H. Elgala, and others OFDM-based visible light communication In the Second International Conference on Testbeds and Research Infrastructures for the Development of Networks and Communities, which took place in 2006, 2006 TRIDENTCOM (pp. 6-pp). IEEE.
7. Islam, M. S., Tsonev, D., and Haas, H. (2015, June). A summed up answer for the ghastly effectiveness misfortune in unipolar optical OFDM-based frameworks. The IEEE International Conference on Communications (ICC) took place in 2015 (pp. 5126-5131). IEEE.



INTERNATIONAL
STANDARD
SERIAL
NUMBER
INDIA



INTERNATIONAL JOURNAL OF INNOVATIVE RESEARCH

IN SCIENCE | ENGINEERING | TECHNOLOGY

 9940 572 462  6381 907 438  ijirset@gmail.com



www.ijirset.com

Scan to save the contact details